

This Owner's Manual is provided and hosted by [Appliance Factory Parts](#).



# PANASONIC 658 Owner's Manual

[Shop genuine replacement parts for PANASONIC 658](#)



[Find Your PANASONIC Vacuum Cleaner Parts - Select From 605 Models](#)

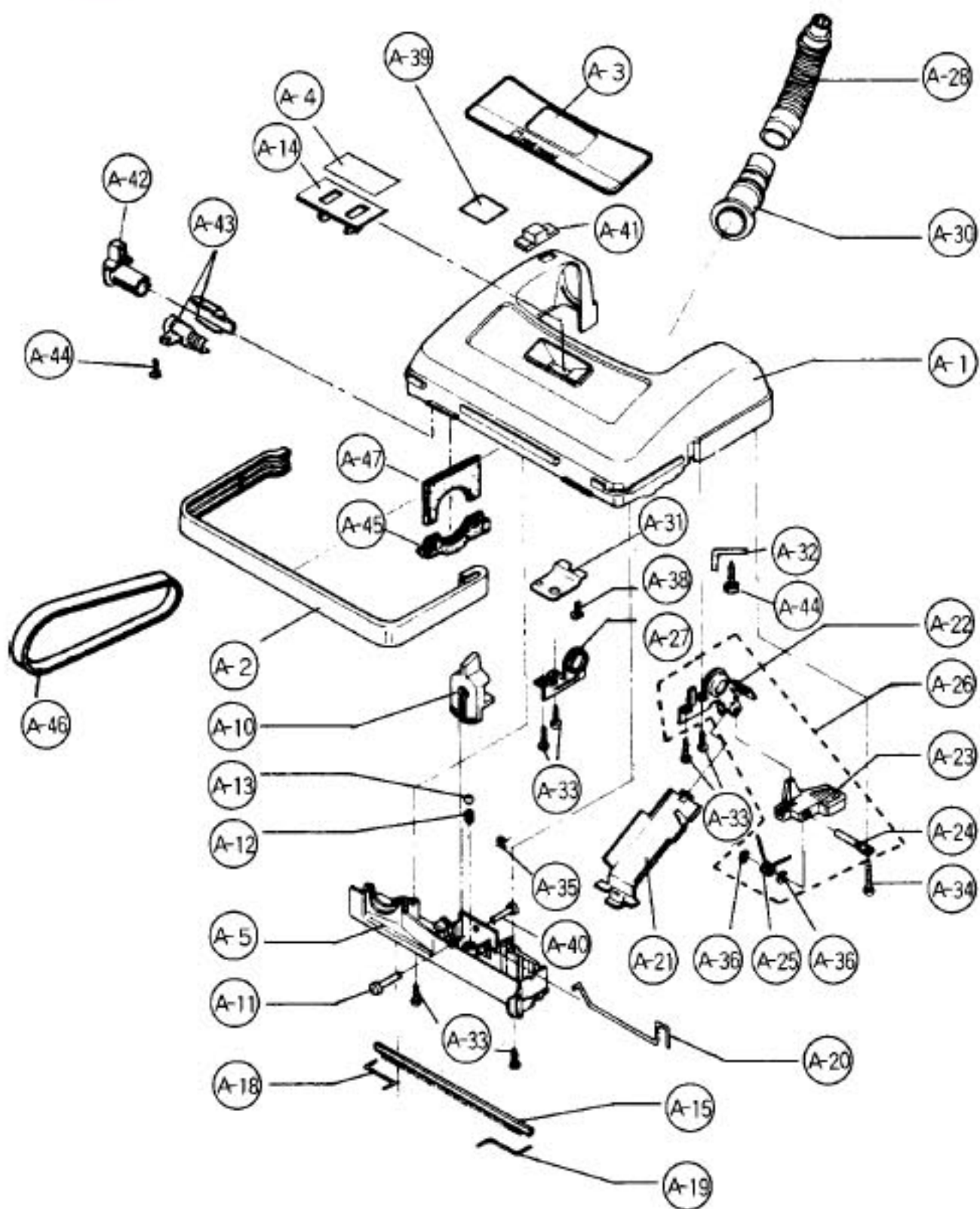
----- Manual continues below -----

Models: MC-655, MC-658

## Body Unit

(MC-658 Only)

(MC-655 Only)



- 1 ..... P-010 ..... Nozzle Housing
- 2 ..... P-0100 ..... Furniture Guard
- 3 ..... N/A ..... Top Mark, 655
- 3 ..... N/A ..... Top Mark, 658

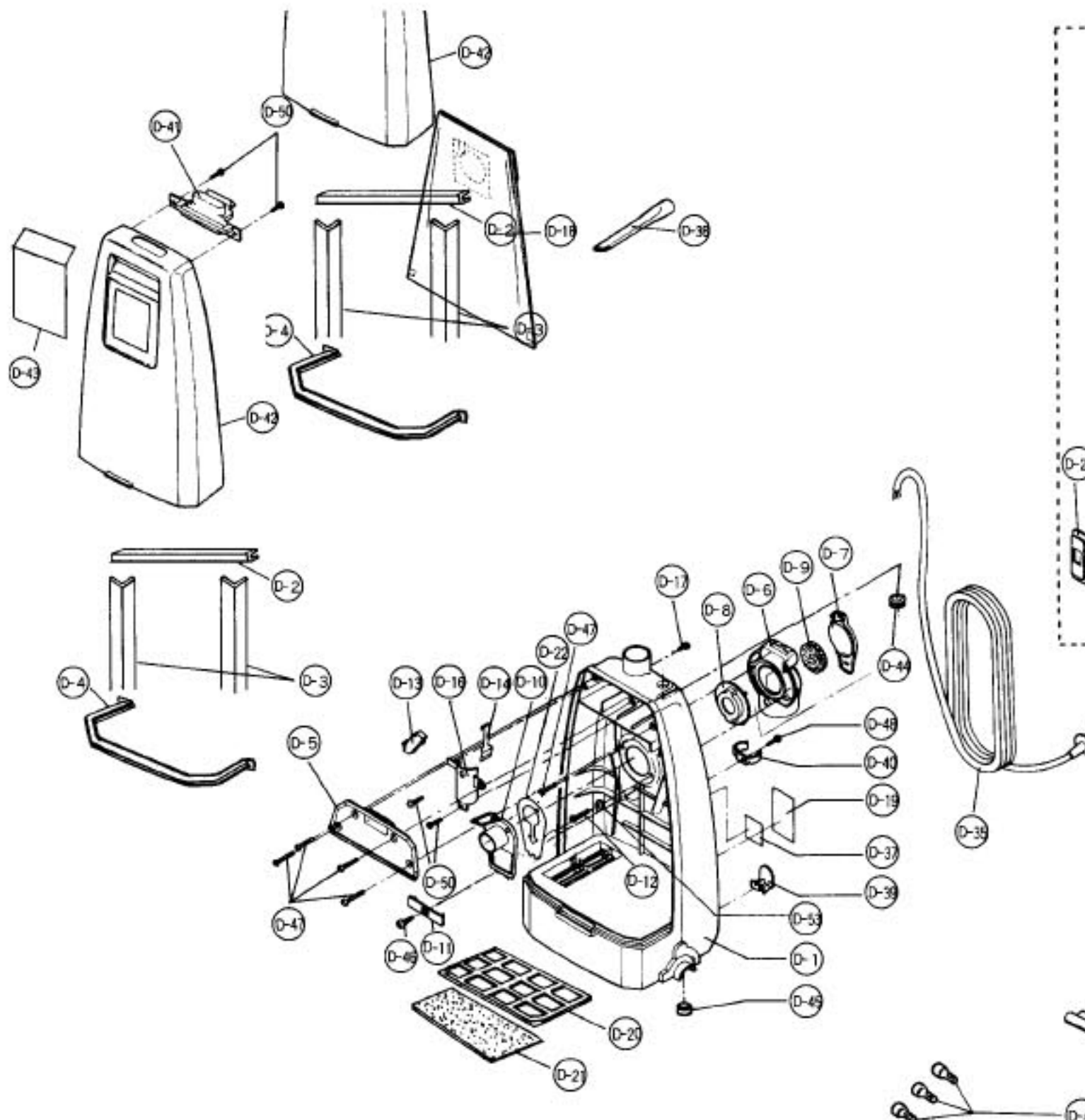
- 16 ..... P-364 ..... Roller, floor nozzle, 658
- 17 ..... P-501 ..... Shaft, roller, floor nozzle, 658
- 18 ..... P-5200 ..... Spring (A), 658
- 19 ..... P-5300 ..... Spring (B), 658

- 33 ..... P-46
- 34 ..... P-43
- 35 ..... P-3
- 36 ..... P-0



Models: MC-655, MC-658

## Handle & Dust Compartment



D1 ..... P-330 ..... Dust Compartment  
 D2 ..... P-733 ..... Packing, dust box  
 D3 ..... P-743 ..... Dust Packing  
 D4 ..... P-793 ..... Body Packing, lower  
 D5 ..... P-180 ..... Switch Cover  
 D6 ..... P-807 ..... Suction Inlet

D18 ..... 259 ..... Paper Bag, 3 pack, 50/cs (R)  
 D18 ..... N/A ..... Paper Bag, 12 pack, 25/cs (R)  
 D20 ..... P-313 ..... Filter Tension  
 D21 ..... P-303 ..... Filter  
 D22 ..... N/A ..... Handle Assy, complete, 655  
 D23 ..... N/A ..... Handle Assy, complete, 658

D36 ..... P-3  
 D38 ..... N/A  
 D39 ..... N/A  
 D40 ..... P-5  
 D41 ..... P-5