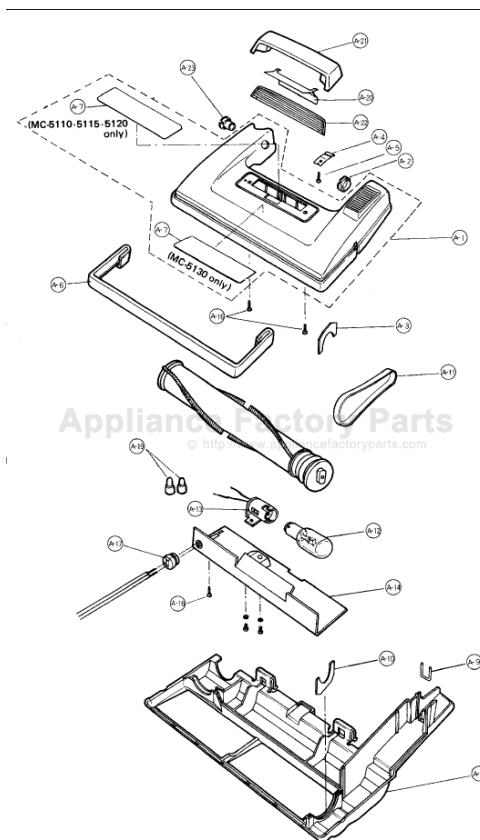


This Owner's Manual is provided and hosted by [Appliance Factory Parts](http://ApplianceFactoryParts.com).



# PANASONIC 5120 Owner's Manual

[Shop genuine replacement parts for PANASONIC 5120](#)



[Find Your PANASONIC Vacuum Cleaner Parts - Select From 605 Models](#)

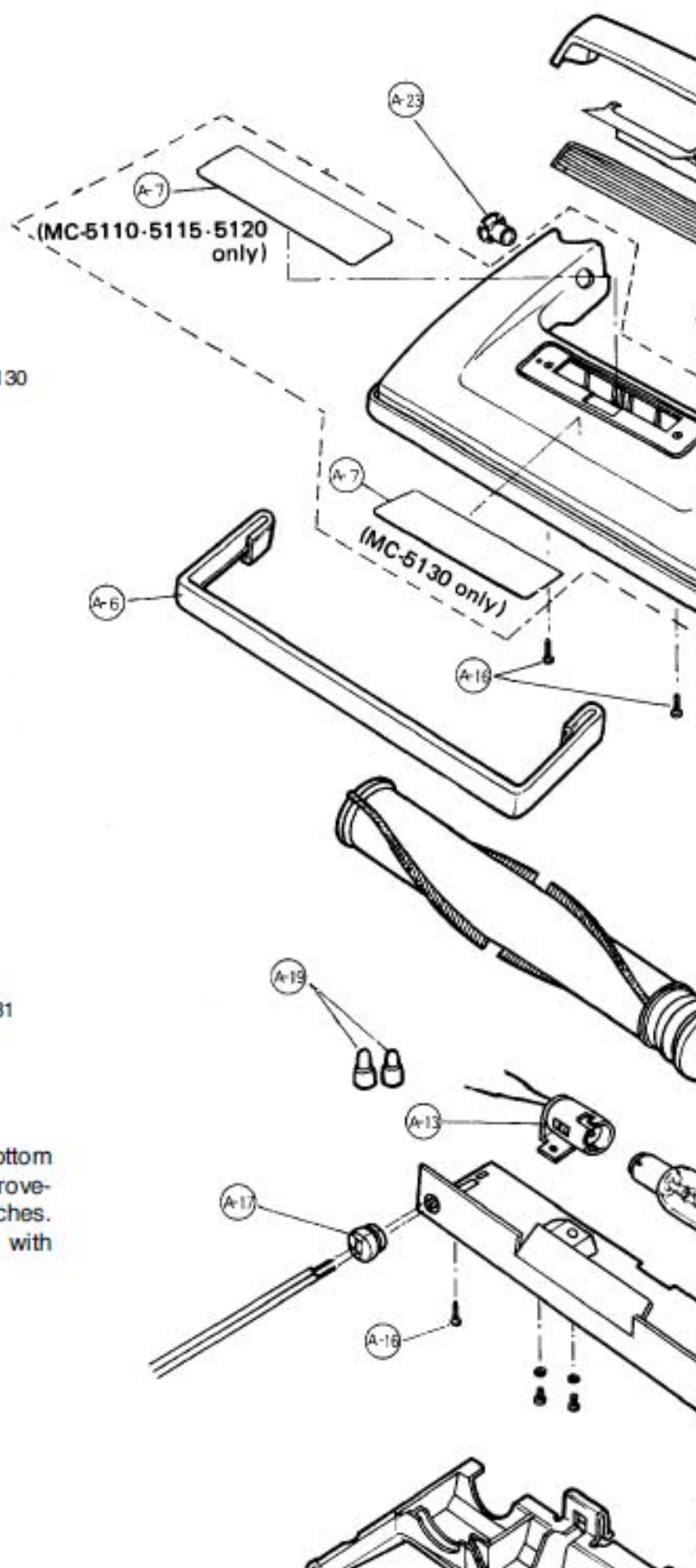
----- Manual continues below -----

# PANASONIC

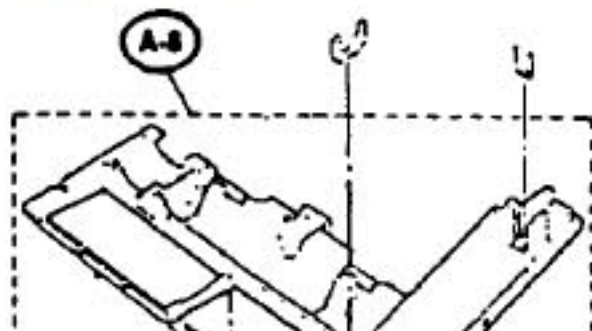
Models: MC-5110, MC-5111, MC-5115, MC-5116, MC-5120, MC-5121, MC-5122, MC-5123, MC-5124, MC-5130, MC-5131

## Nozzle Housing

|     |        |                                   |
|-----|--------|-----------------------------------|
| A1  | P-0101 | Nozzle Housing, 5110              |
| A1  | P-0190 | Nozzle Housing, 5115              |
| A1  | P-0111 | Nozzle Housing, 5120              |
| A1  | P-0120 | Nozzle Housing, 5130              |
| A1  | P-0121 | Nozzle Housing, 5111              |
| A1  | P-0122 | Nozzle Housing, 5116              |
| A1  | P-0123 | Nozzle Housing, 5121              |
| A1  | P-0124 | Nozzle Housing, 5131              |
| A2  | P-78   | Plastic Holder                    |
| A3  | P-81   | Tight Packing                     |
| A4  | P-58   | Pedal Spring                      |
| A5  | P-416  | Screw, 10 pk                      |
| A6  | P-1012 | Furniture Guard, 5110,5120,5130   |
| A6  | N/A    | Furniture Guard, 5115             |
| A6  | P-1005 | Furniture Guard, 5111             |
| A6  | P-1006 | Furniture Guard, 5116             |
| A6  | P-1007 | Furniture Guard, 5121,5131        |
| A7  | P-0200 | Top Mark, 5110                    |
| A7  | P-0291 | Top Mark, 5115                    |
| A7  | P-0211 | Top Mark, 5120                    |
| A7  | N/A    | Top Mark, 5130                    |
| A7  | P-0221 | Top Mark, 5111                    |
| A7  | P-0222 | Top Mark, 5116                    |
| A7  | N/A    | Top Mark, 5121                    |
| A7  | P-0224 | Top Mark, 5131                    |
| A8  | P-9101 | Bottom Plate Assy, new style      |
| A9  | P-4303 | Belt Cover                        |
| A10 | P-7500 | Body Packing                      |
| A11 | P-2287 | Belt, 2 pack                      |
| A11 | P-200  | Belt, sold each (R)               |
| A12 | MP-25K | Bulb, 25 watt (R)                 |
| A13 | N/A    | Lamp Holder                       |
| A14 | P-8520 | Bulb Supporter                    |
| A16 | P-416  | Screw, 10 pk                      |
| A17 | SS-34  | Wire Bushing, sold each (R)       |
| A19 | SS-71B | Wire Nut, 100 pack (R)            |
| A20 | P-842  | Reflection Plate                  |
| A21 | P-8620 | Supporter, reflection plate       |
| A21 | P-8621 | Supporter, reflection plate, 5131 |
| A22 | P-2120 | Window                            |
| A23 | P-2500 | Shaft, plastic                    |



Early production 5100 series used a one piece bottom plate with molded latches. There has been an improvement on current production featuring replaceable latches. Early bottom plates that break, must be replaced with bottom plate # P-2702.



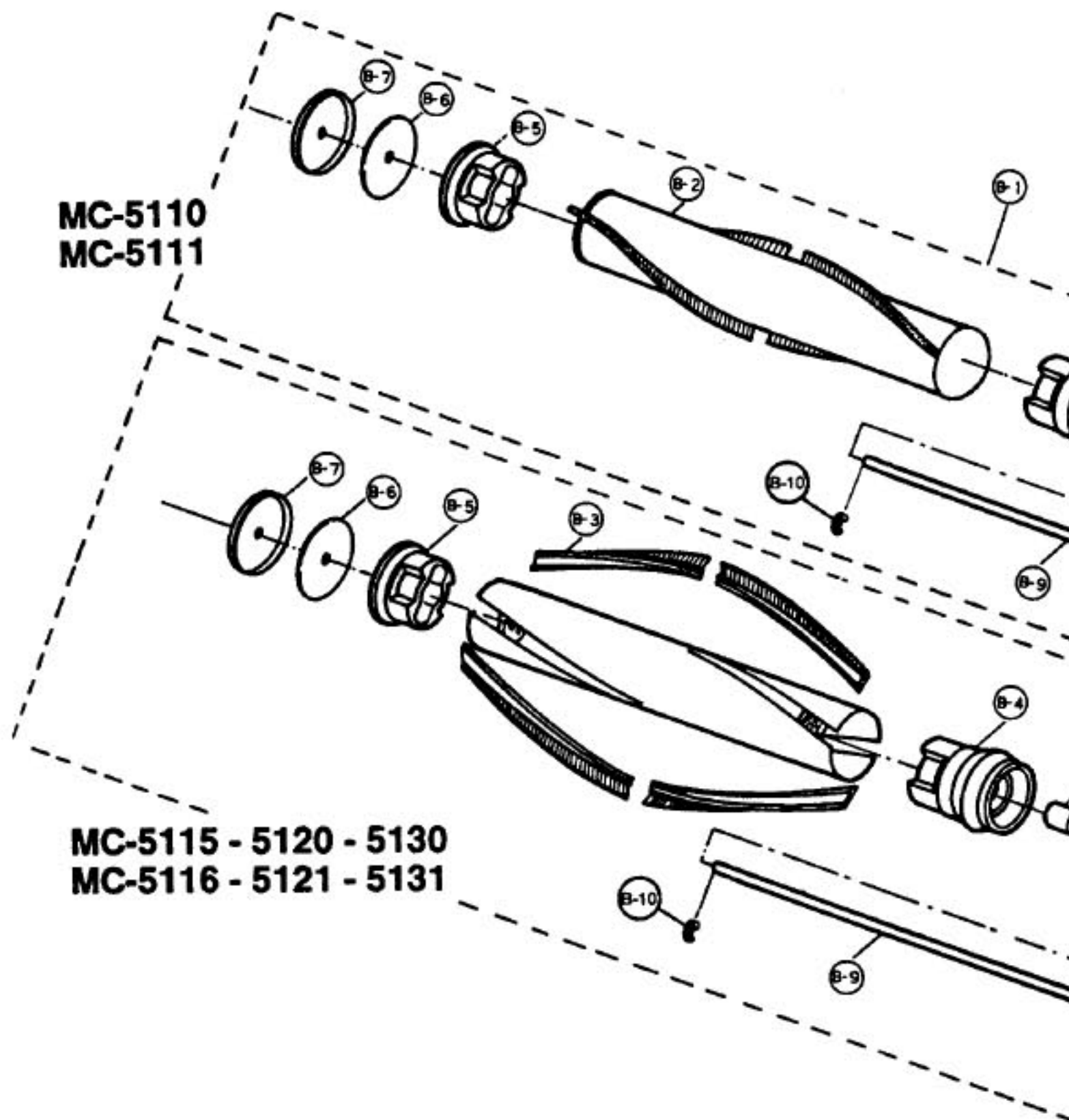
# PANASONIC

Models: MC-5110, MC-5111, MC-5115, MC-5116, MC-5120, MC-5121, MC-5130, MC-5131

## Agitator Assembly

MC-5110  
MC-5111

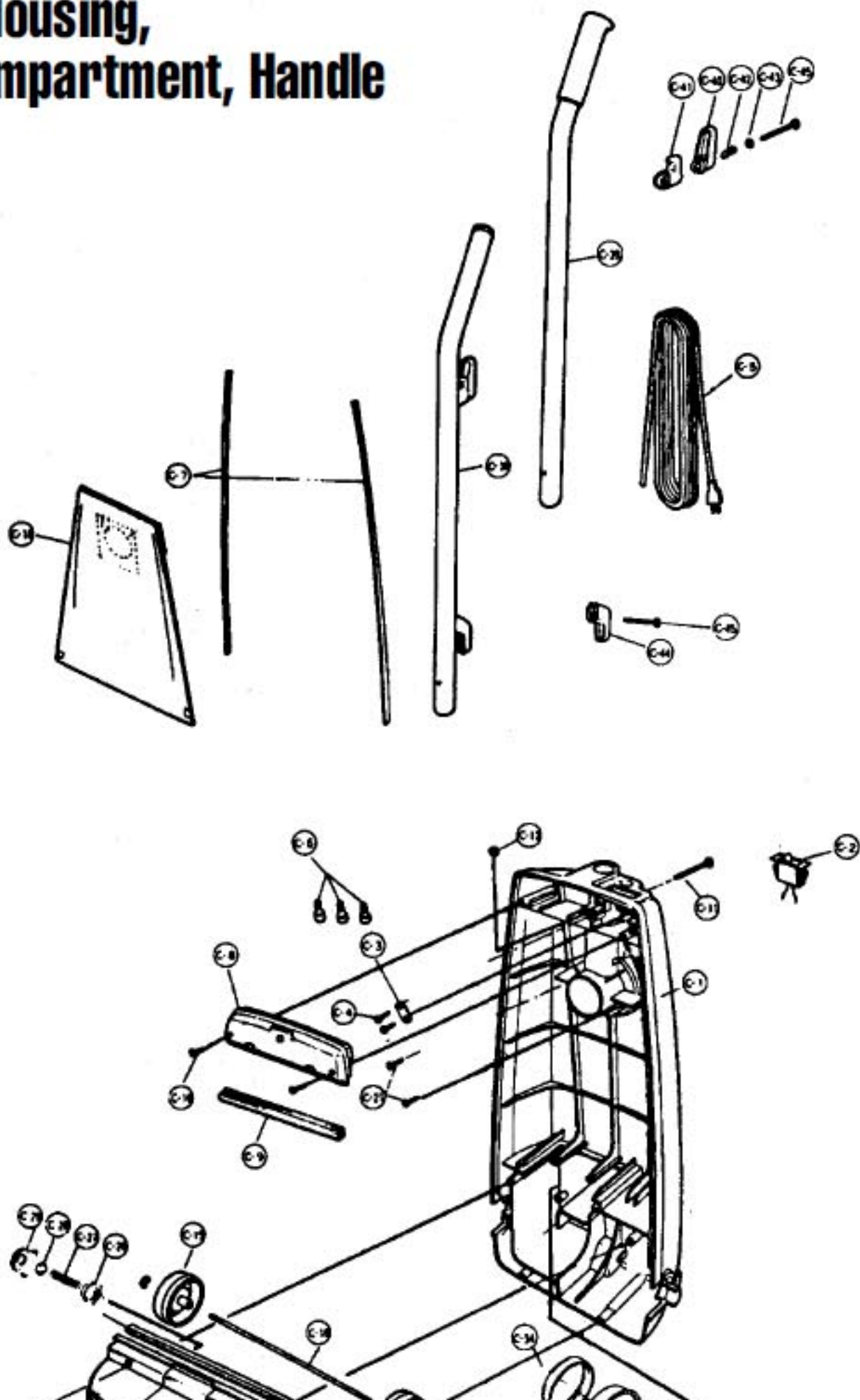
MC-5115 - 5120 - 5130  
MC-5116 - 5121 - 5131



# PANASONIC

Models: MC-5110, MC-5111, MC-5115, MC-5116, MC-5120, MC-5121, MC-5122

## Motor Housing, Dust Compartment, Handle



# PANASONIC

Models: MC-5110, MC-5111, MC-5115, MC-5116, MC-5120, MC-5121, MC-51

## Motor Housing, Dust Compartment, Handle

|     |         |  |     |        |              |
|-----|---------|--|-----|--------|--------------|
| C1  | P-400   | Dust Compartment                       | C38 | P-333  | Protector Fl |
| C1  | P-4002  | Dust Compartment, 5111,5116,5121, 5131 | C39 | P-6400 | Handle, 51   |
| C2  | H-339   | Switch, on/off (R)                     | C39 | P-6410 | Handle, 51   |
| C3  | P-622   | Cord Stopper                           | C39 | P-6411 | Handle, 51   |
| C4  | P-416   | Screw, 10 pk                           | C39 | P-6412 | Handle, 51   |
| C5  | MP-225  | Cord, 20 ft, white (R)                 | C39 | P-6401 | Handle, 51   |
| C5  | MP-230  | Cord, 30 ft, white (R)                 | C39 | P-6415 | Handle, 51   |
| C6  | SS-71B  | Wire Nut, 100 pack (R)                 | C39 | P-6416 | Handle, 51   |
| C7  | P-66    | Gasket, rubber                         | C39 | P-6420 | Handle, 51   |
| C8  | P-031   | Switch Cover                           | C40 | P-5337 | Cord Hook,   |
| C8  | P-0304  | Switch Cover, 5111,5116,5121,5131      | C40 | P-5301 | Cord Hook,   |
| C9  | P-73    | Gasket, rubber                         | C40 | P-5302 | Cord Hook,   |
| C10 | P-416   | Screw, 10 pk                           | C40 | P-5303 | Cord Hook,   |
| C11 | P-7301  | Screw, handle                          | C41 | P-5501 | Cord Hook    |
| C12 | P-2117  | Nut                                    | C41 | P-5503 | Cord Hook,   |
| C13 | P-3200  | Filter Supporter                       | C41 | P-5500 | Cord Hook,   |
| C14 | P-375   | Secondary Filter                       | C41 | P-5502 | Cord Hook,   |
| C15 | P-0102  | Roller                                 | C42 | P-7670 | Spring, cor  |
| C15 | P-0107  | Roller, 5111,5116,5121,5131            | C43 | P-587  | Washer       |
| C16 | P-161   | Shaft, roller                          | C44 | P-5407 | Cord Hook,   |
| C17 | P-05    | E-Clip, 30 pk                          | C44 | P-541  | Cord Hook,   |
| C18 | P-115P  | Paper Bag, type "U", 3 pack            | C44 | P-543  | Cord Hook,   |
| C18 | P-115PT | Paper Bag, type "U", 12 pack           | C45 | P-430  | Screw        |
| C18 | 253     | Paper Bag, type "U", 3 pack (R)        | C46 | P-606  | Dust Cover   |
| C18 | 253-12  | Paper Bag, type "U", 12 pack (R)       | C46 | P-602  | Dust Cover   |
| C18 | MF11    | Paper Bag, microfiltration, 3 pack (R) | C46 | P-6020 | Dust Cover   |
|     | P-9923  | Cloth Bag, w/ slide, blue              | C46 | P-6024 | Dust Cover   |
|     | P-55    | Cloth Bag, w/ zipper (R)               | C46 | P-6025 | Dust Cover   |
| C19 | P-607   | Suction Inlet                          | C47 | P-1122 | Indicator Pl |
| C19 | P-6075  | Suction Inlet, 5111,5116,5121,5131     |     | P-2121 | Omamenta     |
| C20 | P-0271  | Cover                                  |     | P-2122 | Omamenta     |
| C20 | P-02712 | Cover, 5111,5116,5121,5131             |     | P-1121 | Vac Gauge    |
| C21 | P-416   | Screw, 10 pk                           |     | P-1123 | Vac Gauge    |
| C22 | P-091   | Motor Case                             | C48 | P-9300 | Packing, in  |
| C22 | P-0901  | Motor Case, 5111,5116,5121,5131        | C49 | P-1720 | Indicator Ca |
| C23 | P-201   | Packing, rear cover                    | C50 | P-4212 | Spring, indi |
| C24 | P-195   | Packing, motor case                    | C51 | P-0368 | Indicator Le |
| C25 | P-416   | Screw, 10 pk                           | C52 | P-1520 | Indicator Pi |
| C26 | P-6921  | Protector                              | C53 | P-4100 | Screw        |
| C27 | P-7000  | Spring, protector                      | C54 | P-3403 | Nozzle Hos   |
| C28 | P-6820  | Protector Case                         | C54 | P-3404 | Nozzle Hos   |
| C29 | P-182   | Supporter, protector                   |     |        |              |
| C30 | P-441   | Lead Wire                              |     |        |              |
| C31 | P-926   | Motor                                  |     |        |              |
| C32 | P-272   | Carbon Brush, 5111,5116,5121,5131      |     |        |              |