

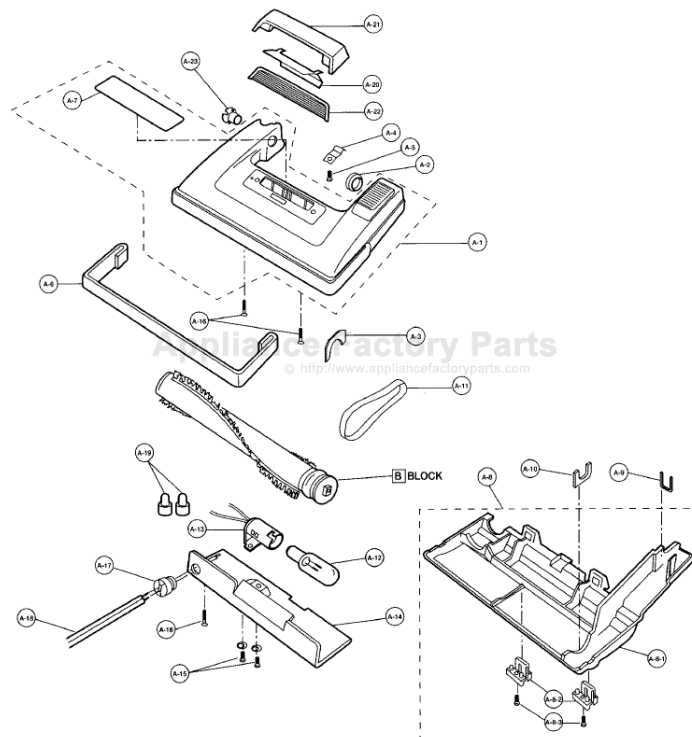
This Owner's Manual is provided and hosted by [Appliance Factory Parts](http://www.appliancefactoryparts.com).



PANASONIC 5190 Owner's Manual

[Shop genuine replacement parts for PANASONIC 5190](#)

Nozzle Housing



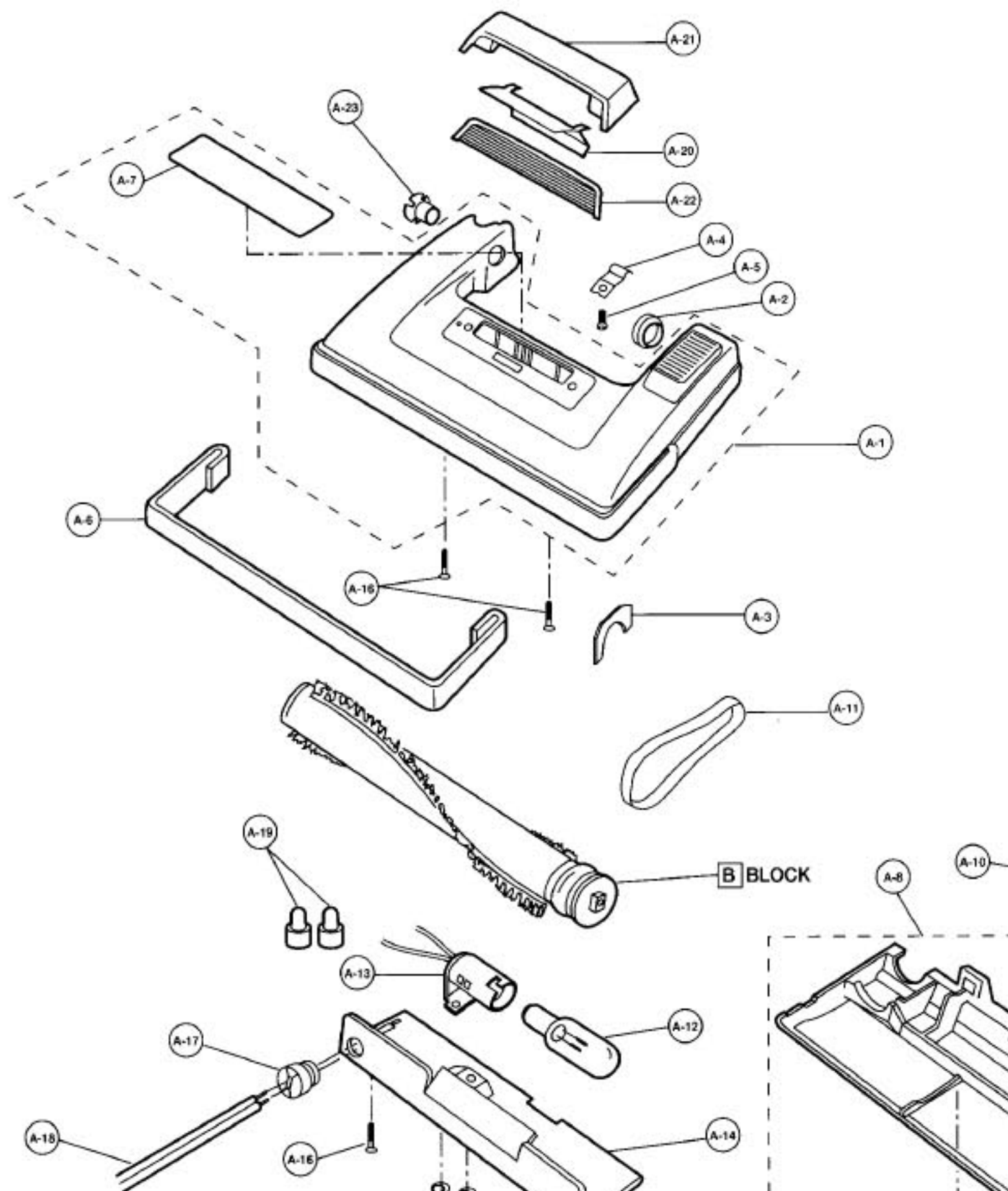
[Find Your PANASONIC Vacuum Cleaner Parts - Select From 605 Models](#)

----- Manual continues below -----

PANASONIC

Models: MC-5140, MC-5150, MC-5155, MC-5190, MC-5340, MC-5995

Nozzle Housing

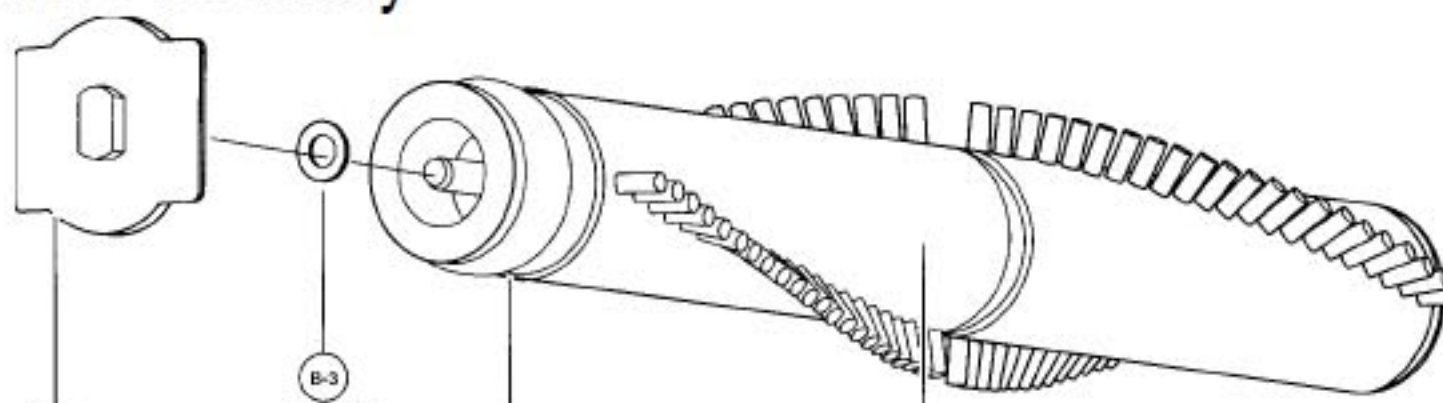


PANASONIC

Models: MC-5140, MC-5150, MC-5155, MC-5190, MC-5340, MC-5995

| | | | | | |
|-----|----------|----------------------------------|-----|----------|-----------------|
| A1 | P-0103 | Nozzle Housing, 5140 | A13 | P-938 | Lamp Holder, |
| A1 | P-010301 | Nozzle Housing, 5150 | A13 | P-93001 | Lamp Socket, |
| A1 | P-010309 | Nozzle Housing, 5155 | A13 | P-9367 | Lamp Socket, |
| A1 | P-000072 | Nozzle Housing, 5190 | A14 | P-85210 | Bulb Supporter, |
| A1 | P-000221 | Nozzle Housing, 5340 | A15 | N/A | Screw, 5155 |
| A1 | P-000257 | Nozzle Housing, 5995 | A15 | P-000276 | Screw, 5340 |
| A2 | P-78 | Plastic Holder | A16 | P-000132 | Screw, 5155 |
| A3 | P-81 | Tight Packing | A16 | P-00932 | Screw, 5340 |
| A4 | P-58 | Pedal Spring | A17 | P-2423 | Wire Bushing, |
| A5 | P-000132 | Screw | A18 | P-3820 | Wire Cord, lea |
| A6 | P-10008 | Furniture Guard, 5140 | A18 | P-000275 | Wire Cord, lea |
| A6 | P-1000 | Furniture Guard, 5150 | A19 | P-0038 | Wire Connecto |
| A6 | P-10009 | Furniture Guard, 5155 | A20 | P-000623 | Reflection Pla |
| A6 | P-10008 | Furniture Guard, 5190, 5340 | A20 | P-10109 | Reflector, 599 |
| A6 | P-10107 | Furniture Guard, 5995 | A21 | P-86210 | Supporter, refl |
| A7 | P-02001 | Top Mark, 5140 | A22 | P-2120 | Window, 5155 |
| A7 | P-02002 | Top Mark, 5150 | A23 | P-2500 | Shaft, plastic |
| A7 | P-02003 | Top Mark, 5155 | | P-000076 | Nozzle Hose, |
| A7 | P-000090 | Top Mark, 5190 | | P-7500 | Lower Plate P |
| A7 | P-000222 | Top Mark, 5340 | | P-000223 | Side Plate, 53 |
| | P-10105 | Window, 5995 | | P-000095 | Frame, 5995 |
| A8 | P-9113 | Lower Plate Assembly | | P-000010 | Pedal Spring, |
| A8 | P-000075 | Lower Plate Assembly, 5190, 5340 | | P-4720 | Pedal, 5995 |
| A8 | P-000113 | Lower Plate Assembly, 5995 | | P-000132 | Screw, frame |
| | P-2713 | Lower Plate Only, 5190, 5340 | | P-00008 | Shaft, pedal, 5 |
| A82 | P-0800 | Latch | | | |
| A83 | P-000132 | Screw | | | |
| A9 | P-43 | Belt Cover | | | |
| A10 | P-7500 | Body Packing | | | |
| A10 | P-81 | Body Packing, 5190 | | | |
| A11 | P-2287 | Belt, 2 pack | | | |
| A11 | P-200 | Belt, sold each (R) | | | |
| A12 | P-2810 | Bulb, 5155, 5340, 5995 | | | |

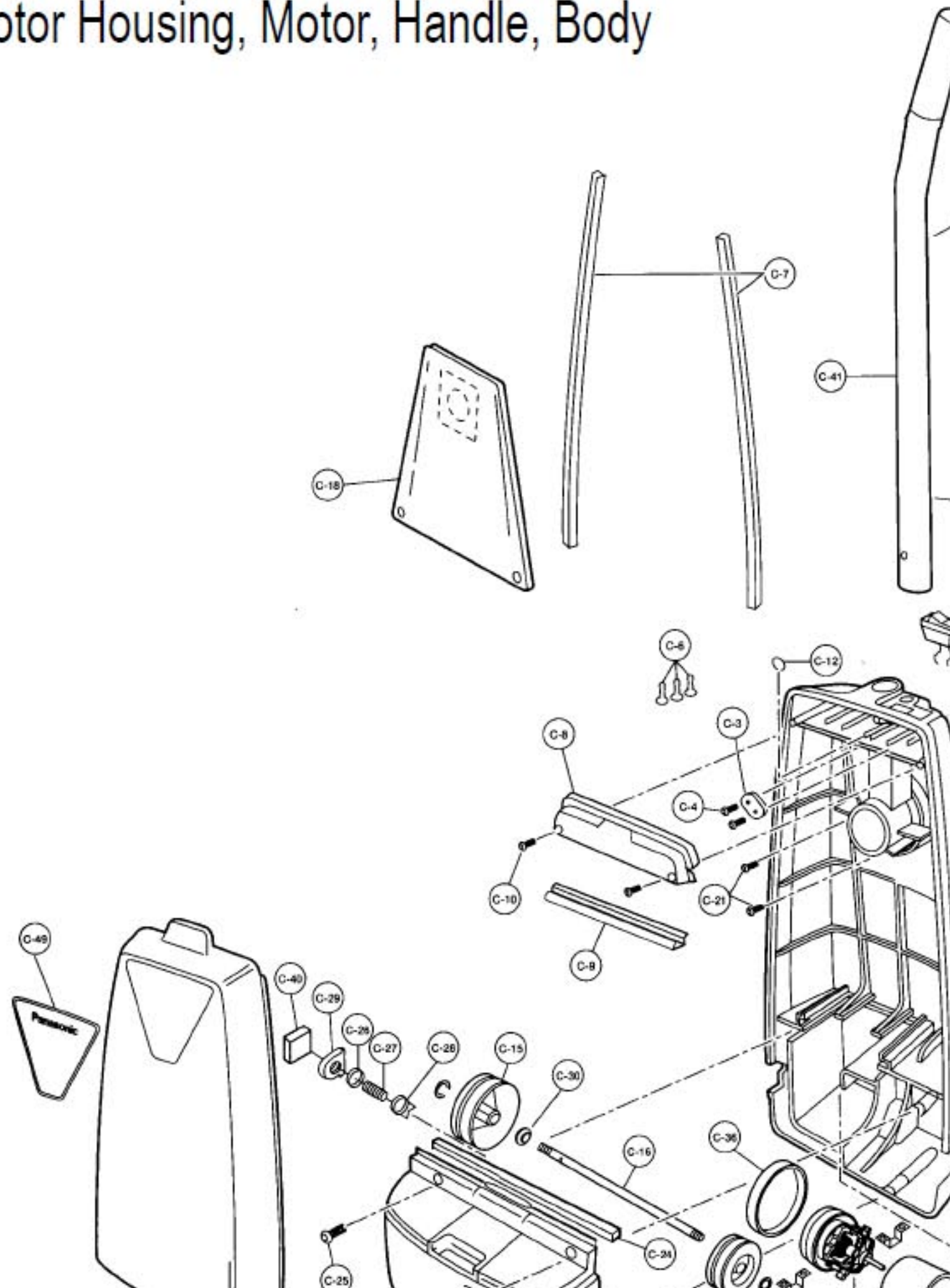
Agitator Assembly



PANASONIC

Models: MC-5140, MC-5150, MC-5155, MC-5190, MC-5340, MC-5995

Motor Housing, Motor, Handle, Body



PANASONIC

Models: MC-5140, MC-5150, MC-5155, MC-5190, MC-5340, MC-5995

| | | | | | |
|-----|----------|---|-----|----------|-------------------------|
| C1 | P-40029 | Dust Compartment, 5140 | C38 | P-000504 | Wire Cord, 5140 |
| C1 | P-40020 | Dust Compartment, 5150 | C39 | SS-71B | Wire Nut, 100 pack (R) |
| C1 | P-400209 | Dust Compartment, 5155 | C40 | P-333 | Protector Filter |
| C1 | P-000077 | Dust Compartment, 5190 | C41 | P-64209 | Handle, 5140 |
| C1 | P-000225 | Dust Compartment, 5340 | C41 | P-64201 | Handle, 5150 |
| C1 | P-000503 | Dust Compartment, 5995 | C41 | P-6429 | Handle, 5155 |
| C2 | P-8913 | Switch, on / off | C41 | P-6412 | Handle, 5190 |
| C3 | N/A | Cord Stopper | C41 | P-000270 | Handle, 5995 |
| C4 | P-000132 | Screw | | P-000231 | Handle Grip, 5140 |
| C5 | P-97020 | Cord, 5140 | | P-000249 | Handle Grip, 5150 |
| C5 | P-97021 | Cord, 5150 | C42 | P-53009 | Cord Hook, 5140 |
| C5 | P-97022 | Cord, 5155 | C42 | P-53001 | Cord Hook, 5150 |
| C5 | P-000078 | Cord, 5190 | C42 | P-5309 | Cord Hook, 5155 |
| C5 | P-9703 | Cord, 5340 | C42 | P-000232 | Cord Hook, 5190 |
| C5 | P-000151 | Cord, 5995 | C42 | P-000243 | Cord Hook, 5995 |
| C6 | SS-71B | Wire Nut, 100 pack (R) | C43 | P-55009 | Cord Storage, 5140 |
| C7 | P-6601 | Packing, dust box, 5140, 5190, 5995 | C43 | P-55001 | Cord Storage, 5150 |
| C7 | P-66011 | Packing, dust box, 5150 | C43 | P-5509 | Cord Storage, 5155 |
| C7 | P-66 | Packing, dust box, 5155 | C43 | P-000233 | Cord Storage, 5190 |
| C7 | P-000501 | Packing, dust box, 5340 | C43 | P-000244 | Cord Storage, 5995 |
| C8 | P-03029 | Switch Cover, 5140, 5190 | C44 | P-7670 | Spring, cord, 5140 |
| C8 | P-0302 | Switch Cover, 5150, 5995 | C45 | P-587 | Washer |
| C8 | P-030209 | Switch Cover, 5155 | C46 | P-54009 | Cord Hook, 5140 |
| C8 | P-000502 | Switch Cover, 5340 | C46 | P-54001 | Cord Hook, 5150 |
| C9 | P-73013 | Packing, switch cover, 5140, 5190 | C46 | P-5409 | Cord Hook, 5155 |
| C9 | P-73012 | Packing, switch cover, 5150, 5340, 5995 | C46 | P-000234 | Cord Hook, 5190 |
| C9 | P-73 | Packing, switch cover, 5155 | C46 | P-000245 | Cord Hook, 5995 |
| C10 | P-000132 | Screw | C47 | P-430 | Screw |
| C11 | P-7301 | Screw, handle | C48 | P-000084 | Dust Cover, 5140 |
| C12 | P-2117 | Nut | C48 | NLA | Dust Cover, 5150 |
| C13 | P-3200 | Filter Supporter | C48 | NLA | Dust Cover, 5155 |
| C14 | P-375 | Secondary Filter | C48 | P-000236 | Dust Cover, 5190 |
| C14 | P-9829 | Secondary Filter, electrostatic, 5340 | C48 | P-000261 | Dust Cover, 5995 |
| C15 | P-0107 | Roller, 5140, 5155 | C49 | P-2101 | Ornamental Filter, 5140 |
| C15 | P-0114 | Roller, 5150, 5190, 5340, 5995 | C49 | P-2102 | Ornamental Filter, 5150 |
| C16 | P-161 | Shaft, roller | C49 | P-2103 | Ornamental Filter, 5155 |
| C17 | P-05 | E-Clip, 30 pk | C49 | P-000085 | Ornamental Filter, 5190 |
| C17 | N/A | E-Clip, 10 pk, 5190, 5340, 5995 | | P-000237 | Vac Gauge Filter, 5140 |
| C18 | P-115P | Paper Bag, type "U", 3 pack | C50 | P-34019 | Nozzle Hose, 5140 |
| C18 | P-115PT | Paper Bag, type "U", 12 pack | C50 | P-34010 | Nozzle Hose, 5150 |
| C18 | 253 | Paper Bag, type "U", 3 pack (R) | C50 | P-3419 | Nozzle Hose, 5155 |
| C18 | 253-12 | Paper Bag, type "U", 12 pack (R) | C50 | N/A | Nozzle Hose, 5190 |
| C18 | MF-11 | Paper Bag, type "U-U3", microfiltration, 3 pk (R) | C50 | N/A | Nozzle Hose, 5995 |
| C19 | P-60209 | Suction Inlet, 5140 | | P-9300 | Indicator Pack, 5140 |
| C19 | P-0054 | Suction Inlet, 5150 | | P-000147 | Indicator Cap, 5140 |
| C19 | P-6029 | Suction Inlet, 5155 | | P-000148 | Indicator Spring, 5140 |
| C19 | P-000079 | Suction Inlet, 5190 | | P-000149 | Indicator Leaf, 5140 |
| C19 | P-000226 | Suction Inlet, 5340 | | P-000150 | Indicator Body, 5140 |
| C19 | P-000258 | Suction Inlet, 5995 | | P-000277 | Screw, 5340 |
| C20 | P-2710 | Cover, 5140, 5190 | | P-9425 | Attachment Hose, 5140 |
| C20 | NLA | Cover, 5150 | | NLA | Wand, 5140 |
| C20 | P-27109 | Cover, 5155 | | N/A | Wand, 5190 |
| C20 | P-000227 | Cover, 5340 | | NLA | Crevice Tool, 5140 |
| C20 | P-000259 | Cover, 5995 | | P-000088 | Crevice Tool, 5150 |
| C21 | P-000132 | Screw | | P-0091 | Dusting Brush, 5140 |
| C22 | P-090209 | Motor Case, 5140, 5190 | | P-000087 | Dusting Brush, 5150 |
| C22 | P-09020 | Motor Case, 5150 | | NLA | Upholstery Tool, 5140 |
| C22 | P-09029 | Motor Case, 5155 | | | |
| C22 | P-000228 | Motor Case, 5340 | | | |
| C22 | P-000260 | Motor Case, 5995 | | | |
| C23 | P-201 | Packing, rear cover | | | |
| C24 | P-1913 | Packing, motor case, 5140, 5190 | | | |
| C24 | P-1912 | Packing, motor case, 5150, 5340, 5995 | | | |
| C24 | P-195 | Packing, motor case, 5155 | | | |
| C25 | P-000132 | Screw | | | |
| C26 | P-692 | Protector | | | |
| C27 | P-000057 | Spring, protector | | | |
| C28 | P-000056 | Case, protector | | | |

FAN REPLACEMENT

1..... P-5371 Fan Case
1..... P-000067 Fan Case, 5340