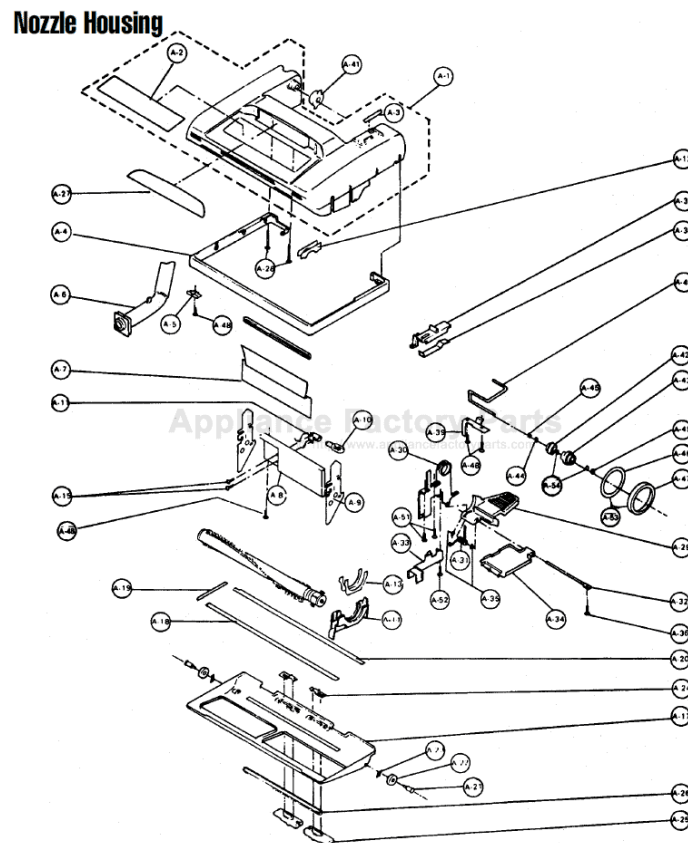


This Owner's Manual is provided and hosted by [Appliance Factory Parts](http://ApplianceFactoryParts.com).



# PANASONIC 6210 Owner's Manual

[Shop genuine replacement parts for PANASONIC 6210](#)



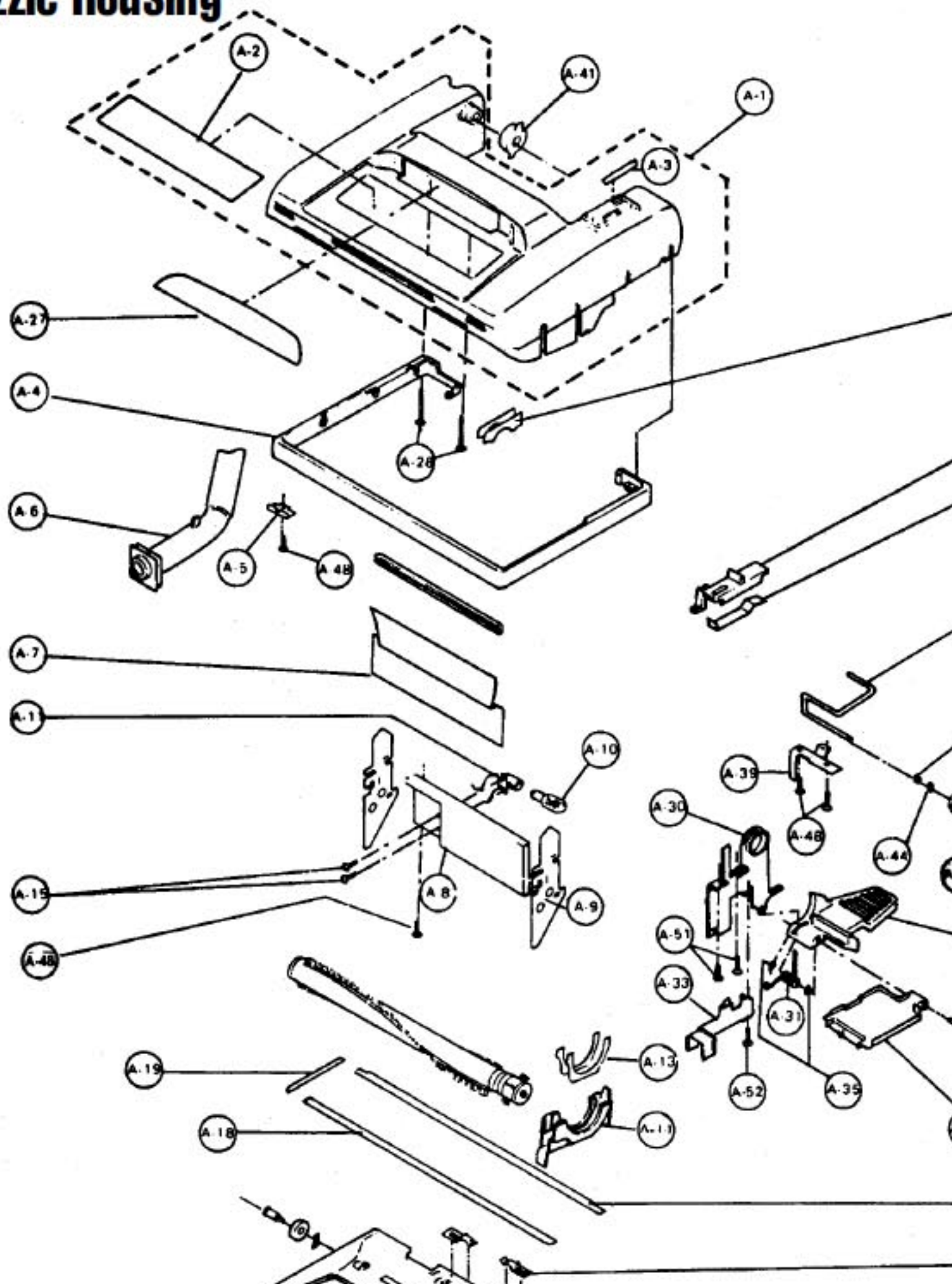
[Find Your PANASONIC Vacuum Cleaner Parts - Select From 605 Models](#)

----- Manual continues below -----

# PANASONIC

Models: MC-6210, MC-6215, MC-6220, MC-6225, MC-6230

## Nozzle Housing

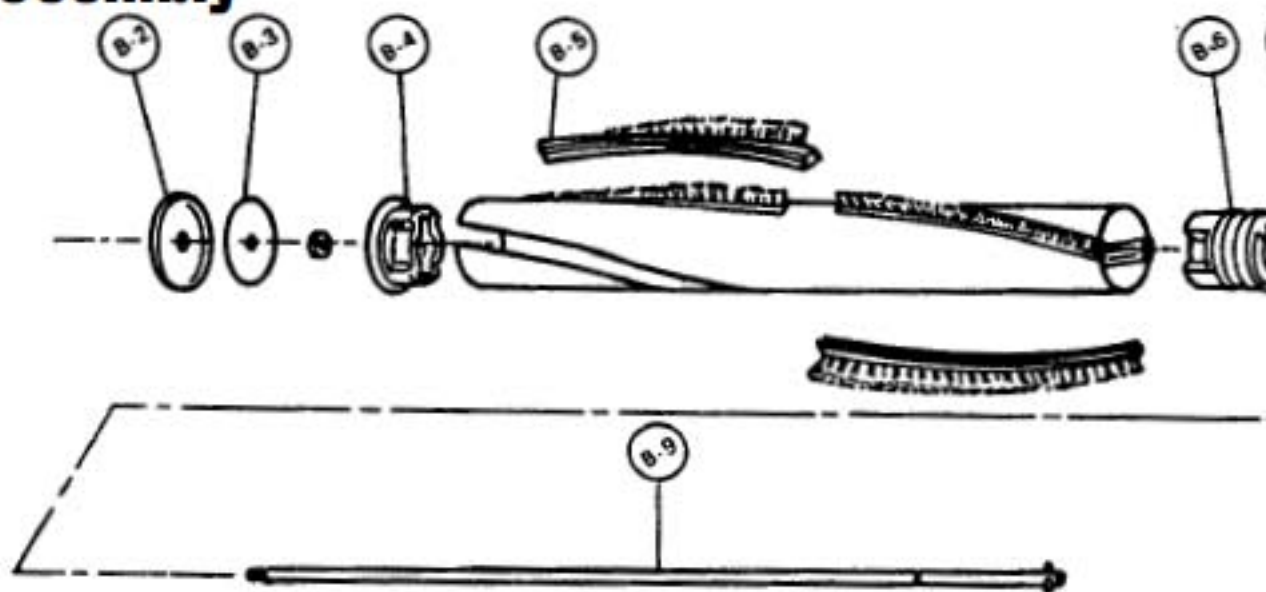


# PANASONIC

Models: MC-6210, MC-6215, MC-6220, MC-6225, MC-6230

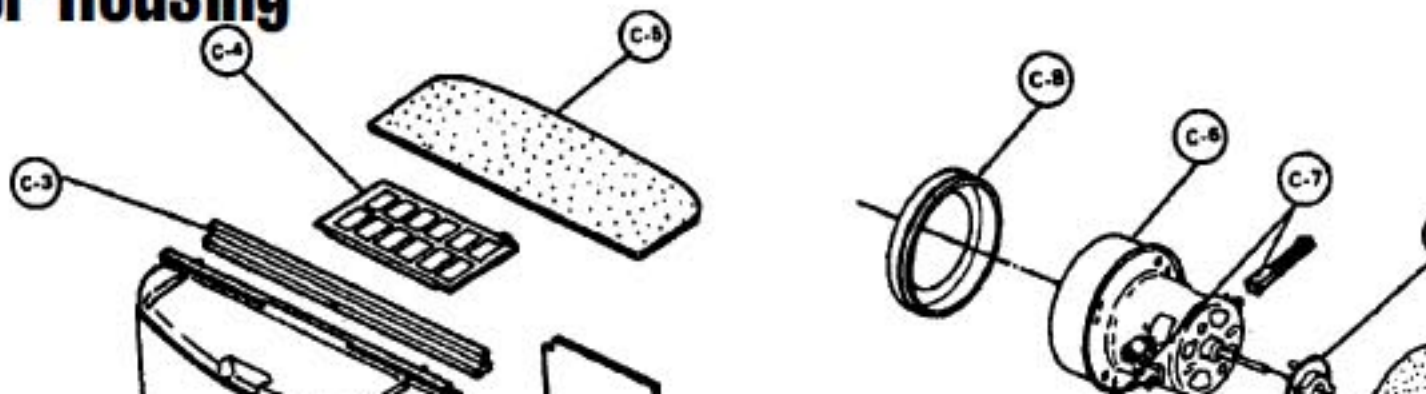
|                       |                                 |           |              |                             |           |      |
|-----------------------|---------------------------------|-----------|--------------|-----------------------------|-----------|------|
| A1..... P-013 .....   | Nozzle Housing, 6210            | A14 ..... | P-4330 ..... | Belt Cover                  | A35 ..... | P-05 |
| A1..... N/A .....     | Nozzle Housing, 6220            | A15 ..... | P-360 .....  | Screw                       | A36 ..... | P-41 |
| A1..... P-015 .....   | Nozzle Housing, 6230            | A17 ..... | P-2733 ..... | Lower Plate                 | A37 ..... | P-18 |
| A1..... P-0132 .....  | Nozzle Housing, 6215            | A17 ..... | P-0006 ..... | Lower Plate, metal          | A37 ..... | P-18 |
| A1..... P-0133 .....  | Nozzle Housing, 6225            | A18 ..... | P-193 .....  | Packing, lower plate, front | A38 ..... | P-24 |
| A2..... P-2302 .....  | Top Mark, 6210                  | A19 ..... | P-393 .....  | Packing, lower plate, right | A39 ..... | P-59 |
| A2..... N/A .....     | Top Mark, 6220                  | A20 ..... | P-7430 ..... | Packing, lower plate, back  | A40 ..... | P-85 |
| A2..... N/A .....     | Top Mark, 6230                  | A21 ..... | P-503 .....  | Shaft, floor nozzle roller  | A41 ..... | P-25 |
| A2..... P-0215 .....  | Top Mark, 6215                  | A22 ..... | P-909 .....  | Roller, floor nozzle        | A42 ..... | P-33 |
| A2..... P-0216 .....  | Top Mark, 6225                  | A23 ..... | P-04 .....   | Spring Nut, push-on         | A43 ..... | P-85 |
| A3..... N/A .....     | Selector, mark                  | A24 ..... | P-704 .....  | Spring, stop latch          | A44 ..... | P-05 |
| A4..... P-1031 .....  | Furniture Guard, 6210,6220,6230 | A25 ..... | P-684 .....  | Latch                       | A45 ..... | P-41 |
| A4..... P-1037 .....  | Furniture Guard, 6215,6225      | A26 ..... | P-1032 ..... | Rubber, floor nozzle        | A46 ..... | P-32 |
| A5..... P-2731 .....  | Hose Fitting Plate              | A27 ..... | P-2131 ..... | Window                      | A47 ..... | P-24 |
| A6..... P-7030 .....  | Nozzle Pipe                     | A28 ..... | P-683 .....  | Screw                       | A47 ..... | P-32 |
| A7..... P-0010 .....  | Reflector                       | A29 ..... | P-473 .....  | Pedal, 6210,6220,6230       | A48 ..... | P-41 |
| A8..... P-853 .....   | Bulb Supporter                  | A29 ..... | P-4730 ..... | Pedal, 6215,6225            | A51 ..... | P-20 |
| A9..... P-863 .....   | Side Plate, bulb supporter      | A30 ..... | P-433 .....  | Frame                       | A52 ..... | P-26 |
| A10..... MP-25K ..... | Bulb, (R)                       | A31 ..... | P-583 .....  | Spring, pedal               | A53 ..... | P-24 |
| A11..... N/A .....    | Bulb Socket                     | A32 ..... | P-513 .....  | Shaft, pedal                | A54 ..... | P-05 |
| A12..... P-813 .....  | Tight Packing                   | A33 ..... | P-754 .....  | Guide Lever                 |           |      |
| A13..... P-753 .....  | Body Packing                    | A34 ..... | P-1130 ..... | Belt Cover, rear            |           |      |

## Agitator Assembly



|                      |                                 |                       |                              |                      |
|----------------------|---------------------------------|-----------------------|------------------------------|----------------------|
| B1..... P-9231 ..... | Agitator Assembly, complete     | B5..... P-85 .....    | Brush Strip                  | B9..... P-573 .....  |
| B1..... P-6200 ..... | Agitator Assembly, complete (R) | B5..... P-425 .....   | Brush Strip, (R)             | P-411 .....          |
| B2..... N/A .....    | End Cap, left                   | B6..... P-2931 .....  | Agitator Pulley, w/o bearing | B11..... P-743 ..... |
| B3..... P-321 .....  | Filter                          | B7..... P-9030 .....  | Brush Holder                 | P-350 .....          |
| B4..... P-4101 ..... | Agitator Holder, w/ bearing     | B8..... P-00125 ..... | End Cap, right               |                      |

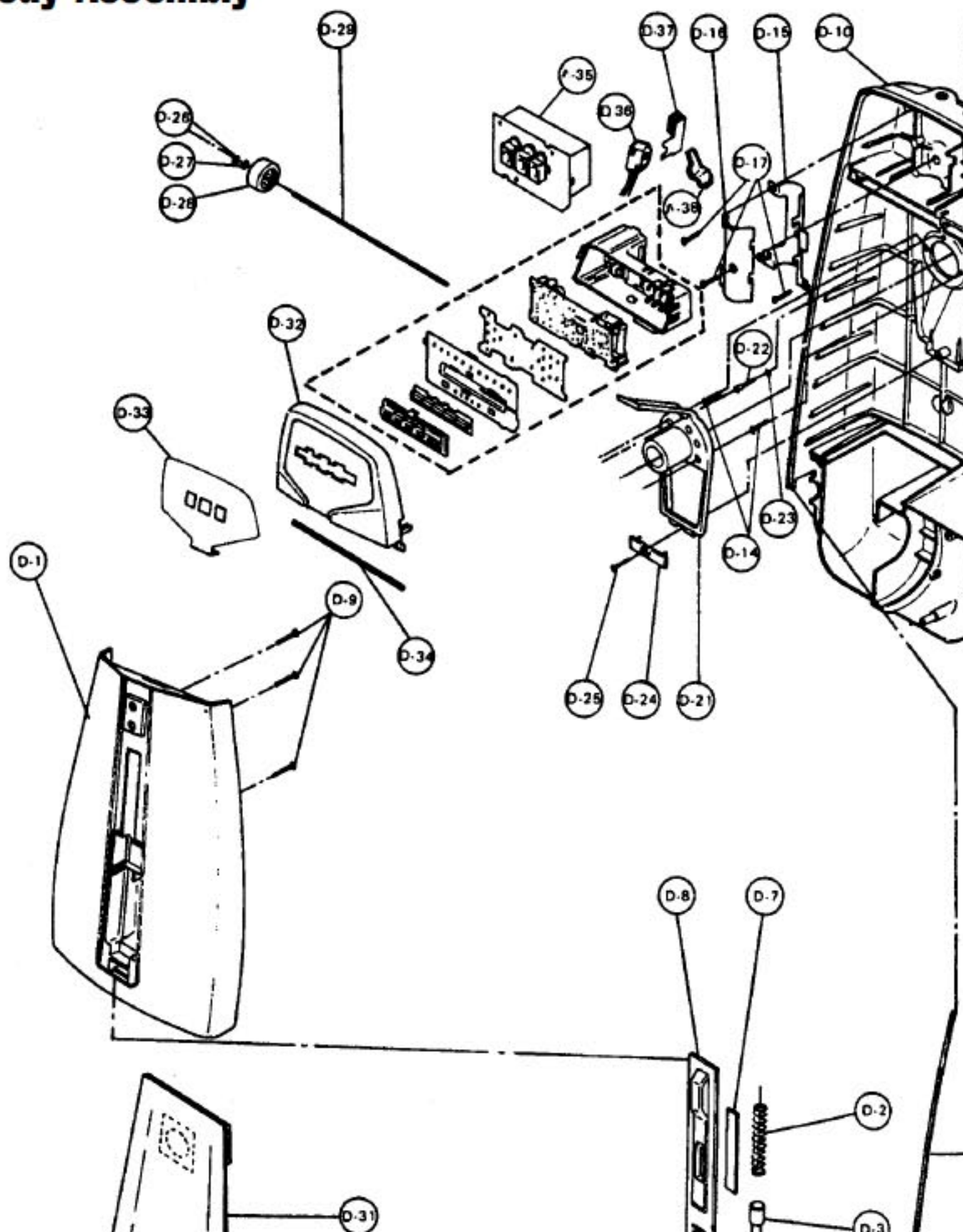
## Motor Housing



# PANASONIC

Models: MC-6210, MC-6215, MC-6220, MC-6225, MC-6230

## Body Assembly



# PANASONIC

Models: MC-6210, MC-6215, MC-6220, MC-6225, MC-6230

|     |         |                               |     |         |                                       |     |      |
|-----|---------|-------------------------------|-----|---------|---------------------------------------|-----|------|
| D1  | P-604   | Dust Cover, 6210,6220,6230    | D14 | P-416   | Screw, 10 pk                          | D31 | 253  |
| D1  | P-6045  | Dust Cover, 6215              | D15 | P-2485  | Handle Supporter                      | D31 | 253- |
| D1  | P-6032  | Dust Cover, 6225              | D16 | P-2486  | Handle Fitting                        | D31 | P-99 |
| D2  | P-0430  | Spring, indicator             | D17 | P-416   | Screw, 10 pk                          | D31 | P-55 |
| D3  | P-0049  | Indicator Lead                | D18 | SS-34   | Wire Bushing, sold each (R)           | D32 | P-03 |
| D4  | P-203   | Supporter, indicator lead     | D19 | MP-230  | Cord, 30 ft, white (R)                | D32 | P-03 |
| D5  | P-4340  | Alarm Blade                   | D20 | P-7330  | Screw, handle                         | D33 | N/A  |
| D6  | P-0630  | Lever, alarm switch           | D21 | N/A     | Bag Supporter                         | D33 | P-21 |
| D7  | P-0830  | Indicator Window              | D22 | P-2732  | Screw                                 | D33 | P-21 |
| D8  | P-132   | Front Cover, 6210,6220,6230   | D23 | P-0004  | Washer                                | D33 | P-21 |
| D8  | P-01401 | Front Cover, 6215             | D24 | N/A     | Spacer, bag supporter                 | D33 | P-21 |
| D8  | P-01402 | Front Cover, 6225             | D25 | P-416   | Screw, 10 pk                          | D34 | P-66 |
| D9  | P-416   | Screw, 10 pk                  | D26 | P-05    | E-Clip, 30 pk                         |     |      |
| D10 | P-4030  | Dust Compartment, 6210        | D27 | P-051   | Washer                                | D34 | P-73 |
| D10 | P-4040  | Dust Compartment, 6220        | D28 | P-0107  | Roller, 6210,6220,6230                | D35 | P-89 |
| D10 | P-4050  | Dust Compartment, 6230        | D28 | P-0107  | Roller, 6215,6225                     | D35 | P-89 |
| D10 | P-4032  | Dust Compartment, 6215        | D29 | P-163   | Shaft, roller                         | D36 | P-98 |
| D10 | P-4033  | Dust Compartment, 6225        | D30 | P-7331  | Packing, dust box, 6210,<br>6220,6230 | D37 | P-45 |
| D11 | P-647   | Packing, suction inlet        | D30 | P-6631  | Packing, dust box, 6215,6225          | D38 | P-15 |
| D12 | P-607   | Suction Inlet, 6210,6220,6230 | D31 | P-115P  | Paper Bag, 3 pack                     | D39 | P-34 |
| D12 | P-6010  | Suction Inlet, 6215,6225      | D31 | P-115PT | Paper Bag, 12 pack                    | D39 | P-34 |
| D13 | N/A     | Cover, 6210,6220,6230         |     |         |                                       |     |      |

## Power Indicator and Handle

