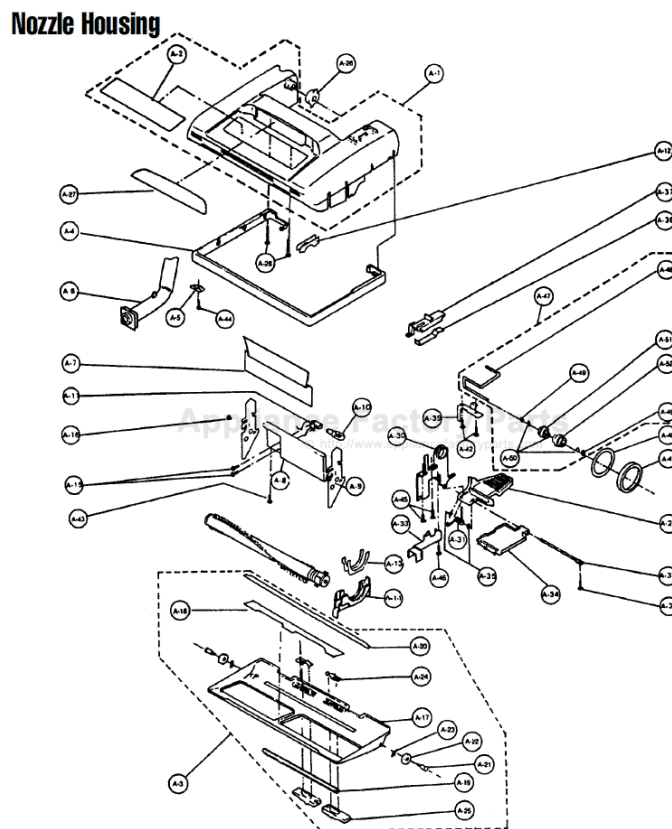


This Owner's Manual is provided and hosted by [Appliance Factory Parts](#).



# PANASONIC 6255 Owner's Manual

[Shop genuine replacement parts for PANASONIC 6255](#)



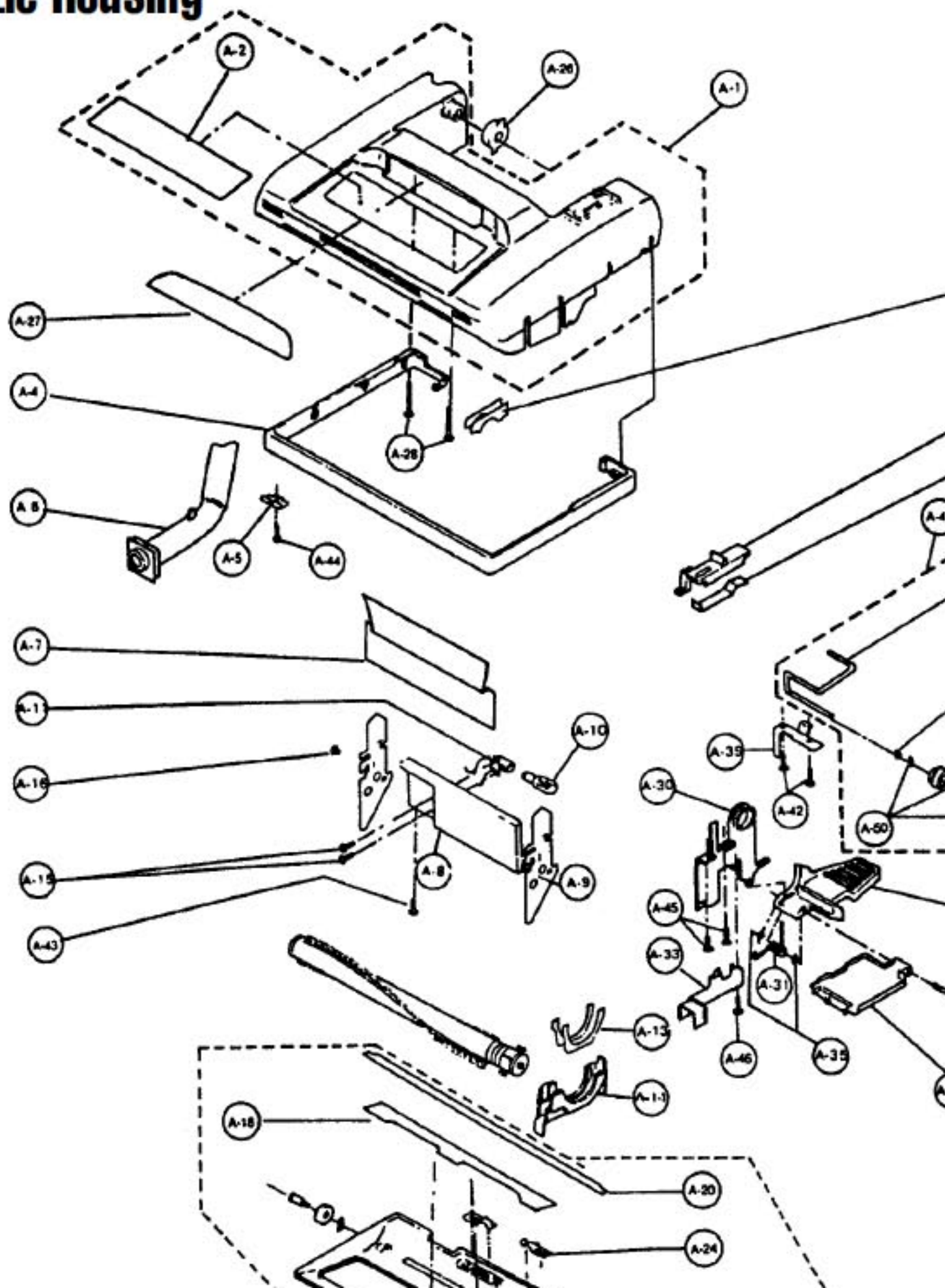
[Find Your PANASONIC Vacuum Cleaner Parts - Select From 605 Models](#)

----- Manual continues below -----

# PANASONIC

Models: MC-6217, MC-6250, MC-6255

## Nozzle Housing

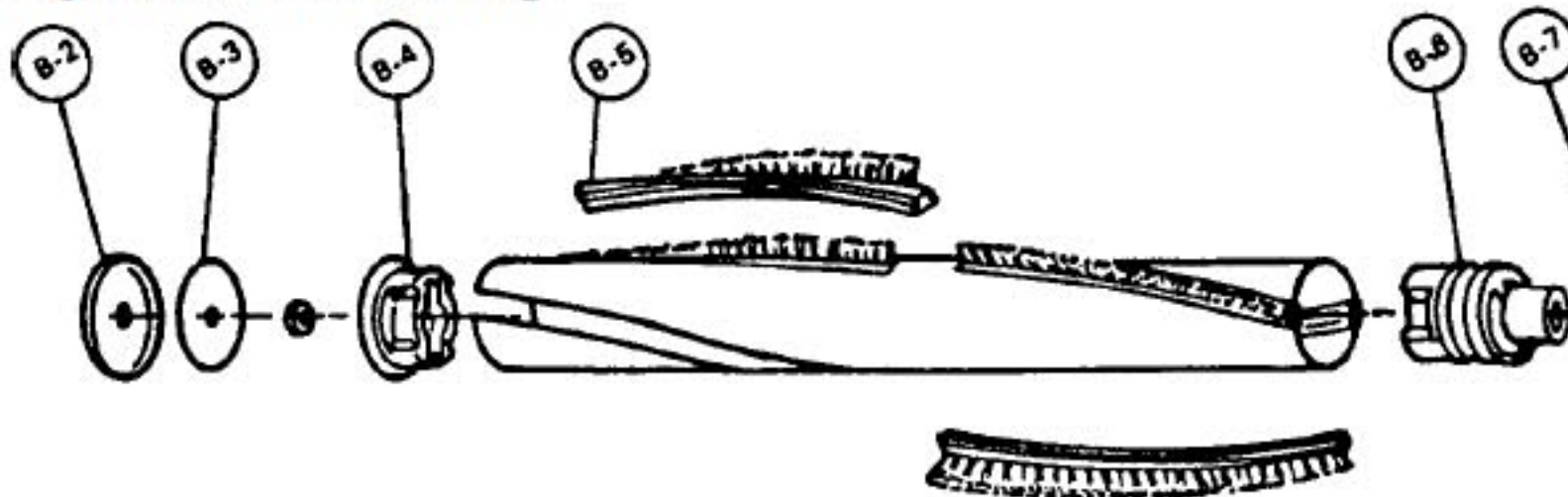


# PANASONIC

Models: MC-6217, MC-6250, MC-6255

A1..... P-0191..... Nozzle Housing, 6217	A17..... P-0014..... Lower Plate, 6250, 6255	A39..... P-59.....
A1..... P-0001..... Nozzle Housing, 6250	A18..... P-193..... Packing, lower plate, front	A40..... P-24.....
A1..... P-0002..... Nozzle Housing, 6255	A19..... P-1032..... Floor Nozzle Rubber	A40..... P-32.....
A2..... P-0003..... Top Mark, 6250	A20..... P-7430..... Packing, lower plate, back	A41..... P-24.....
A2..... P-0005..... Top Mark, 6255	A21..... P-503..... Shaft, floor nozzle roller	A41..... P-32.....
A2..... P-29..... Top Mark, 6217	A22..... P-909..... Roller, floor nozzle	A42..... P-41.....
A3..... P-9130..... Lower Plate Assy, 6217	A23..... P-04..... Spring Nut, push-on	A43..... P-41.....
A3..... P-0006..... Lower Plate Assy, 6250, 6255	A24..... P-704..... Spring, stop latch	A44..... P-41.....
A4..... P-1036..... Furniture Guard, 6217	A25..... P-2751..... Latch	A45..... P-41.....
A4..... P-0008..... Furniture Guard, 6250, 6255	A26..... P-2530..... Shaft, plastic	A46..... P-26.....
A5..... P-2731..... Hose Fitting Plate	A27..... P-2131..... Window	A47..... P-85.....
A6..... P-7030..... Nozzle Pipe	A28..... P-683..... Screw, nozzle housing	A48..... P-10.....
A7..... P-6010..... Reflector, 6217	A29..... P-2433..... Pedal, 6217, 6255	A49..... P-05.....
A7..... P-0010..... Reflector, 6250, 6255	A29..... P-0016..... Pedal, 6250	A50..... P-16.....
A8..... P-853..... Bulb Supporter, 6217	A30..... P-433..... Frame	A51..... P-33.....
A8..... P-0011..... Bulb Supporter, 6250, 6255	A31..... P-583..... Spring, pedal	A52..... P-90.....
A9..... P-863..... Side Plate, bulb supporter, 6217	A32..... P-513..... Shaft, pedal	P-24.....
A9..... P-0012..... Side Plate, bulb supporter, 6250, 6255	A33..... P-754..... Guide Lever	P-94.....
A10..... MP-25K..... Bulb, 25 watt (R)	A34..... P-1130..... Belt Cover, rear	
A11..... P-938..... Bulb Socket	A35..... P-411..... E-Clip	
A12..... P-813..... Tight Packing	A36..... P-416..... Screw, pedal shaft, 10 pk, 6217	
A13..... P-753..... Packing, body	A36..... P-4201..... Screw, pedal shaft, 10 pk, 6250, 6255	
A14..... P-4330..... Belt Cover	A37..... P-1832..... Selector Lever, 6217	
A15..... P-360..... Screw, bulb socket	A37..... P-0019..... Selector Level, 6250	
A16..... P-2423..... Wire Bushing	A37..... P-0020..... Selector Level, 6255	
A17..... P-2733..... Lower Plate, 6217	A38..... P-243..... Spring, selector	

## Agitator Assembly

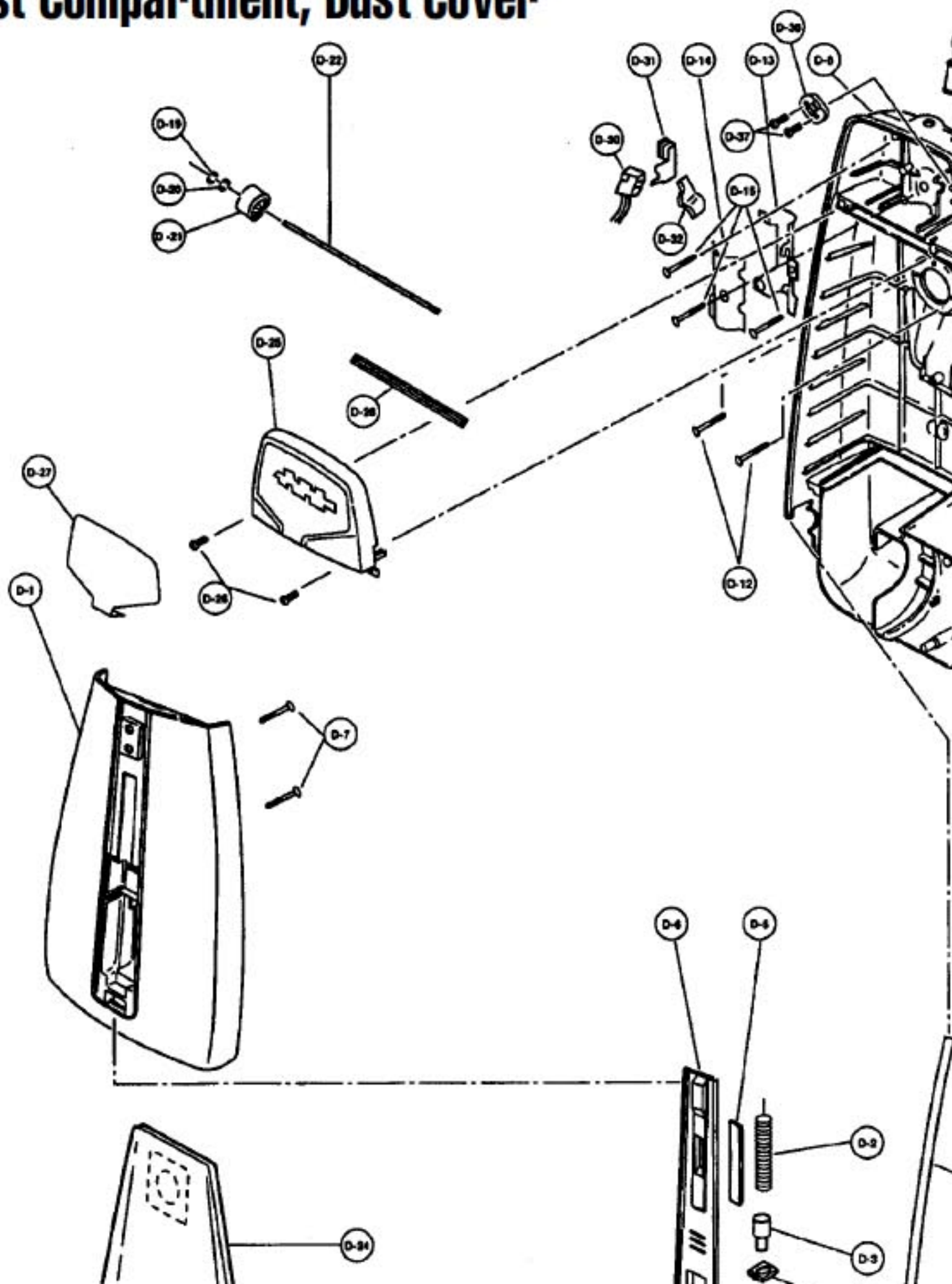


P-9231..... Agitator Assembly, complete	B5..... P-85..... Brush Strip, 4 used	P-41.....
B2..... P-00125..... End Cap, left	B6..... P-783..... Agitator Pulley	B10..... P-74.....
B3..... P-304..... Filler	B7..... P-9034..... Brush Holder	P-57.....
B4..... P-881..... Agitator Holder, w/ bearing	B8..... N/A..... End Cap, right	

# PANASONIC

Models: MC-6217, MC-6250, MC-6255

## Dust Compartment, Dust Cover



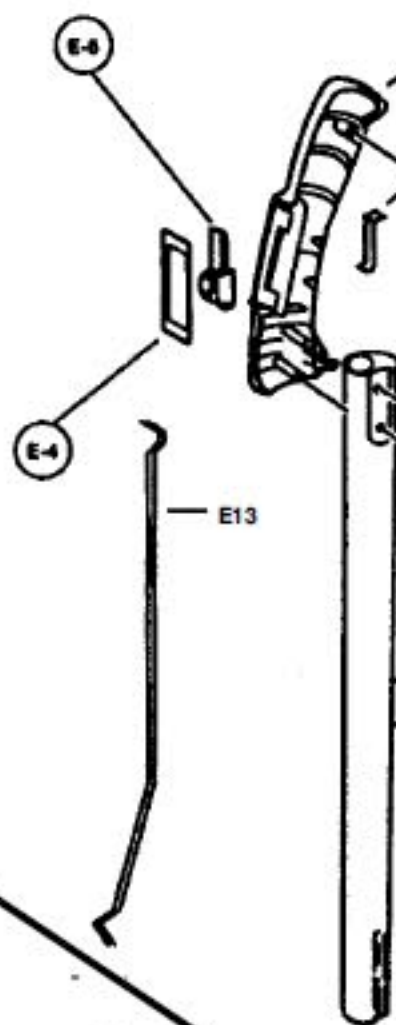
# PANASONIC

Models: MC-6217, MC-6250, MC-6255

D1	P-60403	Dust Cover, 6217	D12	N/A	Screw	D25	P-00
D1	P-0046	Dust Cover, 6250	D13	P-2485	Handle Supporter	D26	P-00
D1	P-0047	Dust Cover, 6255	D14	P-2486	Handle Fitting	D27	P-02
D2	P-0430	Spring, indicator	D15	P-000132	Screw	D27	P-00
D3	P-0049	Lead, indicator	D16	P-2482	Cord Bushing, 6250	D27	P-00
D4	P-203	Supporter, indicator lead	D16	P-2481	Cord Bushing, 6255	D28	P-00
D5	P-0830	Window, indicator	D17	N/A	Cord, 6217	D29	P-00
	P-0630	Lever, alarm switch, 6217	D17	P-0059	Cord, 6250	D30	P-98
D6	P-0147	Front Cover, 6217	D17	P-0060	Cord, 6255	D30	P-00
D6	P-0050	Front Cover, 6250	D18	P-7330	Screw, handle	D31	P-45
D6	P-0051	Front Cover, 6255	D19	N/A	E-Clip	D31	P-00
D7	P-000132	Screw	D20	N/A	Washer	D32	P-15
D8	P-4034	Dust Compartment, 6217	D21	P-0062	Roller, (wheel), 6250	D33	P-34
D8	N/A	Dust Compartment, 6250	D21	P-0107	Roller, (wheel), 6255	D33	P-00
D8	P-0053	Dust Compartment, 6255	D22	P-163	Shaft, roller	D33	P-00
D9	P-1034	Packing, suction inlet	D23	P-2488	Packing, dust box	D34	P-24
D10	N/A	Suction Inlet, 6217	D24	P-115P	Paper Bag, type "U", 3 pack	D34	P-05
D10	P-0054	Suction Inlet, 6250	D24	P-115PT	Paper Bag, type "U", 12 pack	D35	P-00
D10	P-0055	Suction Inlet, 6255	D24	253	Paper Bag, type "U", 3 pack (R)	D36	N/A
D-11	N/A	Cover, 6217	D24	253-12	Paper Bag, type "U", 12 pack (R)	D37	P-00
D11	P-0056	Cover, 6250	D25	P-39	Switch Cover, 6217		
D11	P-0057	Cover, 6255	D25	P-0064	Switch Cover, 6250		

## Handle Assembly

E1	P-0075	Handle Grip, right, 6250
E1	P-2233	Handle Grip, right, 6217, 6255
E2	P-0076	Handle Grip, left, 6250
E2	P-2332	Handle Grip, left, 6217, 6255
E3	P-6414	Handle, 6217
E3	P-0077	Handle, 6250
E3	P-0078	Handle, 6255
E4	N/A	Window, switch
E5	P-6931	Switch Knob
E6	P-4201	Screw
E7	P-0079	Cord Hook, upper, 6250
E7	P-2548	Cord Hook, upper, 6217, 6255
E8	P-4201	Screw
E9	P-587	Washer, handle
E10	P-7670	Spring, cord hook
E11	P-0080	Cord Hook, lower, 6250
E11	P-2552	Cord Hook, lower, 6217, 6255
E12	P-4201	Screw
E13	P-623	Handle Lever



## Motor Housing

C1	P-0031	Motor Case, 6250
C1	P-0032	Motor Case, 6255
C2	P-0232	Packing, rear cover, 6217
C2	P-2465	Packing, rear cover
C3	P-2466	Support Rubber, motor case, 6217
C3	P-0033	Support Rubber, motor case
C4	P-3200	Supporter, filter

