

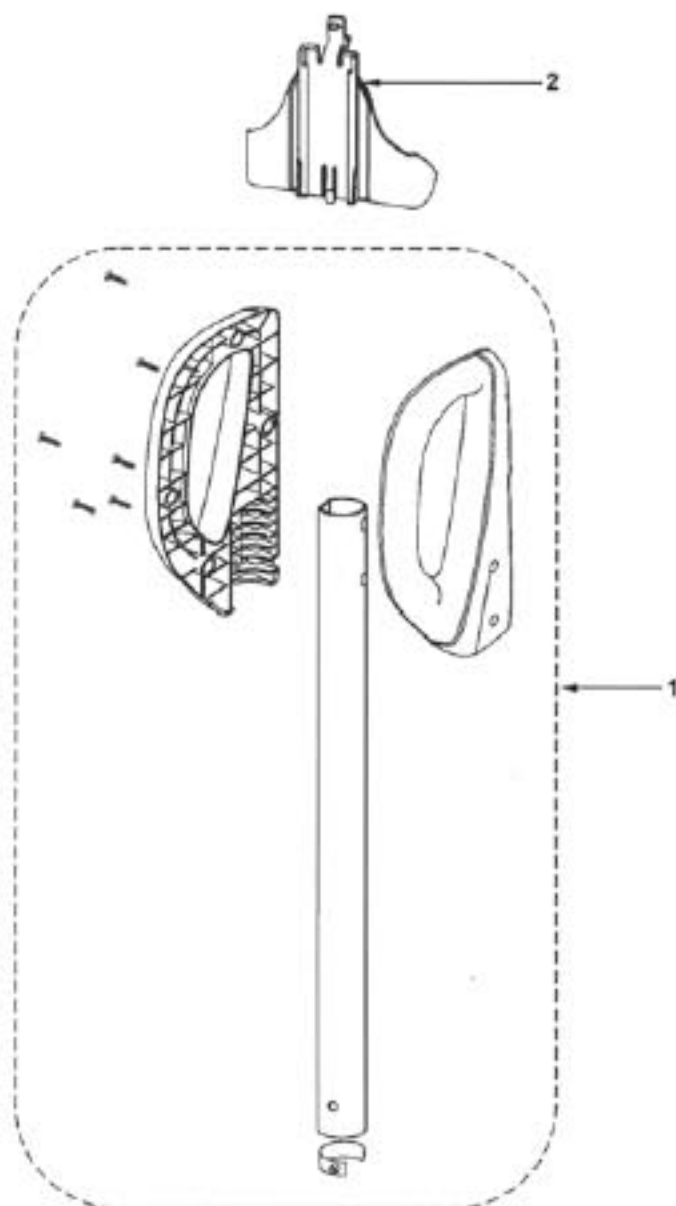
# PANASONIC

Models: MC-UL671

## BODY

Index	Part No.	Description
1	N/A	Dust Cover
2	N/A	Dust Packing
3	N/A	Secondary Filter
4	N/A	Secondary Filter
5	N/A	Switch Assembly
6	N/A	Body Supporter A
7	N/A	Switch Knob
8	N/A	Dust Packing
9	P-11381	Lead Assembly
10	N/A	Fan Motor Unit (ECM)
11	N/A	Motor Cap
12	P-11394	Motor Support Rubber
13	N/A	Motor Support Rubber
18	N/A	Cord Assembly
20	N/A	Packing
21	N/A	Plastic Holder
22	N/A	Gear Assembly
23	N/A	Air Inlet Guide
24	P-10661	Protector Cover
25	P-10776	Protector
26	N/A	Protector Spring (finished)
28	N/A	Dust Compartment
29	N/A	Wheel Unit
30	P-111588	Roller Shaft
31	P-6115	Washer (10 pack)
32	P-74009	Stopper Wheel
33	P-6140	Screw (10 pack)
35	N/A	Connector (wire crimp)

Index	Part No.	Description
36	N/A	Air Guide
37	N/A	Dust Packing
38	N/A	Air Guide Left
39	N/A	Seal
40	N/A	Air Guide Right
41	P-11413	Cord Guide
42	N/A	Cord Rewind Button
43	N/A	Spring (brake lever)
44	N/A	Extension Wand Holder
45	N/A	Handle Carry
46	N/A	Service (button unit)
49	N/A	Cover
50	N/A	Exhaust Filter
51	N/A	Filter Cover
52	N/A	Window
55	N/A	Handle Grommet
56	N/A	Hose
58	P-111300	Extension Wand
59	P-6069	Crevice Tool
60	P-6088	Dusting Brush Unit
61	P-11595	Operating Instructions
62	N/A	Turbine Unit
63	N/A	Bulb Socket
64	N/A	Lead Wire M (white)
65	P-10670	Noise Suppressor
66	P-11574	Bulb (light)
70	N/A	Label A



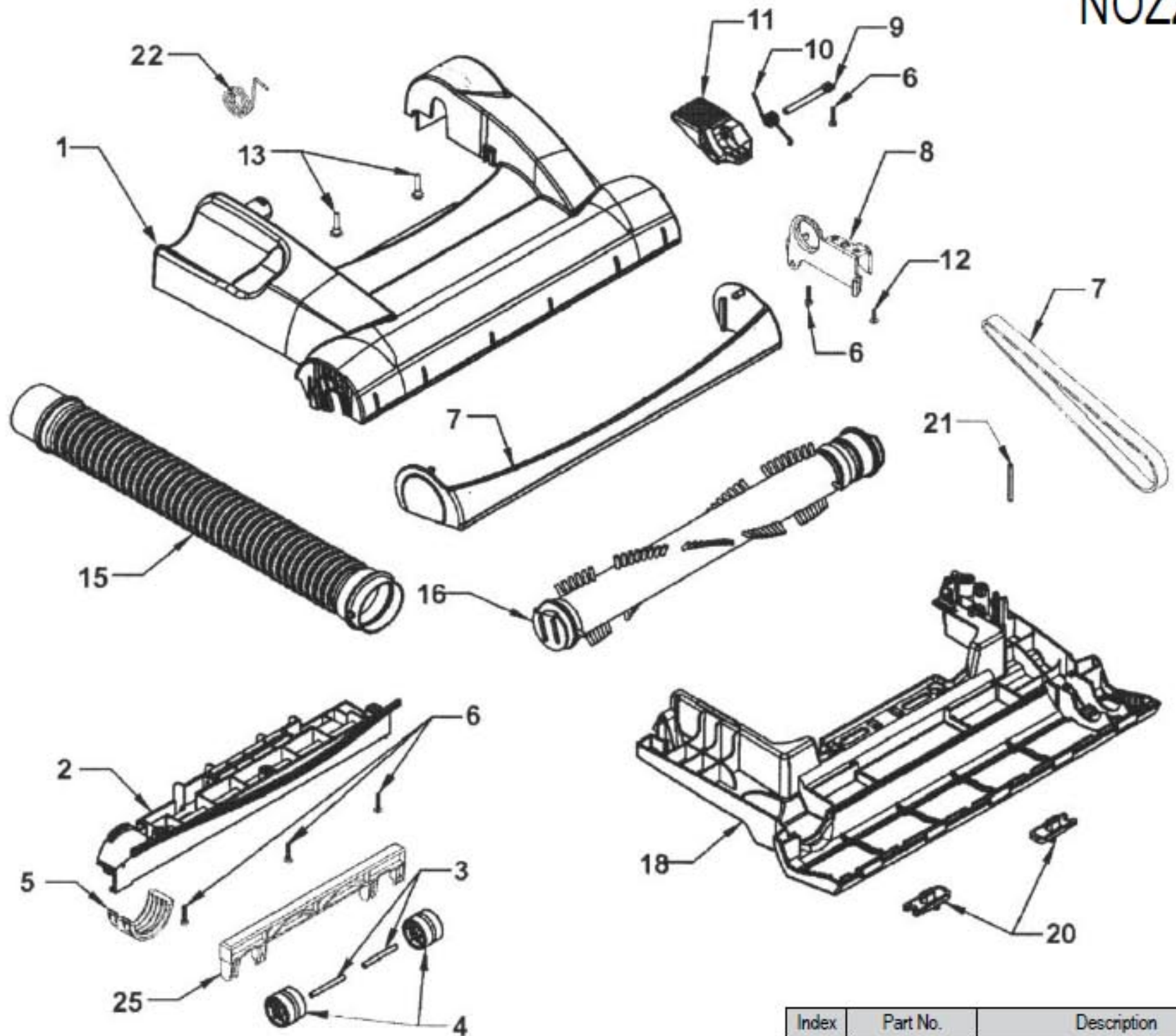
## HANDLE

Index	Part No.	Description
1	N/A	Handle Assembly
2	N/A	Tool Caddy

# PANASONIC

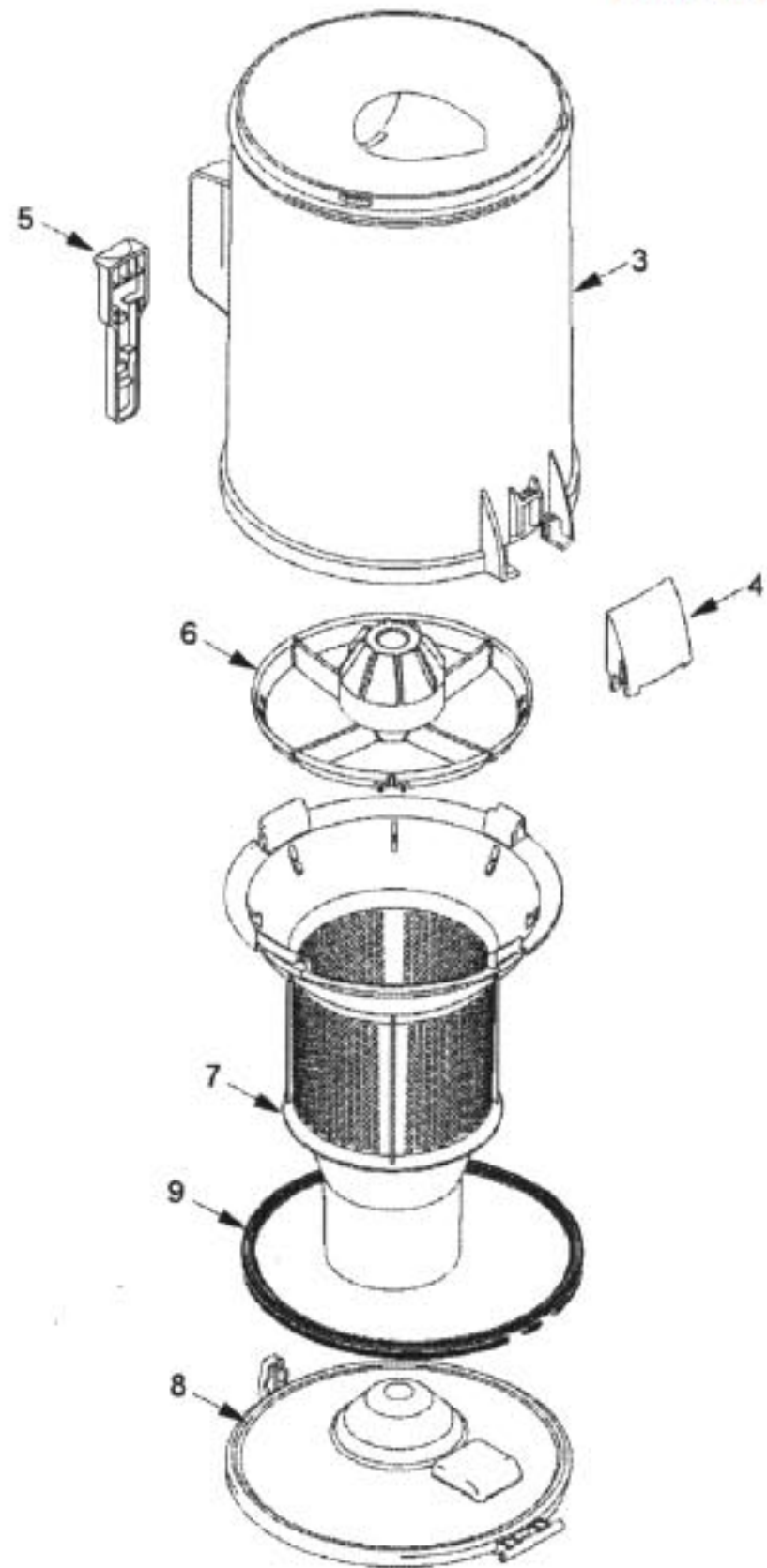
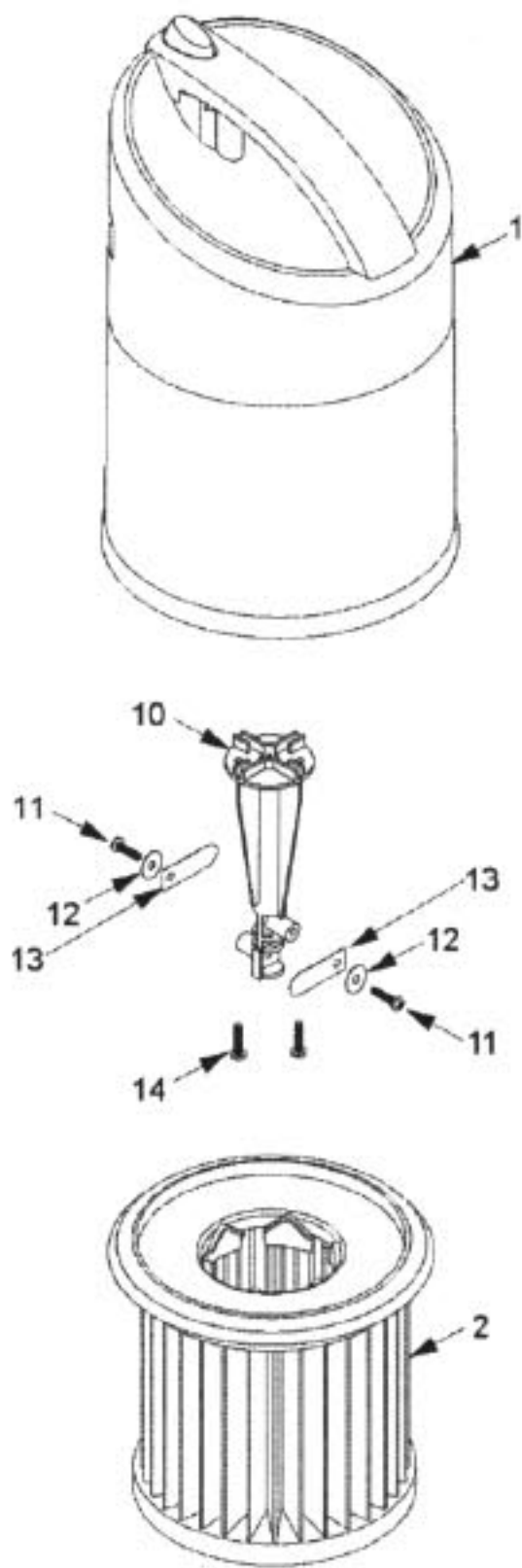
Models: MC-UL671

## NOZZLE



Index	Part No.	Description
1	N/A	Nozzle Housing
2	P-11596	Upper Body
3	P-10357	Roller Shaft
4	N/A	Nozzle Roller Assembly
5	P-11427	Body Cap
6	P-6140	Screw (10 pack)
7	P-11421	Furniture Guard
8	N/A	Frame
9	N/A	Pedal Shaft
10	P-9857	Pedal Spring
11	P-11424	Pedal
12	P-4104	Screw (10 pack)
13	P-683	Screw for body (10 pack)
15	N/A	Nozzle Hose
16	P-11371	Agitator Unit
17	P-11369	Belt
18	P-11422	Lower Plate
20	P-11423	Latch
21	P-111641	Belt Guard
22	N/A	Floor Nozzle Spring
25	P-11428	Nozzle Roller Cam

## DUST BIN



Index	Part No.	Description
1	N/A	Dust Box Lid Unit
2	N/A	Filter Unit
3	N/A	Filter Case (DECO)
4	N/A	Lid Holding Bracket
5	N/A	Slider
6	N/A	Supporter Unit
7	N/A	Pre-Filter
8	N/A	Dust Box Plate
9	N/A	Gasket C
10	N/A	Spring Holder
11	P-11597	Screw (10 pack)
12	N/A	Washer (10 pack)
13	N/A	Spring Filter
14	P-10500	Screw (10 pack)