

# PANASONIC

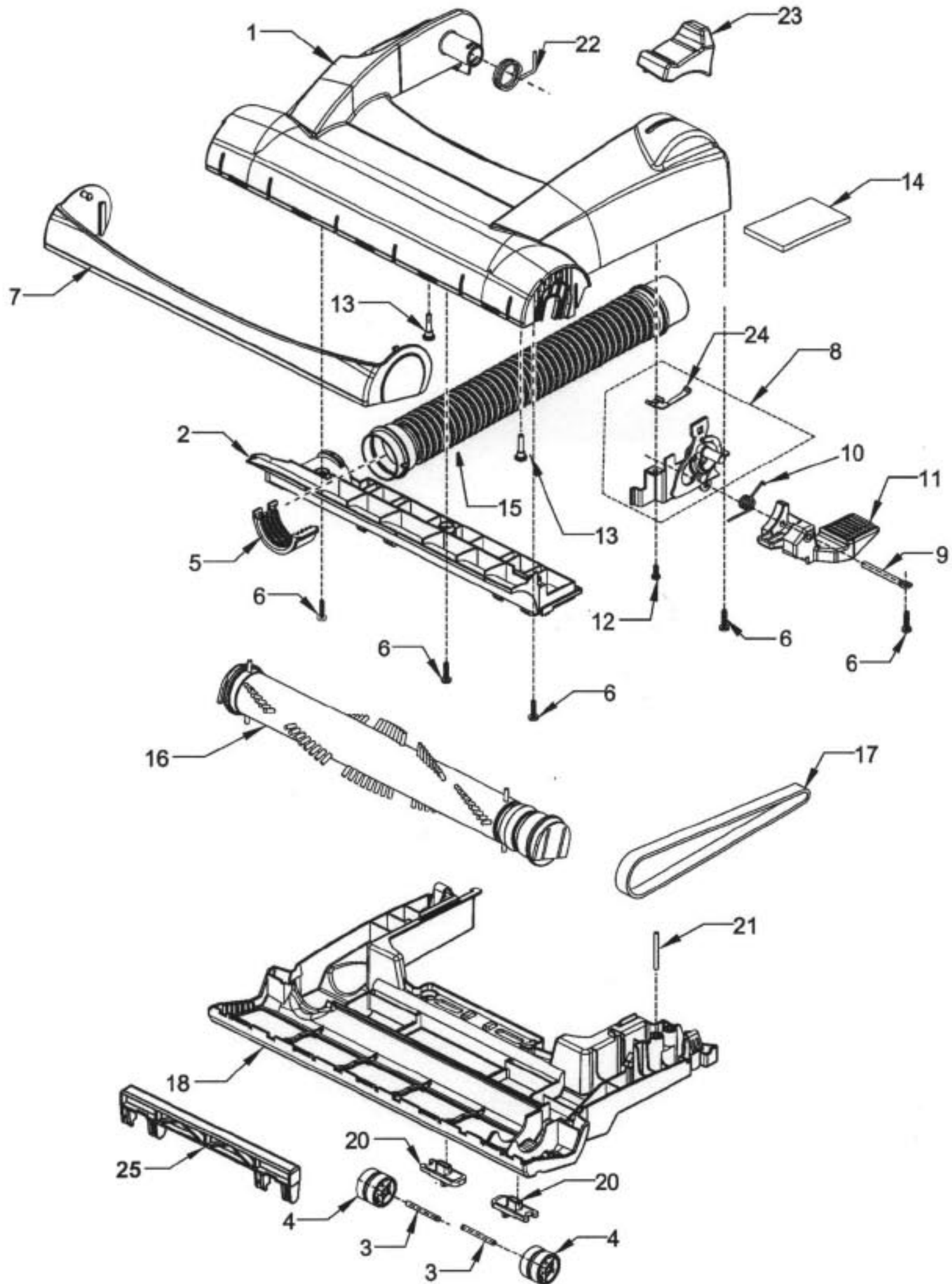
Models: MC-UL675

## BODY

| Index | Part No. | Description                 |
|-------|----------|-----------------------------|
| 1     | N/A      | Dust Cover DECO             |
| 2     | N/A      | Dust Packing                |
| 3     | N/A      | Secondary Filter            |
| 4     | N/A      | Secondary Filter            |
| 5     | N/A      | Switch Assembly             |
| 6     | N/A      | Body Support A              |
| 7     | N/A      | Switch Knob                 |
| 8     | N/A      | Dust Packing                |
| 9     | P-11381  | Lead Assembly               |
| 10    | N/A      | Fan Motor (RCM)             |
| 11    | N/A      | Motor Cap                   |
| 12    | N/A      | Motor Support Rubber        |
| 13    | N/A      | Motor Support Rubber        |
| 18    | N/A      | Cord Reel Assembly          |
| 20    | N/A      | Packing                     |
| 21    | N/A      | Plastic Holder              |
| 22    | N/A      | Gear Assembly               |
| 23    | N/A      | Air Inlet Guide             |
| 24    | P-10661  | Protector Cover             |
| 25    | P-10776  | Protector                   |
| 26    | P-11186  | Protector Spring (finished) |
| 28    | N/A      | Dust Compartment            |
| 29    | N/A      | Wheel Unit                  |
| 30    | P-111588 | Roller Shaft                |
| 31    | P-6115   | Washer (10 pack)            |
| 32    | P-74009  | Stopper Wheel               |
| 33    | P-6140   | Screw (10 pack)             |
| 35    | N/A      | Connector (wire crimp)      |
| 36    | N/A      | Air Guide                   |
| 37    | N/A      | Dust Packing                |
| 38    | N/A      | Air Guide Left              |
| 39    | N/A      | Seal                        |
| 40    | N/A      | Air Guide Right             |

| Index | Part No. | Description               |
|-------|----------|---------------------------|
| 41    | P-11413  | Cord Guide                |
| 42    | N/A      | Cord Rewind Button        |
| 43    | N/A      | Spring                    |
| 44    | N/A      | Extension Wand Holder     |
| 45    | N/A      | Handle Carry              |
| 46    | N/A      | Service (button unit)     |
| 49    | N/A      | Cover                     |
| 50    | N/A      | Exhaust Filter            |
| 51    | N/A      | Filter Cover              |
| 52    | N/A      | Window                    |
| 55    | N/A      | Handle Grommet            |
| 56    | N/A      | Hose                      |
| 58    | P-111300 | Extension Wand            |
| 59    | P-6069   | Crevice Tool (long)       |
| 60    | P-6088   | Dusting Brush Unit        |
| 61    | P-11598  | Operating Instruction     |
| 62    | N/A      | Turbine Unit              |
| 63    | N/A      | Bulb Socket               |
| 64    | N/A      | Lead Wire (white)         |
| 65    | P-10670  | Noise Suppressor          |
| 66    | P-111574 | Bulb (light)              |
| 70    | N/A      | Flange                    |
| 71    | N/A      | Performance Indicator     |
| 72    | P-111433 | Screw (10 pack)           |
| 73    | N/A      | Tube Adapter (vac switch) |
| 75    | N/A      | Fitting A                 |
| 76    | N/A      | Label A                   |
| 77    | N/A      | Partition Board           |
| 78    | N/A      | PCB Dirt Sensor           |
| 79    | N/A      | PCB B Unit                |
| 80    | N/A      | Wire Harness              |
| 81    | N/A      | Indicator Window          |
| 82    | N/A      | Lead Wire (white)         |

## NOZZLE



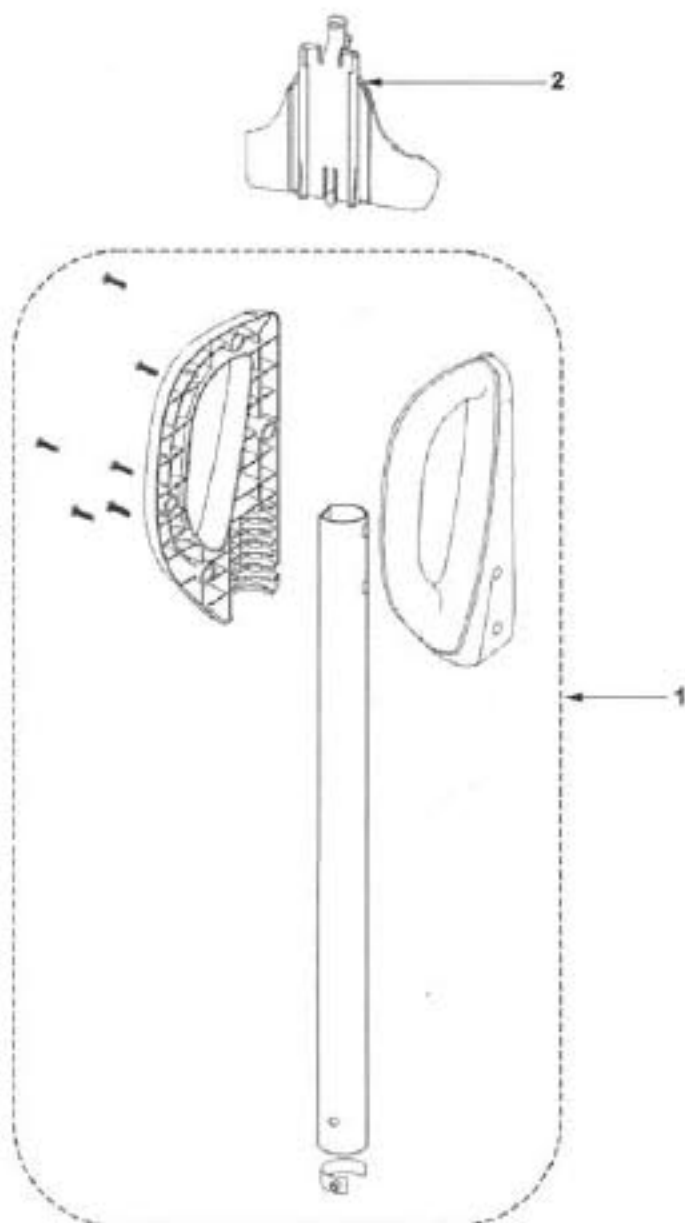
# PANASONIC

Models: MC-UL675

## NOZZLE

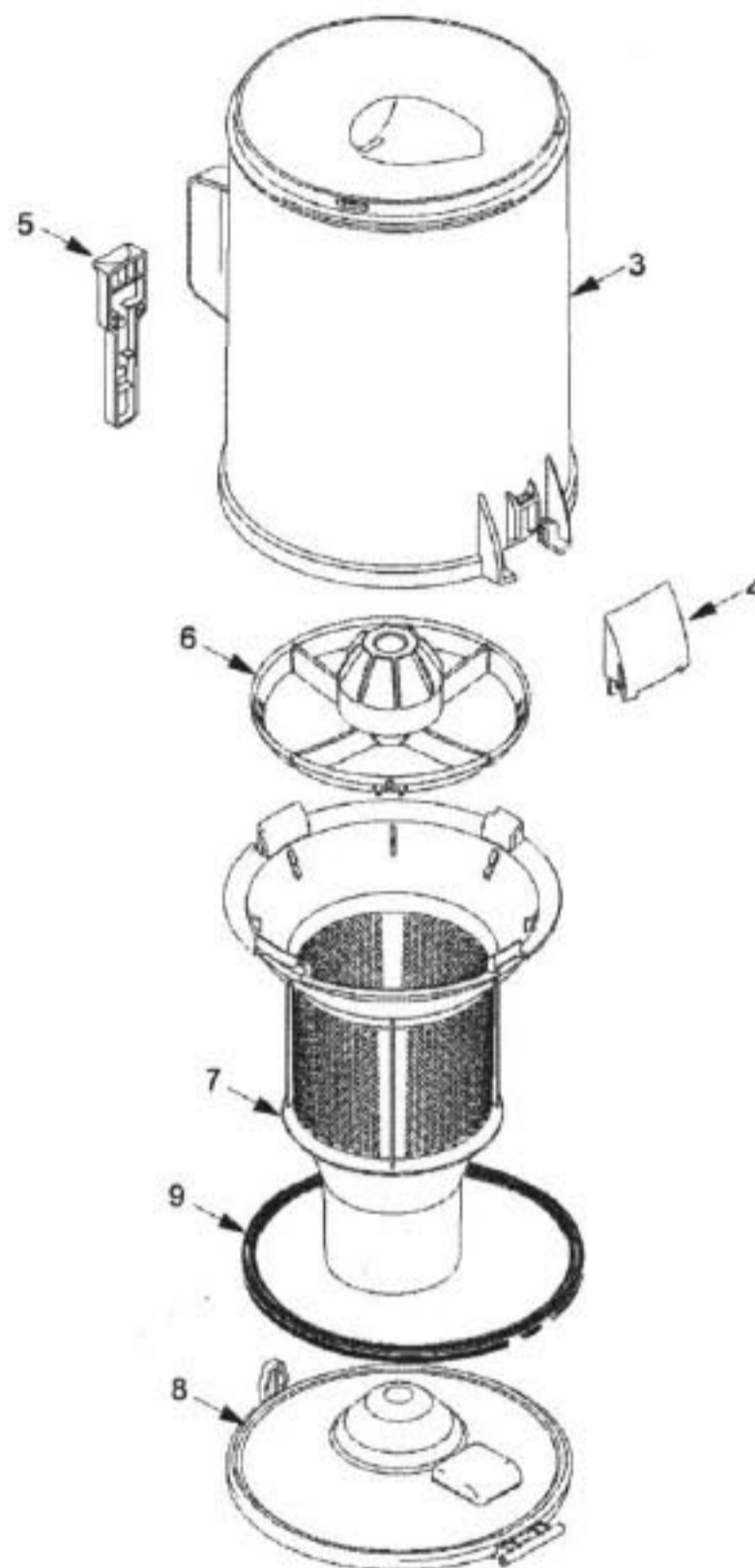
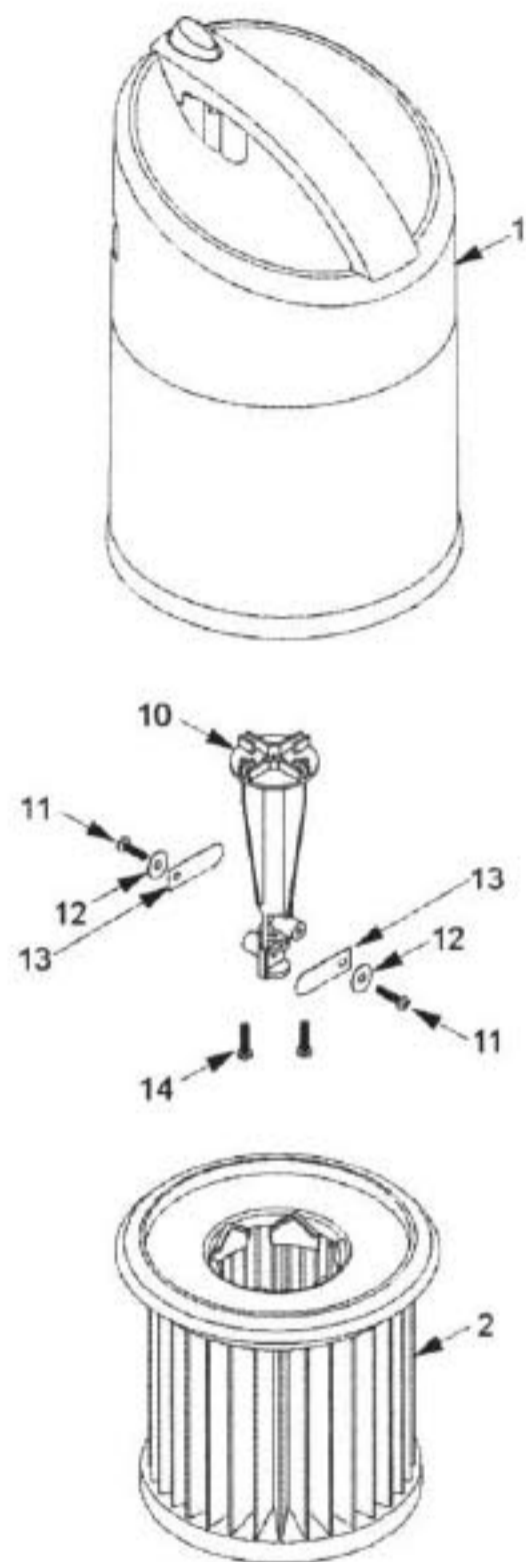
| Index | Part No. | Description              |
|-------|----------|--------------------------|
| 1     | N/A      | Nozzle Housing           |
| 2     | P-11426  | Upper Body               |
| 3     | P-10357  | Roller Shaft             |
| 4     | N/A      | Nozzle Roller Assembly   |
| 5     | P-11427  | Body Cap                 |
| 6     | P-6140   | Screw (10 pack)          |
| 7     | P-11421  | Furniture Guard          |
| 8     | P-11599  | Belt Shifter Assembly    |
| 9     | N/A      | Pedal Shaft              |
| 10    | P-9857   | Pedal Spring             |
| 11    | P-11424  | Pedal                    |
| 12    | P-4104   | Screw (10 pack)          |
| 13    | P-683    | Screw for body (10 pack) |
| 14    | P-11600  | Nozzle Packing (foam)    |
| 15    | N/A      | Nozzle Hose              |
| 16    | P-11371  | Agitator Unit            |
| 17    | P-11369  | Belt                     |
| 18    | P-11422  | Lower Plate              |
| 20    | P-11423  | Latch                    |
| 21    | P-111641 | Belt Guard               |
| 22    | N/A      | Floor Nozzle Spring      |
| 23    | P-10835  | Foot Pedal Cover         |
| 24    | P-11601  | Spring                   |
| 25    | P-11428  | Nozzle Roller Cam        |

## HANDLE



| Index | Part No. | Description     |
|-------|----------|-----------------|
| 1     | N/A      | Handle Assembly |
| 2     | N/A      | Tool Caddy      |

## DUST BIN



| Index | Part No. | Description         |
|-------|----------|---------------------|
| 1     | N/A      | Dust Box Lid Unit   |
| 2     | N/A      | Filter Unit         |
| 3     | N/A      | Filter Case         |
| 4     | N/A      | Lid Holding Bracket |
| 5     | N/A      | Slider              |
| 6     | N/A      | Supporter Belt      |
| 7     | N/A      | Pre-Filter          |
| 8     | N/A      | Dust Box Plate      |
| 9     | N/A      | Gasket C            |
| 10    | N/A      | Spring Holder       |
| 11    | P-11597  | Screw (10 pack)     |
| 12    | N/A      | Washer (10 pack)    |
| 13    | N/A      | Spring Filter       |
| 14    | P-10500  | Screw (10 pack)     |