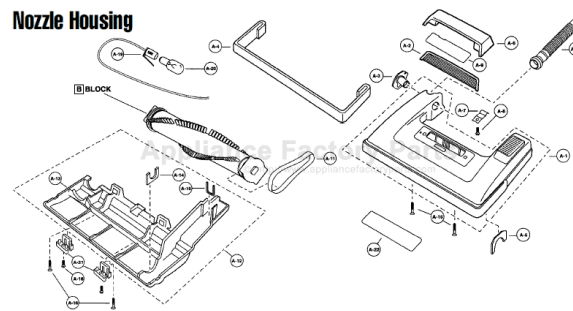


This Owner's Manual is provided and hosted by [Appliance Factory Parts](#).



# PANASONIC V5117 Owner's Manual

[Shop genuine replacement parts for PANASONIC  
V5117](#)



[Find Your PANASONIC Vacuum Cleaner Parts - Select From 605 Models](#)

----- Manual continues below -----

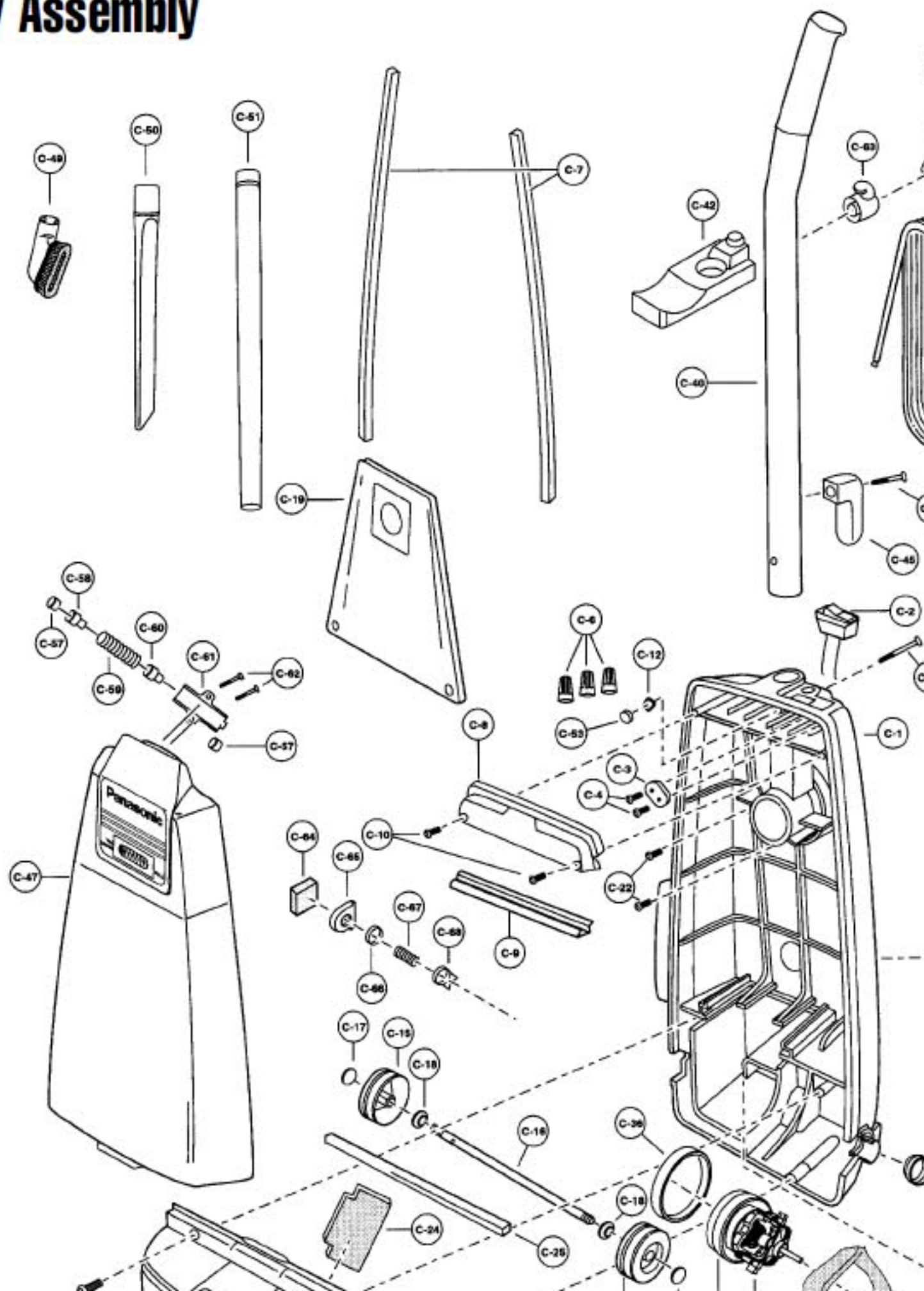


# PANASONIC

# V-5

Models: MC-V5007, MC-V5027, MC-V5107, MC-V5117

## Body Assembly



# PANASONIC

V-

Models: MC-V5007, MC-V5027, MC-V5107, MC-V5117

1 .... P-5493 .....	Dust Compartment, V5007	34 .. P-0037 .....	Screw, brush
1 .... P-10869 .....	Dust Compartment, V5027	35 .. P-9931 .....	Noise Suppressor
1 .... P-8826 .....	Dust Compartment, V5107, V5117	35 .. P-99300 .....	Noise Suppressor, V5107
2 .... P-8913 .....	On/Off Switch	35 .. P-10670 .....	Noise Suppressor, V5027
3 .... P-10870 .....	Cord Stopper	36 .. P-0293 .....	Motor Support Rubber, front
4 .... P-6140 .....	Screw, cord stopper	37 .. P-10338 .....	Motor Support Rubber, rear
5 .... P-0697 .....	Power Cord	38 .. P-37020 .....	Wire Cord
5 .... P-10507 .....	Power Cord, V5027	38 .. P-3820 .....	Wire Cord, V5107
6 .... P-000623 .....	Wire Connector	39 .. P-000623 .....	Wire Connector
7 .... P-660106 .....	Packing, dust container	40 .. P-6412 .....	Handle
7 .... P-10871 .....	Packing, dust container, V5027	40 .. P-9835 .....	Handle, V5027
7 .... P-66106 .....	Packing, dust container, V5107	40 .. P-50106 .....	Grip, handle, V5107
8 .... P-30606 .....	Switch Cover	41 .. P-9836 .....	Upper Cord Storage Hook
8 .... P-10872 .....	Switch Cover, V5027	42 .. P-9837 .....	Hose Holder
8 .... N/A .....	Switch Cover, V5107	43 .. P-7670 .....	Spring, cord hook
9 .... P-73006 .....	Packing, switch cover	44 .. P-587 .....	Washer, cord storage hook
9 .... P-7306 .....	Packing, switch cover, V5107	45 .. P-9838 .....	Lower Cord Storage Hook
10 .. P-6140 .....	Screw, switch cover	46 .. P-43096 .....	Screw, cord storage hook
11 .. P-7301 .....	Screw, handle	47 .. P-5921 .....	Dust Cover, V5007
12 .. P-2117 .....	Nut, handle screw	47 .. P-10875 .....	Dust Cover, V5027
13 .. P-3200 .....	Filter Supporter	47 .. P-6004 .....	Dust Cover, V5107
14 .. P-375 .....	Secondary Filter, foam	47 .. P-5922 .....	Dust Cover, V5117
14 .. P-37100 .....	Secondary Filter, electrostatic	48 .. P-34206 .....	Hose, V5007
15 .. P-0114 .....	Wheel	48 .. P-8917 .....	Hose, V5027, V5117
15 .. P-0062 .....	Wheel, V5107	49 .. P-6088 .....	Dusting Brush, V5117
16 .. P-16005 .....	Shaft, wheel	49 .. P-6088 .....	Dusting Brush, V5107
17 .. P-74009 .....	Stopper, wheel	50 .. P-6069 .....	Crevice Tool, V5107, V5117
18 .. P-6115 .....	Washer	50 .. P-60104 .....	Wand, extension, V5107
19 .. P-141M .....	Paper Bag, type U6, 3 pk, micron	51 .. P-60104 .....	Wand, extension, V5117
19 .. P-115P .....	Paper Bag, U3, 3 pk	52 .. P-00104 .....	Wire Tie
20 .. P-000625 .....	Suction Inlet, V5007	53 .. P-6106 .....	Packing, nut, handle screw
20 .. P-10860 .....	Suction Inlet, V5027	54 .. P-3990 .....	Packing, right
21 .. P-8915 .....	Cover, suction inlet, V5007, V5027	55 .. P-4160 .....	Packing, left
21 .. P-02006 .....	Cover, suction inlet, V5107, V5117	55 .. P-5860 .....	Packing, left, V5027
22 .. P-6140 .....	Screw, suction inlet	56 .. P-78 .....	Plastic Holder
23 .. P-5494 .....	Motor Case, V5007	57 .. P-9300 .....	Packing, indicator, V5107, V5117
23 .. P-10873 .....	Motor Case, V5027	58 .. P-000147 .....	Cap, indicator, V5107, V5117
23 .. P-0950 .....	Motor Case, V5107	59 .. P-0400 .....	Spring, indicator, V5107, V5117
23 .. P-5495 .....	Motor Case, V5117	60 .. P-000149 .....	Lead, indicator, V5107, V5117
24 .. P-201 .....	Packing, rear	61 .. P-000150 .....	Body, indicator, V5107, V5117
24 .. P-10913 .....	Packing, rear, V5027	62 .. P-4104 .....	Screw, indicator, V5107, V5117
25 .. P-1906 .....	Packing, motor case	63 .. P-550006 .....	Cord Storage Base, V5007
25 .. P-10825 .....	Packing, motor case, V5027	63 .. P-8916 .....	Cord Hook Base, V5027
25 .. P-00117 .....	Packing, motor case, V5107	64 .. P-333 .....	Protector Filter
26 .. P-6140 .....	Screw, motor case	65 .. P-000058 .....	Protector Supporter
26 .. P-8172 .....	Screw, motor case, V5027	66 .. P-692 .....	Protector
27 .. P-6096 .....	Protector, V5107, V5117	67 .. P-000057 .....	Protector Spring
28 .. P-9832 .....	Protector Spring, green, V5107, V5117	68 .. P-000056 .....	Protector Case

## Motor Repair Parts

1 .... P-0000  
2 .... P-0000  
3 .... P-0062  
4 .... P-0000  
4 .... P-0001  
5 .... P-6200