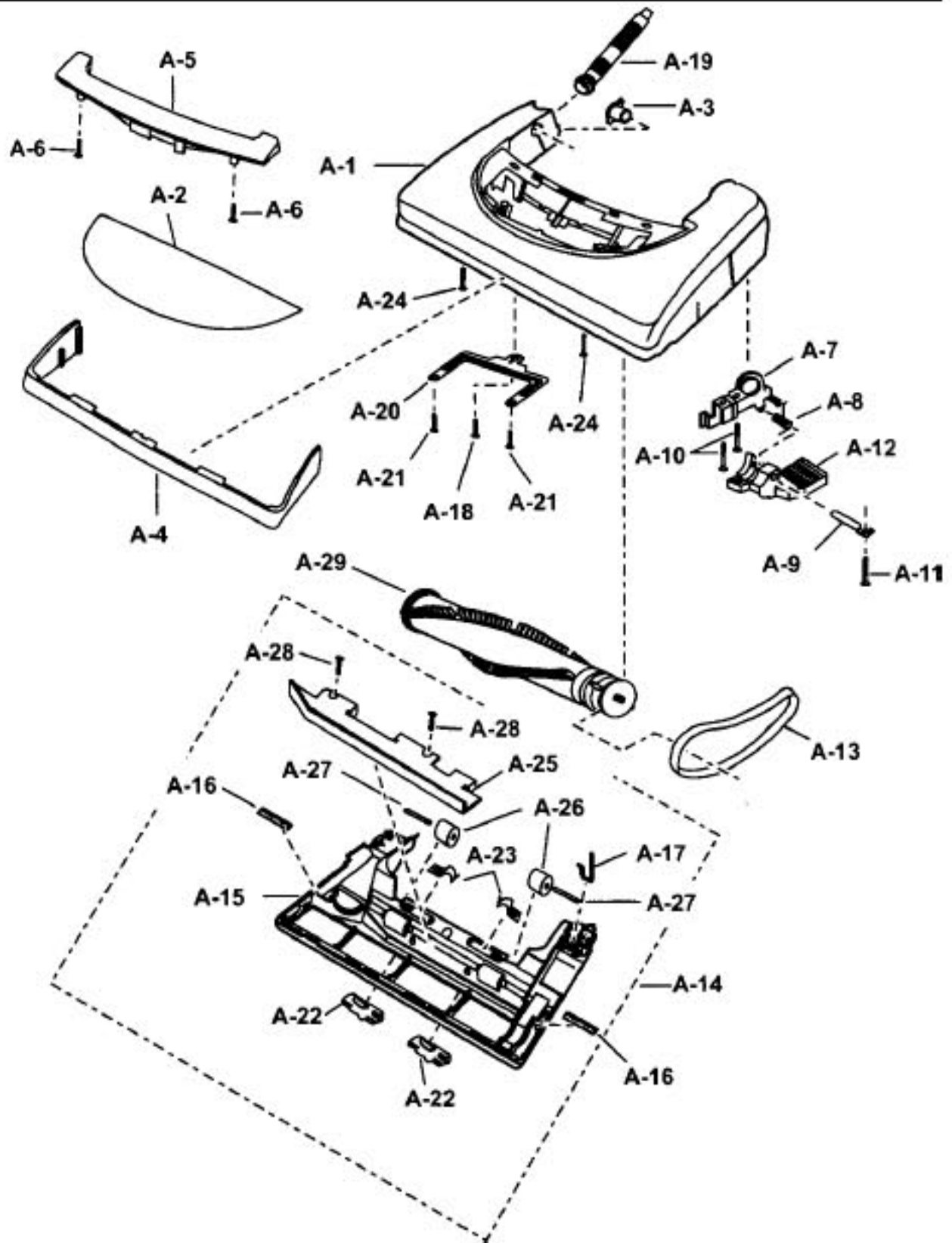


Models: MC-V5203

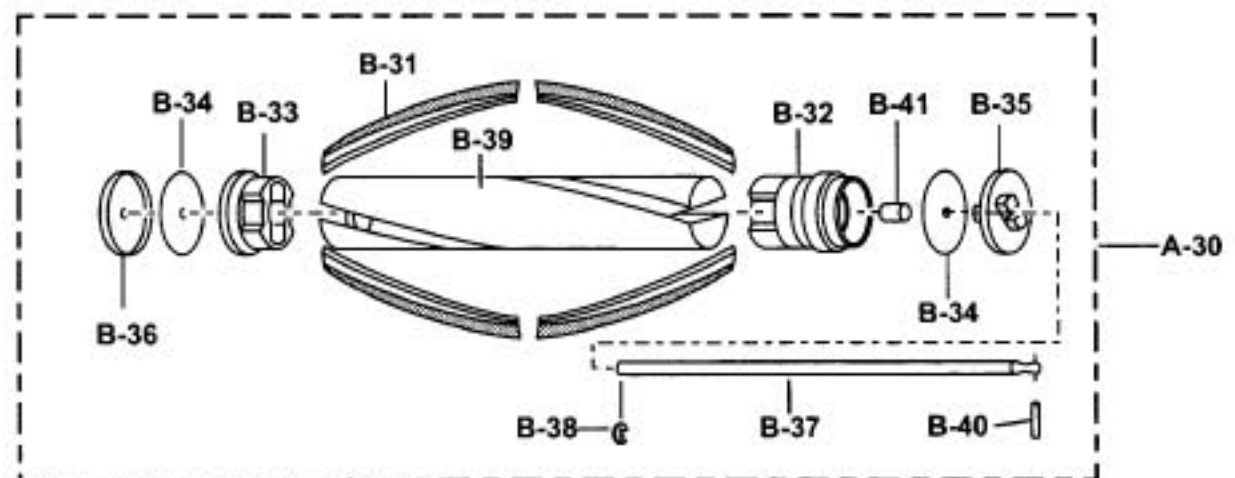
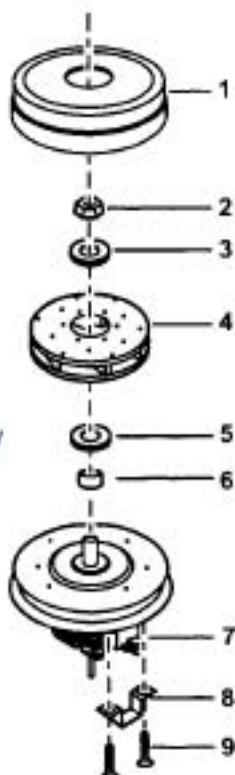
Nozzle Housing and Agitator Assembly

- 1 ... P-111504 Nozzle housing
- 2 ... P-111505 Window
- 3 ... P-10819 Plastic shaft
- 4 ... P-10351 Furniture guard
- 5 ... P-111506 Light cover
- 6 ... P-8172 Screw, light cover
- 7 ... P-000095 Frame
- 8 ... P-00010 Pedal spring
- 9 ... P-513 Pedal shift
- 10 ... P-4104 Screw, pedal assembly
- 11 ... P-6140 Screw, pedal assembly
- 12 ... P-4720 Pedal, handle release
- 13 ... P-00181 Belt
- 14 ... P-10672 Lower plate assembly
- 15 ... P-10681 Lower plate
- 16 ... P-10394 Lower plate packing
- 17 ... P-9861 Belt cover
- 18 ... P-6800 Screw, slider support
- 19 ... P-10304 Nozzle hose
- 20 ... P-10353 Slider support
- 21 ... P-000132 Screw, slider support
- 22 ... P-2444 Latch, lower plate
- 23 ... P-9846 Stop latch spring
- 24 ... P-683 Screw, latch
- 25 ... P-9766 Body, lower plate
- 26 ... P-111284 Wheel
- 27 ... P-10357 Roller shaft
- 28 ... P-0000132 Screw, lower plate
- 29 ... P-10682 Agitator assembly
- 31 ... P-10915 Brush, strips (set of 4)
- 32 ... P-10683 Pulley, agitator
- 33 ... P-111428 Holder, agitator
- 34 ... P-10760 filter, agitator
- 35 ... P-9708 Cap, left end
- 36 ... P-9709 cap, right end
- 37 ... 10684 Shaft, agitator
- 38 ... P-4003 E-clip
- 39 ... P-8403 Holder, brush
- 40 ... P-168 Pin, spring
- 41 ... P-10716 Spacer



Motor Fan Assembly

- 1 ... P-000067 Fan case
- 2 ... P-000068 Nut
- 3 ... P-00621 Washer
- 4 ... P-000152 Fan
- 5 ... P-6206 Washer
- 6 ... P-10329 Spacer
- 7 ... P-270091 Brush assembly
- 8 ... P-10444 Bracket
- 9 ... P-111510 Screws



Models: MC-V5203

Body

- | | | |
|----|----------|--------------------------|
| 1 | P- | Dust container, machined |
| 2 | P-9803 | Switch, on/off |
| 3 | P-10804 | Power cord |
| 4 | P-000623 | Wire nut |
| 5 | P-660106 | Packing dust container |
| 6 | P-30606 | Switch, cover |
| 7 | P-73006 | Packing, switch cover |
| 8 | P-6140 | Switch cover screw |
| 9 | P-7301 | Screw, handle |
| 10 | P-2117 | Nut, handle screw |
| 11 | P-3200 | Supporter, filter |
| 12 | P-9994 | HEPA filter, secondary |
| 13 | P-0114 | Wheel |
| 14 | P-10968 | Roller shaft |
| 15 | P-74009 | Wheel stopper |
| 16 | P-6115 | Washer |
| 17 | P-111477 | Dust bag |
| 18 | P-10449 | Screw, hose holder |
| 19 | P-8972 | Cover, inlet |
| 20 | P-000132 | Screw, inlet |
| 21 | P-111507 | Motor case |
| 22 | P-201 | Packing, rear cover |
| 23 | P-10825 | Packing, motor case |
| 24 | P-8172 | Screw, motor case |
| 25 | P-10533 | Fan motor |
| 26 | P-10384 | Cover cap |
| 27 | P-9912 | Screw, ground |
| 28 | P-10670 | Noise suppressor |
| 29 | P-10338 | Motor support, rear |
| 30 | P-0293 | Motor support, front |
| 31 | P-10385 | Wirecord |
| 32 | P-000623 | Wire nut |
| 33 | P-10461 | Handle |
| 34 | P-10816 | Motor lead assembly |
| 35 | P-111508 | Dust cover |
| 36 | P-8946 | Stretch hose |
| 37 | P-10403 | Hose holder |
| 38 | P-111695 | Tie cable |
| 39 | P-6096 | Motor protector |
| 40 | P-7089 | Protector spring, silver |
| 41 | P-111416 | Protector support |
| 42 | P-111417 | Protector case |
| 43 | P-10389 | Rubber protector |
| 44 | P-10390 | Flat washer |
| 45 | P-10391 | Cord retainer |
| 46 | P-6106 | Packing |
| 47 | P-11458 | Hose hook |
| 48 | P-6069 | Crevice tool |
| 49 | P-11208 | Dusting brush |
| 50 | P-60104 | Wand, extension |
| 51 | P-10863 | Wand holder |
| 52 | P-6140 | Screw, tool holder |
| 53 | P-93033 | Cap, motor |
| 54 | P-111509 | Handle assembly |

