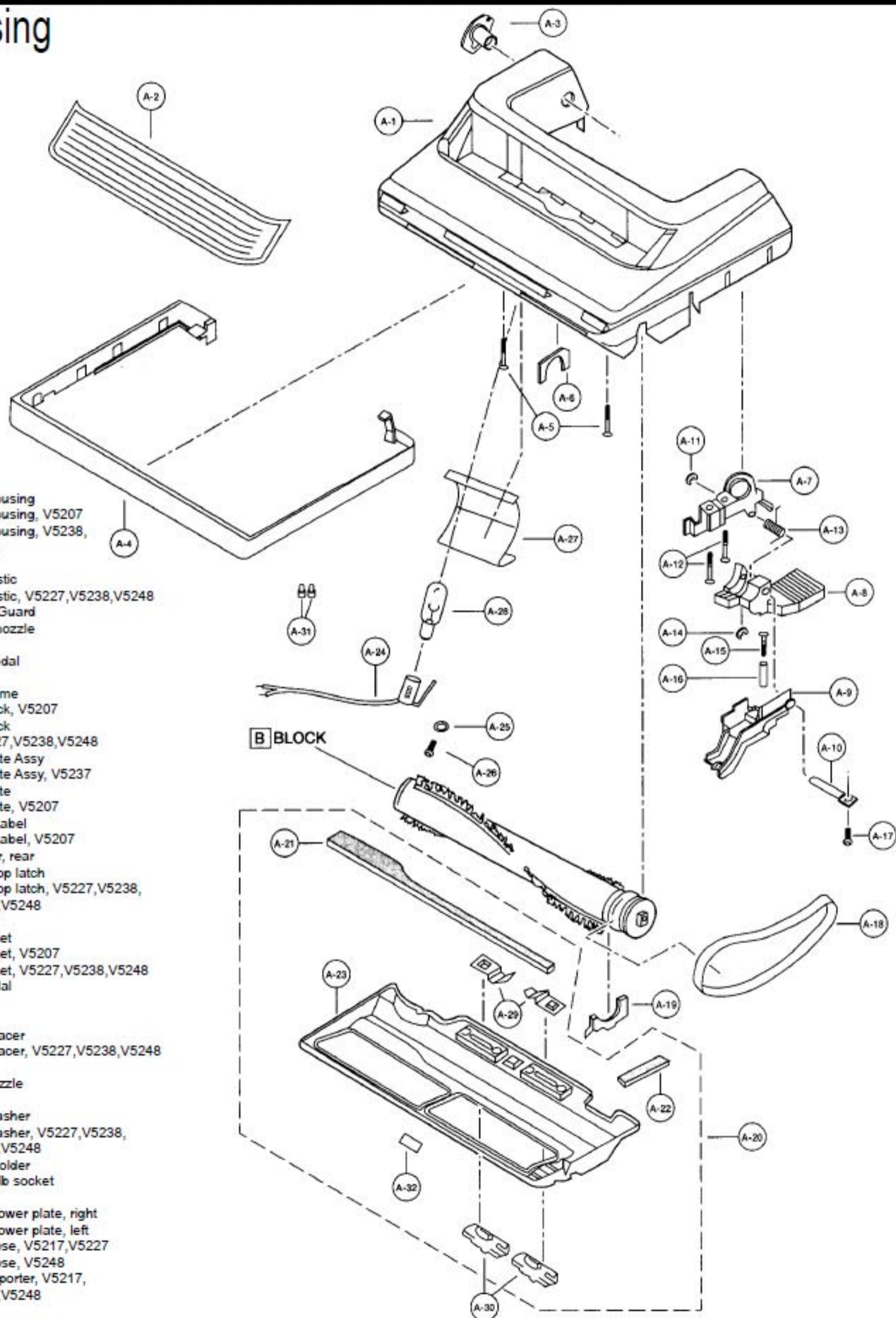


Models: MC-V5207, MC-V5217, MC-V5227, MC-V5237, MC-V5238, MC-V5247, MC-V5248

Nozzle Housing

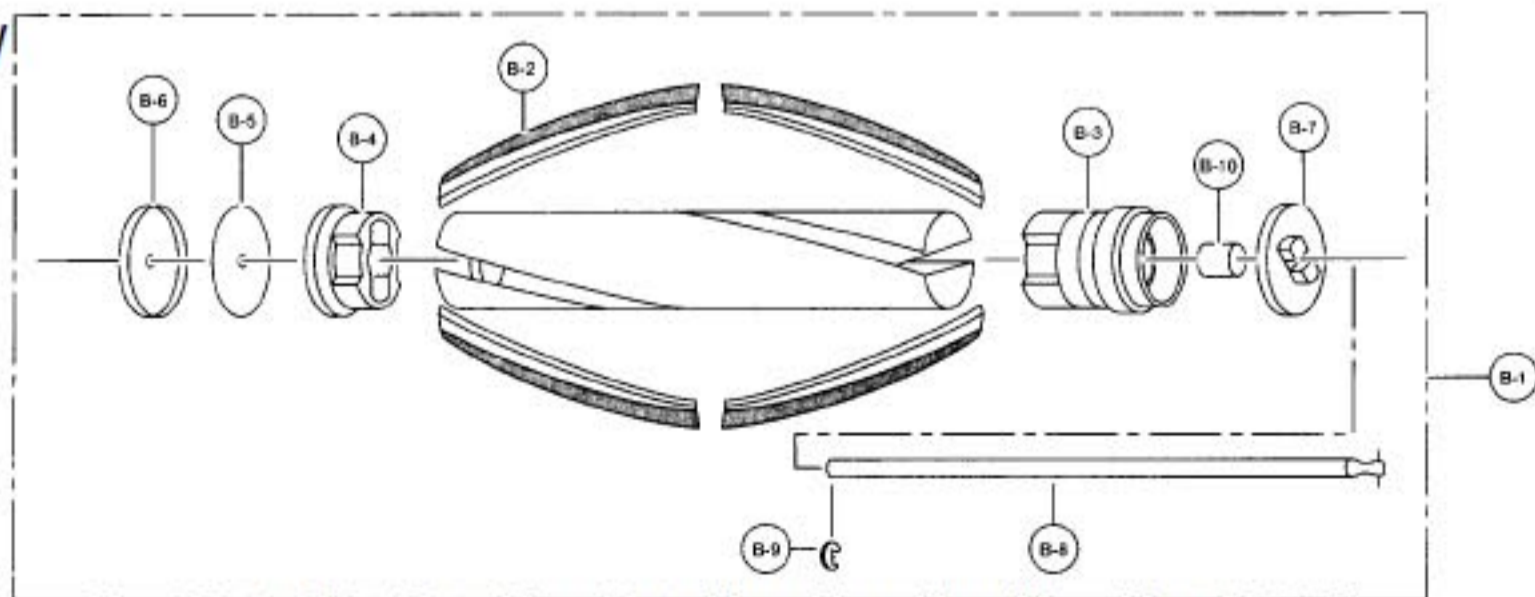
- | | | |
|---------|---------------|--|
| 1..... | P-8938..... | Nozzle Housing |
| 1..... | P-1104..... | Nozzle Housing, V5207 |
| 1..... | P-10857..... | Nozzle Housing, V5238, V5248 |
| 2..... | P-2125..... | Window |
| 3..... | P-2500..... | Shaft, plastic |
| 3..... | P-10819..... | Shaft, plastic, V5227, V5238, V5248 |
| 4..... | P-9825..... | Furniture Guard |
| 5..... | P-81..... | Packing, nozzle |
| 6..... | P-000095..... | Frame |
| 7..... | P-000010..... | Spring, pedal |
| 8..... | P-4720..... | Pedal |
| 9..... | P-6140..... | Screw, frame |
| 10..... | P-280B..... | Belt, 2 pack, V5207 |
| 10..... | P-V270B..... | Belt, 2 pack |
| 10..... | P-00181..... | Belt, V5227, V5238, V5248 |
| 11..... | P-8939..... | Lower Plate Assy |
| 11..... | P-8439..... | Lower Plate Assy, V5237 |
| 12..... | P-8942..... | Lower Plate |
| 12..... | P-000133..... | Lower Plate, V5207 |
| 13..... | P-9826..... | Warning Label |
| 13..... | P-07000..... | Warning Label, V5207 |
| 14..... | P-1124..... | Belt Cover, rear |
| 15..... | P-704..... | Spring, stop latch |
| 15..... | P-9846..... | Spring, stop latch, V5227, V5238, V5247, V5248 |
| 16..... | P-2751..... | Latch |
| 17..... | P-0039..... | Bulb Socket |
| 17..... | P-9301..... | Bulb Socket, V5207 |
| 17..... | P-9367..... | Bulb Socket, V5227, V5238, V5248 |
| 18..... | P-00051..... | Shaft, pedal |
| 19..... | P-7411..... | Spacer |
| 20..... | P-4003..... | E-Clip |
| 21..... | P-9827..... | Screw, spacer |
| 21..... | P-10812..... | Screw, spacer, V5227, V5238, V5248 |
| 22..... | P-10109..... | Reflector |
| 23..... | P-683..... | Screw, nozzle |
| 24..... | P-7550..... | Bulb |
| 25..... | P-4237..... | Spring, washer |
| 25..... | P-5045..... | Spring, washer, V5227, V5238, V5247, V5248 |
| 26..... | P-8220..... | Agitator Holder |
| 27..... | P-4104..... | Screw, bulb socket |
| 28..... | P-587..... | Washer |
| 29..... | P-392..... | Packing, lower plate, right |
| 30..... | P-742..... | Packing, lower plate, left |
| | P-7549..... | Nozzle Hose, V5217, V5227 |
| | P-10304..... | Nozzle Hose, V5248 |
| | P-2420..... | Hose Supporter, V5217, V5227, V5248 |



Models: MC-V5207, MC-V5217, MC-5227, MC-V5237, MC-V5238, MC-V5247, MC-V5248

1.....P-40906.....Dust Container, V5207, V5237	25.....P-27009.....Carbon Brush, V5207	46.....P-4104.....Screw, indicator, V5238,V5248
1.....P-8826.....Dust Container, V5217	25.....P-9834.....Carbon Brush, V5217	47.....P-2420.....Hose Supporter
1.....P-10917.....Dust Container, V5227	25.....P-8182.....Carbon Brush, V5227/37/38/47/48	48.....P-9835.....Handle
1.....P-10859.....Dust Container, V5238	26.....P-0036.....Bracket	48.....P-64200.....Handle, V5207
1.....P-10341.....Dust Container, V5247	27.....P-0037.....Screw, brush	49.....P-550006.....Cord Storage Base
1.....P-10862.....Dust Container, V5248	28.....P-9911.....Motor Support, rubber, rear	49.....P-8916.....Cord Storage Base, V5237,V5238
2.....P-8913.....On/Off Switch	28.....P-10338.....Motor Support, rubber, rear, V5227,V5238,V5248	50.....P-9836.....Cord Hook, upper
3.....P-7301.....Screw, handle	29.....P-9931.....Noise Suppressor	50.....P-53006.....Cord Hook, upper, V5207
4.....P-000625.....Suction Inlet	29.....P-99300.....Noise Suppressor, V5207	50.....P-53007.....Cord Hook, upper, V5227, V5238,V5248
5.....P-8914.....Suction Inlet, V5237	29.....P-10878.....Noise Suppressor, V5227	51.....P-7670.....Spring, cord hook
5.....P-10860.....Suction Inlet, V5238	29.....N/A.....Noise Suppressor, V5238	52.....P-587.....Washer
5.....P-8915.....Cover	30.....P-0950.....Motor Case, V5207	53.....P-43096.....Screw, cord hook
5.....P-8972.....Cover, V5217	30.....P-8943.....Motor Case, V5217	54.....P-9838.....Cord Hook, lower
6.....P-66106.....Packing, dust cover	30.....P-10876.....Motor Case, V5227	54.....P-54006.....Cord Hook, lower, V5207
6.....P-660106.....Packing, dust cover, V5227, V5238,V5248	30.....P-10861.....Motor Case, V5238,V5248	55.....P-97062.....Power Cord
7.....P-3820.....Wire Cord	30.....P-10342.....Motor Case, V5247	55.....P-9806.....Power Cord, V5237
7.....P-37020.....Wire Cord, V5217/47	31.....P-00117.....Packing, motor case, V5207	55.....P-10802.....Power Cord, V5238,V5248
8.....P-8917.....Nozzle Hose	31.....P-10825.....Packing, motor case, V5227	55.....P-9706.....Power Cord, V5247
8.....P-7549.....Nozzle Hose, V5217, V5247	31.....P-1906.....Packing, motor case, V5217, V5238,V5247,V5248	56.....P-115P.....Paper Bag, type U, 3 pack
9.....P-30606.....Switch Cover	32.....P-4160.....Body Packing, left, V5207	56.....P-145M.....Paper Bag, type U6, 3 pk, micro
9.....P-30406.....Switch Cover, V5207	33.....P-3905.....Body Packing, right, V5207	57.....P-000271.....Repair Screw, upper cord hook
10.....P-73006.....Packing, switch cover	34.....P-1806.....Protector Supporter	58.....P-000272.....Repair Screw, lower cord hook
10.....P-7306.....Packing, switch cover, V5207	35.....P-6096.....Protector	P-5360.....Hose Hook, ring, V5217
11.....P-6140.....Screw, switch cover	36.....P-9832.....Spring, protector, green	P-10340.....Hose Hook, ring, V5247,V5248
11.....P-6140.....Screw, switch cover, V5217,V5238, V5247	36.....P-10415.....Spring, protector, V5227	P-9837.....Hose Holder, V5217,V5227, V5248
12.....N/A.....Cord Stopper	37.....P-68006.....Case, protector, V5207	P-6088.....Dusting Brush, V5217/27/47/48
12.....P-0698.....Cord Stopper, V5227,V5237,V5238, V5247,V5248	37.....P-6806.....Case, protector, V5217,V5227	P-6069.....Crevice Tool, V5217/47
13.....P-6140.....Screw, cord stopper	38.....P-201.....Packing, rear cover	P-10805.....Crevice Tool, V5227,V5248
14.....P-6140.....Screw, suction inlet, V5207	38.....P-10918.....Packing, rear cover, V5227	P-8180.....Wand, with tabs, V5217/47
15.....P-2117.....Nut, handle screw	39.....P-6140.....Screw, motor case, V5207	P-10781.....Wand, with tabs, V5227,V5248
16.....P-000623.....Wire Nut, V5207,V5238,V5247, V5248	39.....P-8172.....Screw, motor case, V5227, V5238,V5248	P-60104.....Wand, extension, V5227,V5248
17.....P-74009.....Stopper, wheel	40.....P-6406.....Dust Cover, V5207	P-00104.....Wire Tire, V5217,V5227,V5247
17.....P-74001.....Stopper, wheel, V5207	40.....P-8945.....Dust Cover, V5217	P-10345.....Lead Wire, motor thermal protection
18.....P-0114.....Wheel	40.....P-10879.....Dust Cover, V5227	P-10712.....Lead Wire, motor thermal protection, V5227
19.....P-6115.....Washer	40.....P-8944.....Dust Cover, V5237	P-8184.....Ring Spacer, V5238,V5248
20.....P-16005.....Shaft, wheel	40.....N/A.....Dust Cover, V5238	P-10304.....Hose, V5238
21.....P-3200.....Filter Supporter	40.....P-10344.....Dust Cover, V5247	P-8946.....Hose, V5227,V5248
22.....P-9829.....Secondary Filter, electrostatic	40.....P-10864.....Dust Cover, V5248	P-10340.....Hose Ring, V5227
22.....P-9994.....Secondary Filter, HEPA, V5237, V5238, V5247,V5248	41.....P-9300.....Indicator Packing	P-10863.....Wand Holder, V5227,V5248
23.....P-0293.....Motor Support, rubber, front	42.....P-000147.....Indicator Cap	P-6140.....Screw, holder, V5227,V5248
24.....P-2908.....Motor Assy, V5207	43.....P-0400.....Indicator Spring	P-8972.....Cover, suction inlet, V5248
24.....P-10877.....Motor Assy, V5227	43.....P-10400.....Indicator Spring, V5238,V5248	P-10688.....Thermal Protector Unit
24.....P-9833.....Motor Assy, V5217	44.....P-000149.....Indicator Lead	P-10848.....Thermal Protector Unit, V5227
24.....P-7552.....Motor Assy, V5237	45.....P-000150.....Indicator Body	
24.....P-10343.....Motor Assy, V5238,V5247,V5248	45.....P-98109.....Indicator Body, V5238,V5248	
	46.....P-000610.....Screw, indicator	

Agitator Assembly



1.....P-5491.....Agitator Assy	4.....P-10801.....Agitator Holder, V5238,V5248	8.....P-5920.....Shaft
1.....NLA.....Agitator Assy, V5207	5.....P-10376.....Filter	8.....NLA.....Shaft, V5207
2.....P-5492.....Brush Strips, (4)	5.....NLA.....Filter, V5207	8.....P-10858.....Shaft, V5227,V5238,V5248
2.....P-85.....Brush Strips, (4), V5207	5.....P-10376.....Filter, V5238,V5248	9.....P-4003.....E-Clip
3.....P-5918.....Agitator Pulley	6.....P-9708.....End Cap, left	9.....NLA.....E-Clip, V5207
3.....NLA.....Agitator Pulley, V5207	6.....N/A.....End Cap, left, V5207	10.....NLA.....Spacer, V5207
4.....P-5919.....Agitator Holder	7.....P-9709.....End Cap, right	
4.....NLA.....Agitator Holder, V5207	7.....NLA.....End Cap, right, V5207	