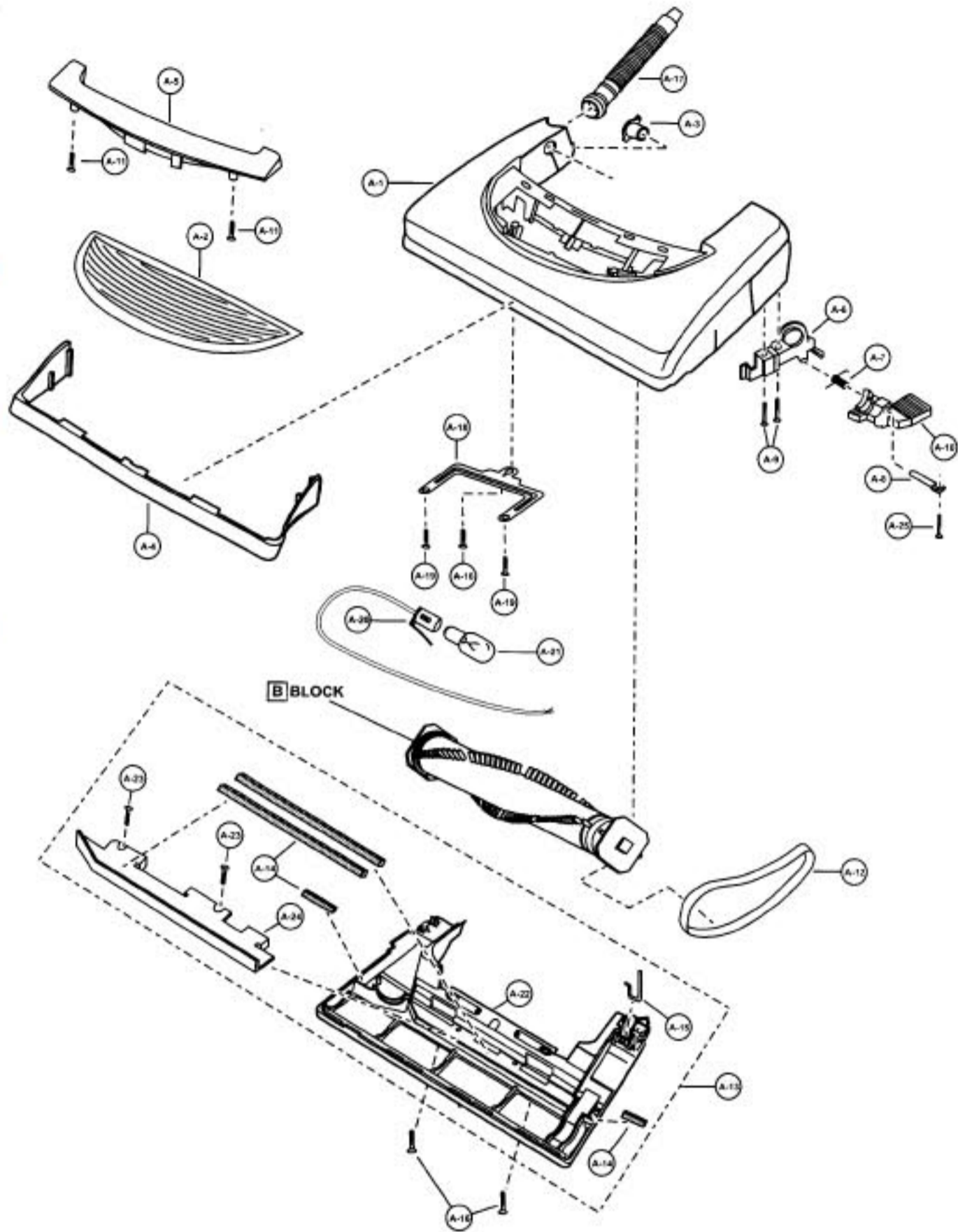


Models: MC-V5726

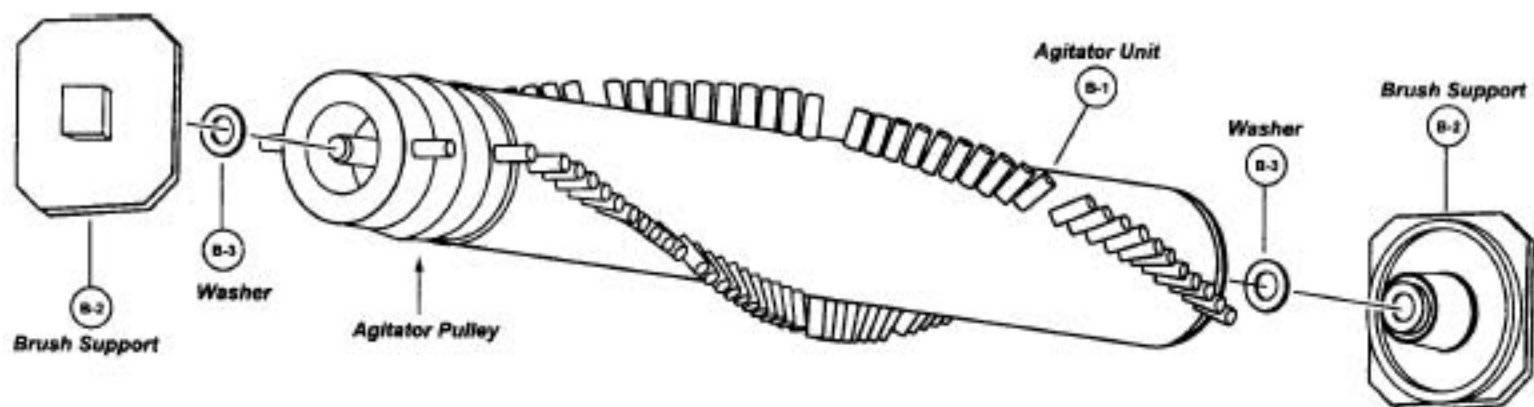
Nozzle Housing

- | | | |
|----|----------|-----------------------------------|
| 1 | P-111234 | Nozzle housing |
| 2 | P-9854 | Window |
| 3 | P-10819 | Shaft, plastic |
| 4 | P-10541 | Furniture guard |
| 5 | P-111414 | Light cover |
| 6 | P-000095 | Frame |
| 7 | P-9857 | Spring, pedal |
| 8 | P-513 | Shaft, pedal |
| 9 | P-4104 | Screw, handle release assembly |
| 10 | P-4720 | Pedal, black |
| 11 | P-8172 | Screw, light cover |
| 12 | P-V270B | Belt |
| 13 | P-10724 | Lower plate assembly |
| 14 | P-10394 | Packing, lower plate |
| 15 | P-9861 | Belt cover |
| 16 | P-6800 | Screw, lower plate/slider support |
| 17 | P-9862 | Nozzle hose, short |
| 18 | P-10353 | Slider support |
| 19 | P-6140 | Screw, slider support |
| 20 | P-9367 | Socket, bulb |
| 21 | P-7550 | Bulb |
| 22 | P-10725 | Lower plate |
| 23 | P-6140 | Screw, body lower plate |
| 24 | P-9766 | Body lower plate |
| 25 | P-6140 | Screw, handle release assembly |



Agitator Assembly

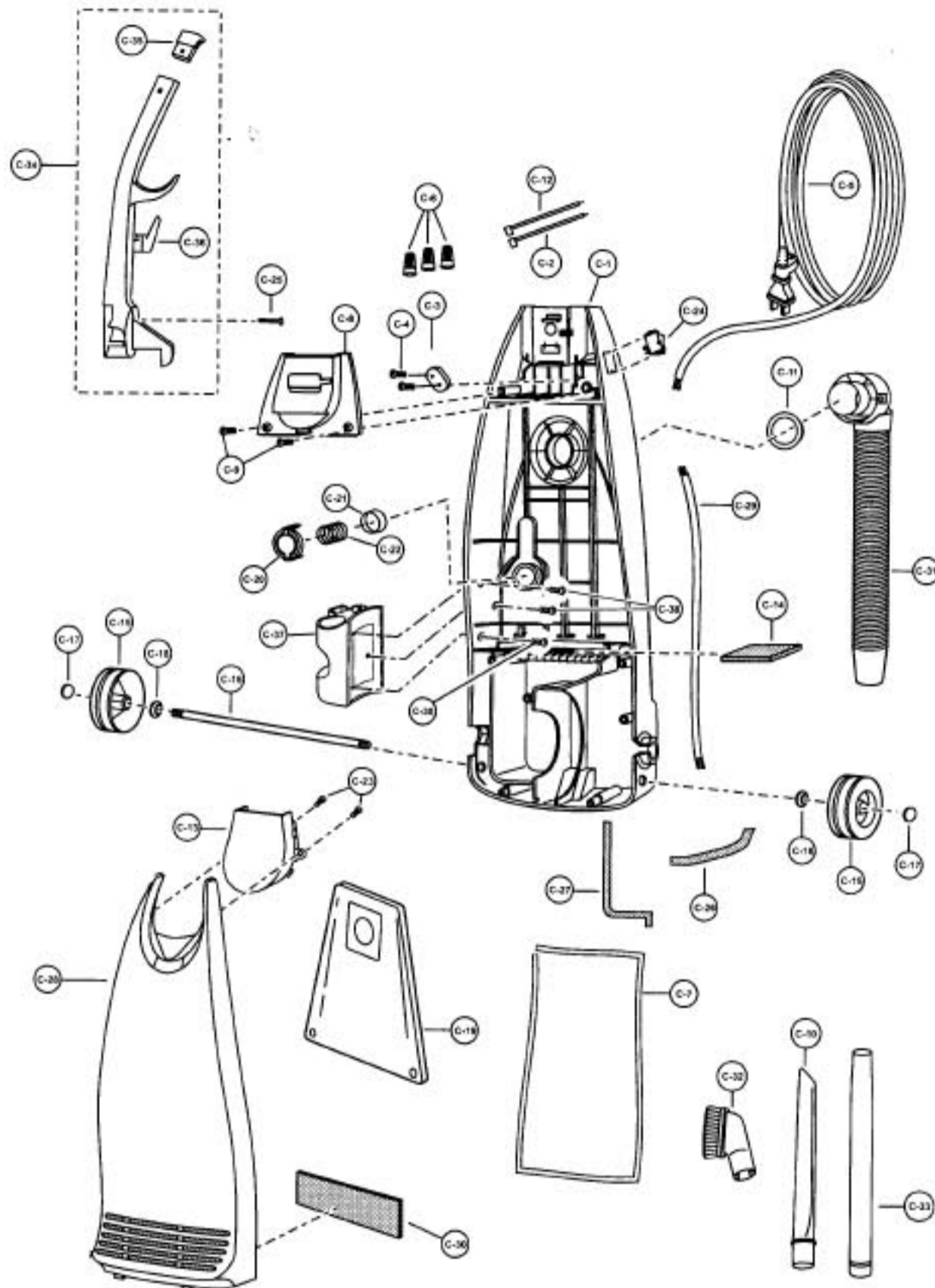
- | | | |
|---|---------|---------------|
| 1 | P-10650 | Agitator unit |
| 2 | P-7095 | Brush support |
| 3 | P-0030 | Washer |



Models: MC-V5726

Body

- | | | |
|----|----------|------------------------------|
| 1 | P-10843 | Dust compartment unit |
| 2 | P-10583 | Lead wire |
| 3 | P-0698 | Cord stopper |
| 4 | P-6140 | Screw, cord stopper |
| 5 | P-11018 | Power cord |
| 6 | P-000623 | Wire connector |
| 7 | P-10309 | Packing, dust compartment |
| 8 | P-10312 | Switch cover |
| 9 | P-6140 | Screw, switch cover |
| 10 | P-6069 | Crevice tool |
| 11 | P-10512 | Packing, suction inlet |
| 12 | P-4410 | Lead wire |
| 13 | P-10313 | Front cover |
| 14 | P-10314 | Secondary filter, foam |
| 15 | P-0114 | Wheel |
| 16 | P-10968 | Shaft, wheel |
| 17 | P-74009 | Stopper, wheel |
| 18 | P-6115 | Washer, wheel |
| 19 | P-145M | Dust bag, electrostatic |
| 20 | P-10315 | Protector cover |
| 21 | P-6096 | Protector |
| 22 | P-10316 | Protector spring, red |
| 23 | P-6140 | Screw, front cover |
| 24 | P-10602 | On/off switch |
| 25 | P-9907 | Handle screw |
| 26 | P-10317 | Packing, right |
| 27 | P-5860 | Packing, left |
| 28 | P-111235 | Dust cover |
| 29 | P-3820 | Wire cord |
| 30 | P-10600 | Exhaust filter, HEPA |
| 31 | P-10867 | Hose |
| 32 | P-11208 | Dusting brush |
| 33 | P-60104 | Extension wand, without tabs |
| 34 | P-10845 | Handle assembly |
| 35 | P-10322 | Handle cap |
| 36 | P-10323 | Upper cord storage hook |
| 37 | P-10863 | Wand holder |
| 38 | P-6140 | Screw, wand holder |



Motor Case and Motor

- | | | |
|----|----------|------------------------------|
| 1 | P-0293 | Motor support rubber, front |
| 2 | P-10846 | Fan motor unit |
| 3 | P-8182 | Carbon brush assembly |
| 4 | P-9823 | Screw, carbon brush assembly |
| 5 | P-8184 | Ring spacer |
| 6 | P-8183 | Motor support rubber, rear |
| 7 | P-10670 | Noise suppressor |
| 8 | P-000623 | Wire connector |
| 9 | P-11092 | Packing, rear cover |
| 10 | P-11196 | Motor case |
| 11 | P-6140 | Screw, motor case |
| 12 | P-10712 | Lead wire |
| 13 | P-10848 | Lead wire assembly |

