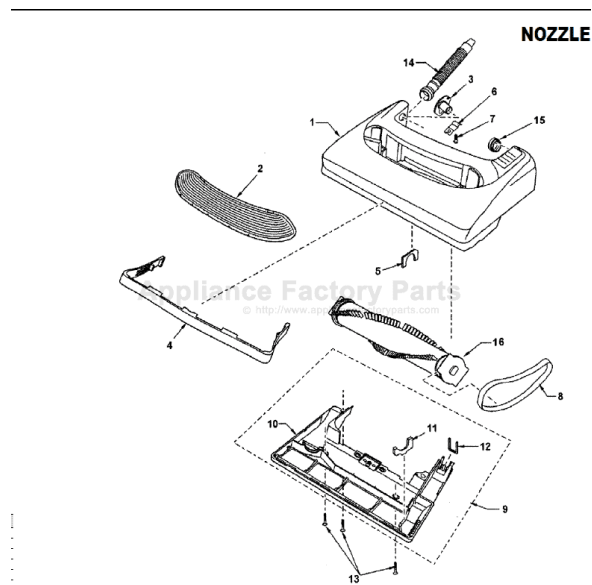


This Owner's Manual is provided and hosted by Appliance Factory Parts.



PANASONIC V5737 Owner's Manual

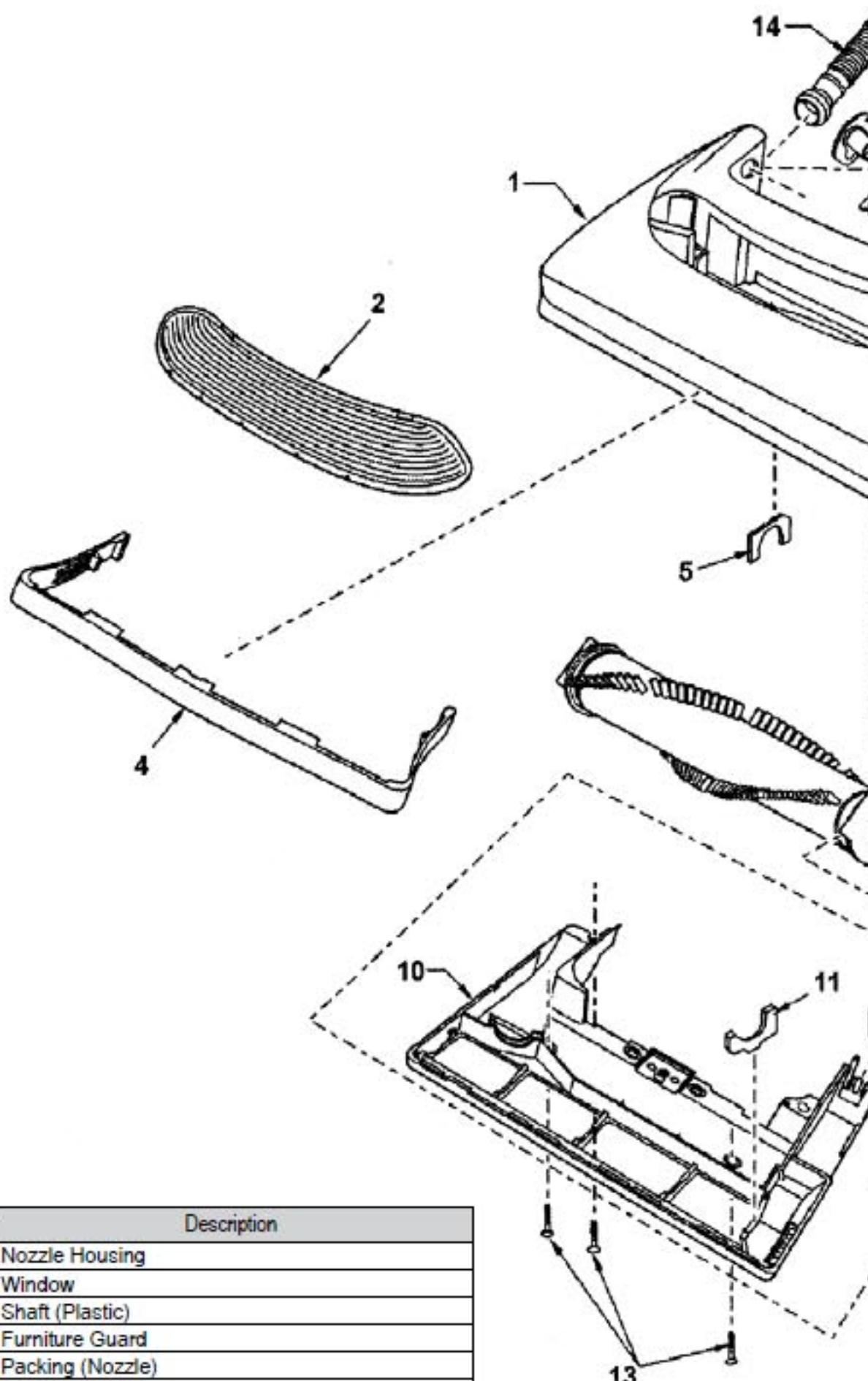
[Shop genuine replacement parts for PANASONIC
V5737](#)



[Find Your PANASONIC Vacuum Cleaner Parts - Select From 605 Models](#)

----- Manual continues below -----

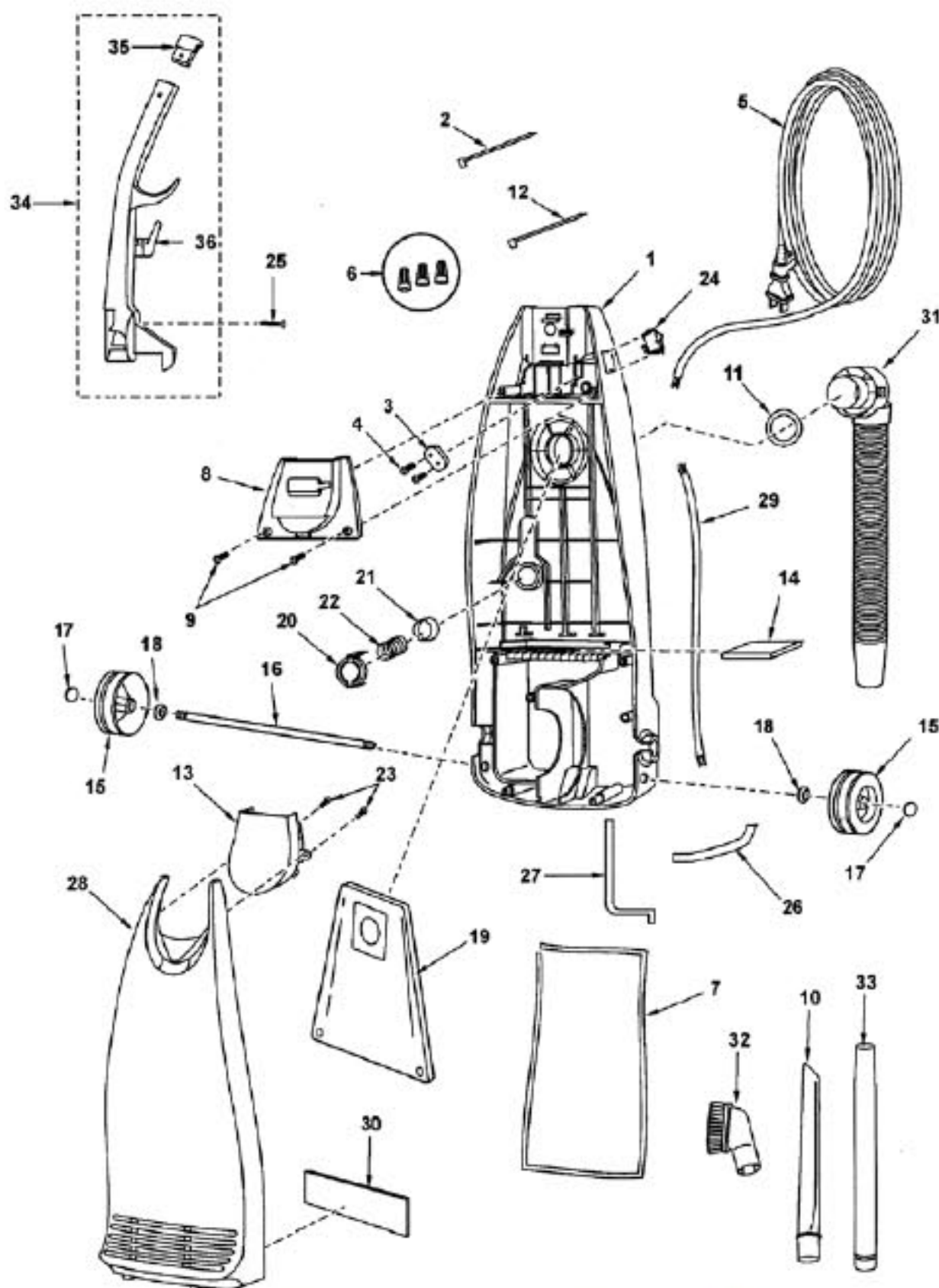
Models: MC-V5737



Index	Part No.	Description
1	P-11320	Nozzle Housing
2	P-10105	Window
3	P-10819	Shaft (Plastic)
4	P-11274	Furniture Guard
5	P-81	Packing (Nozzle)

PANASONIC

Models: MC-V5737



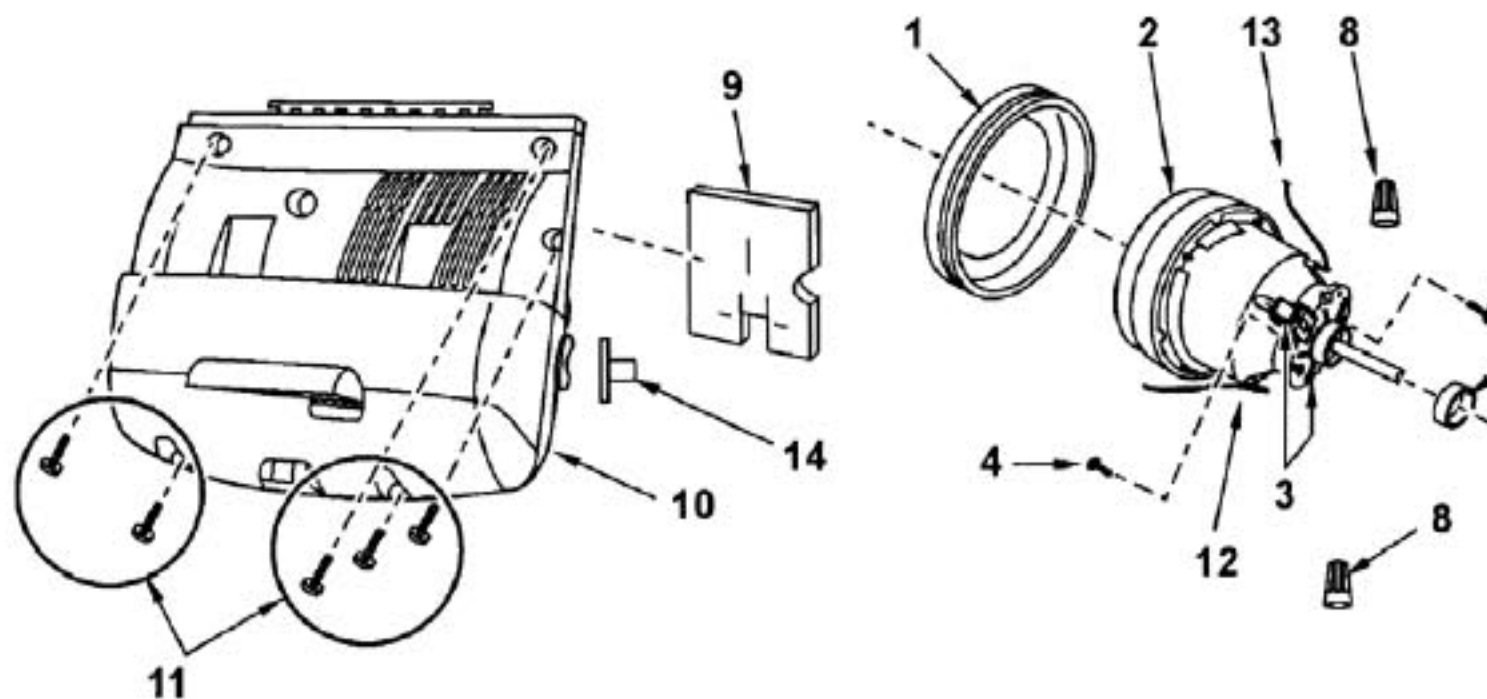
Index	Part No.	Description
1	P-11278	Dust Compartment
2	P-10508	Lead Wire (Black)
3	P-0698	Cord Stopper
4	P-6140	Screw (Cord Stopper)
5	P-11018	Power Cord
6	P-000623	Wire Connector
7	P-10309	Packing (Dust Compartment)

Index	Part No.	Description
19	P-115P	Dust Bag ()
20	P-10315	Protector ()
21	P-6096	Protector ()
22	P-10316	Protector S ()
23	P-6140	Screw (Fro ()
24	P-10602	On-off Swi ()
25	P-9907	Handle S ()

PANASONIC

Models: MC-V5737

MOTOR



Index	Part No.	Description
1	P-0293	Motor Support, Rubber (Front)
2	P-10846	Fan Motor Unit
3	P-8182	Carbon Brush Assembly
4	P-9823	Screw (Carbon Brush Assembly)
5	P-8184	Ring Spacer
6	P-8183	Motor Support, Rubber (Rear)