

This Owner's Manual is provided and hosted by [Appliance Factory Parts](#).



PANASONIC V5746 Owner's Manual

[Shop genuine replacement parts for PANASONIC
V5746](#)



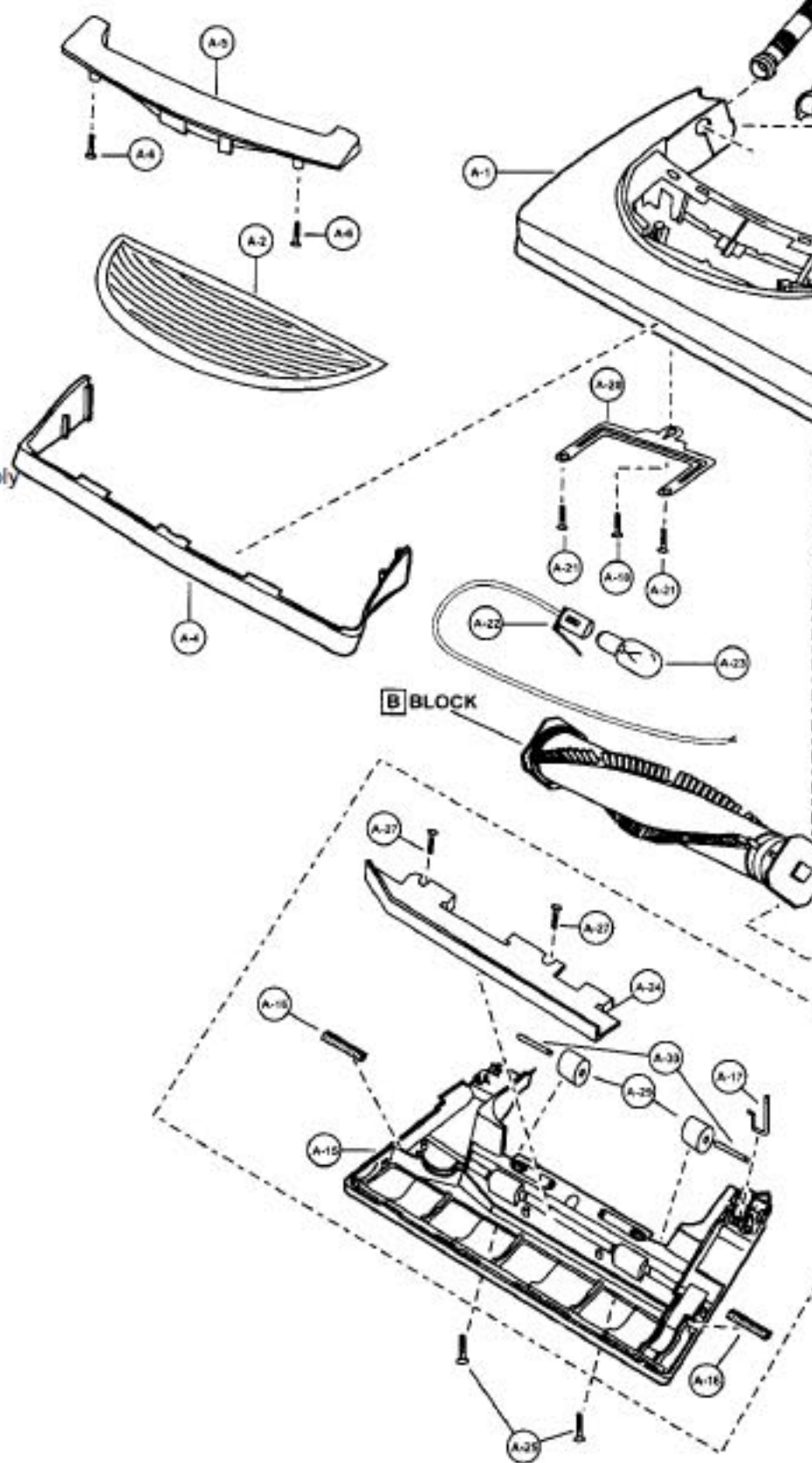
[Find Your PANASONIC Vacuum Cleaner Parts - Select From 605 Models](#)

----- Manual continues below -----

Models: MC-V5744, MC-V5746

Nozzle Housing

- | | | |
|---------|----------|--|
| 1..... | P-111606 | Nozzle housing, V5744 |
| | P-11129 | Nozzle housing, V5746 |
| 2..... | P-9854 | Window |
| 3..... | P-10819 | Shaft, plastic, V5746 |
| | P-2500 | Shaft, plastic, V5744 |
| 4..... | P-10541 | Furniture guard, V5746 |
| | P-1035 | Furniture guard, V5744 |
| 5..... | P-111605 | Light cover |
| 6..... | P-8172 | Screw, light cover |
| 7..... | P-10733 | Carpet/bare floor, handle release assembly |
| 8..... | P-9857 | Spring, pedal, V5746 |
| | P-000010 | Spring, pedal, V5744 |
| 9..... | P-513 | Shaft, pedal |
| 10..... | P-02181 | Screw, pedal/frame assembly |
| 11..... | P-4720 | Pedal, black |
| 12..... | P-10207 | Foot pedal cover, V5746 |
| | P-111607 | Foot pedal cover, V5744 |
| 13..... | P-00181 | Belt |
| 14..... | P-9764 | Lower plate assembly |
| 15..... | P-9765 | Lower plate |
| 16..... | P-10394 | Packing, lower plate/body |
| 17..... | P-9861 | Belt cover |
| 18..... | P-6800 | Screw, slider support |
| 19..... | P-10304 | Nozzle hose |
| 20..... | P-10353 | Slider support |
| 21..... | P-6140 | Screw, slider support |
| 22..... | P-9367 | Socket, bulb |
| 23..... | P-7560 | Bulb, V5746 |
| | P-7550 | Bulb, V5744 |
| 24..... | P-9766 | Body, lower plate |
| 25..... | P-6800 | Screw, lower plate |
| 26..... | P-98103 | Packing, nozzle |
| 27..... | P-6140 | Screw, body/lower plate |
| 28..... | P-02184 | Spring, shifter return |
| 29..... | P-9888 | Wheel, V5746 |
| | P-111284 | Wheel, V5744 |
| 30..... | P-10357 | Shaft, wheel |

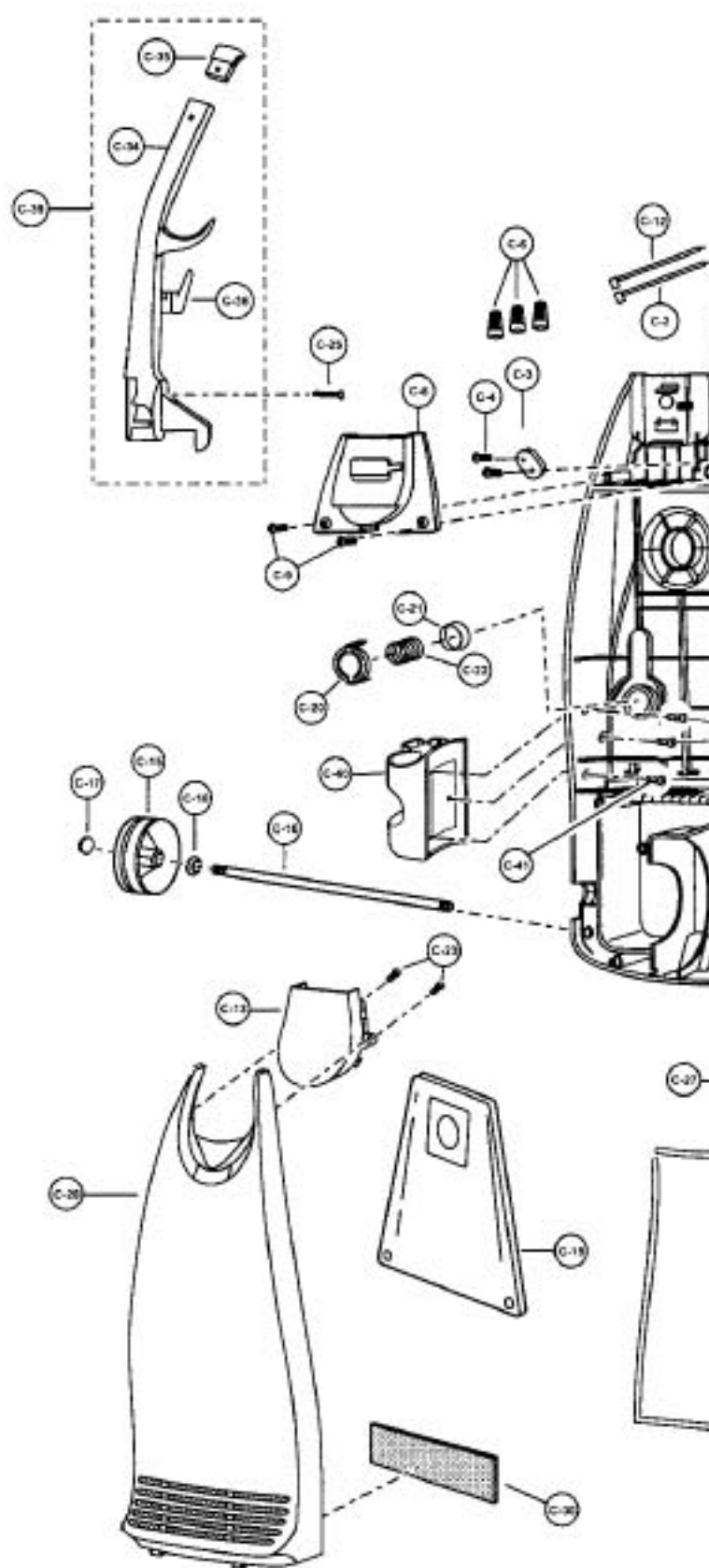


Agitator Assembly

Models: MC-V5744, MC-V5746

Body

- | | | |
|---------|----------|--------------------------------|
| 1..... | P-111320 | Dust compartment unit, V5746 |
| | P-111608 | Dust compartment unit, V5744 |
| 2..... | P-10508 | Lead wire |
| 3..... | P-0698 | Cord stopper, V5746 |
| | P-10870 | Cord stopper, V5744 |
| 4..... | P-6140 | Screw, cord stopper |
| 5..... | P-11018 | Power cord, V5746 |
| | P-97062 | Power cord, V5744 |
| 6..... | P-000623 | Wire connector |
| 7..... | P-10309 | Packing, dust compartment |
| 8..... | P-10312 | Switch cover |
| 9..... | P-6140 | Screw, switch cover |
| 10..... | P-6069 | Crevice tool |
| 11..... | P-10512 | Packing, suction inlet |
| 12..... | P-10508 | Lead wire, V5746 |
| | P-4410 | Lead wire, V5744 |
| 13..... | P-10313 | Front cover, V5746 |
| | P-111581 | Front cover, V5744 |
| 14..... | P-10314 | Secondary filter, foam |
| 15..... | P-0114 | Wheel, V5746 |
| | P-111693 | Wheel, V5744 |
| 16..... | P-10968 | Shaft, wheel |
| 17..... | P-74009 | Stopper, wheel |
| 18..... | P-6115 | Washer, wheel |
| 19..... | P-145M | Dust bag, electrostatic, V5746 |
| | P-111387 | Dust bag, electrostatic, V5744 |
| 20..... | P-10315 | Protector cover |
| 21..... | P-6096 | Protector |
| 22..... | P-10316 | Protector spring, red |
| 23..... | P-6140 | Screw, front cover |
| 24..... | P-10602 | On/off switch |
| 25..... | P-9907 | Handle screw |
| 26..... | P-10317 | Packing, right |
| 27..... | P-5860 | Packing, left |
| 28..... | P-111230 | Dust cover, V5746 |
| | P-111609 | Dust cover, V5744 |
| 29..... | P-3820 | Wire cord, V5746 |
| | P-37020 | Wire cord, V5744 |
| 30..... | P-10600 | Exhaust filter, HEPA |
| 31..... | P-1847 | Hose |
| 32..... | P-6088 | Dusting brush |
| 33..... | P-60104 | Extension wand, without tabs |
| 34..... | P-10321 | Handle, V5746 |
| | P-111610 | Handle, V5744 |
| 35..... | P-10322 | Handle cap, V5746 |
| | P-111584 | Handle cap, V5744 |
| 36..... | P-10323 | Upper cord storage hook |
| 37..... | P-8180 | Wand, with tabs |
| 38..... | P-111231 | Hose ring, V5746 |
| | P-9873 | Hose ring, V5744 |
| 39..... | P-10845 | Handle assembly, V5746 |
| | P-111583 | Handle assembly, V5744 |
| 40..... | P-111611 | Wand holder |
| 41..... | P-6140 | Screw, wand holder |



Motor Case and Motor

- | | | |
|--------|---------|-----------------------------|
| 1..... | P-0293 | Motor support rubber, front |
| 2..... | P-10855 | Fan motor unit |
| 3..... | P-8182 | Carbon brush assembly |

C-1