

This Owner's Manual is provided and hosted by [Appliance Factory Parts](#).



Centro 85-1650-4, 2800 NG (2008) Owner's Manual

[Shop genuine replacement parts for Centro 85-1650-4,
2800 NG \(2008\)](#)



[Find Your Centro Grill Parts - Select From 150 Models](#)

----- Manual continues below -----



Centro 2800 Assembly Manual

85-1614-2 (G41201) Propane
85-1650-4 (G41202) Natural Gas

Limited 3-Year Warranty

Read and save manual for future reference.

**Assemble your grill immediately.
Missing or damaged parts should be
claimed within 15 days of purchase.**

Manual Revision #: 121407



HEAVY ARTICLE NEEDS 2 TO LIFT

THIS MANUAL MUST REMAIN WITH THE PRODUCT AT ALL TIMES

To ORDER non-warranty replacement parts or accessories, or to register your warranty, please visit us on the web at www.centrobbqs.com.

⚠ CAUTION

Sharp edges. Wear gloves when assembling your grill.

⚠ CAUTION

Read and follow all safety statements, assembly instructions, and use and care directions before attempting to assemble and cook.

⚠ INSTALLER OR ASSEMBLER/CONSUMER

This manual should be kept with the BBQ at all times.

⚠ WARNING

Failure to follow all of the Manufacturer's instructions could result in hazardous fires, explosions, property damage, or serious personal injury or even death.

Follow all leak check procedures carefully prior to operation of barbecue, even if grill was dealer assembled. Do not try to light this barbecue without reading the Lighting Instructions section of this manual.

⚠ DANGER

1. If you smell Gas:
 - a. Shut off gas to the appliance
 - b. Extinguish any open flame
 - c. Open lid
 - d. If odor continues, keep away from the appliance and immediately call your gas supplier or your fire department
 2. Do not store or use gasoline or other flammable vapours and liquids in the vicinity of this or any other appliance.
 3. An LP cylinder not connected for use shall not be stored in the vicinity of this or any other appliance.
 4. Requires two people to complete the assembly process.
 5. Beware of sharp edges.
-

THIS BARBECUE IS FOR OUTDOOR USE ONLY

CONTACT CALL CENTRE IF ANY PARTS ARE MISSING

HARDWARE PACK

TOOLS NEEDED FOR ASSEMBLY

- #2 Phillips screwdriver (long and short)
- ¼" Slotted screwdriver (long and short)
- Adjustable wrench
- Pliers

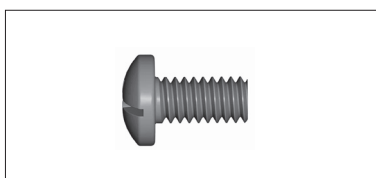
Before assembling the barbecue, read these instructions carefully.

Assemble the barbecue on a flat, clean surface. Grill is heavy. You should have at least two people assemble the barbecue together.

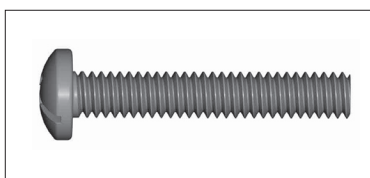
Notes: Do not fully tighten all the nuts during this initial stage.

No.	Description	Part Number	Quantity
1	1/4"-20UNCX13 Screw	20120-13013-250	6
2	1/4"-20UNCX38 Screw	20120-13038-250	4
3	1/4"-20UNCX16 Screw	20120-13016-250	4
4	ø7 Lock Washer	41400-07000-250	14
5	ø7 Washer	40300-07000-250	14
6	NO.10-24UNCx10 Screw	20124-10010-250	20
7	ø 5 Lock Washer	41400-05000-250	24
8	ø 5 Washer	40300-05000-250	24
9	ST4.2x10 Tapping Screw	22500-42010-137	1
10	Wrench	G413-0032-9082	1
11	NO.10-24UNCx13 Screw	20124-10013-250	4

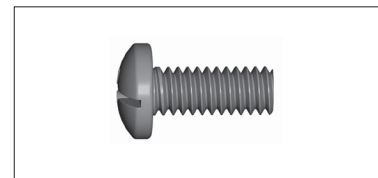
⚠ Caution:
Sheet metal can cause injury. Wear gloves when installing the grill.



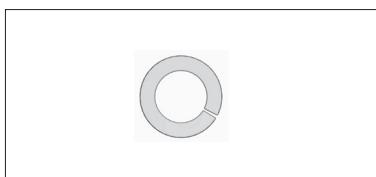
1. ¼" - 20UNCX13 Screw (x6)



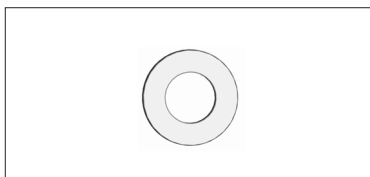
2. ¼" - 20UNCX38 Screw (x4)



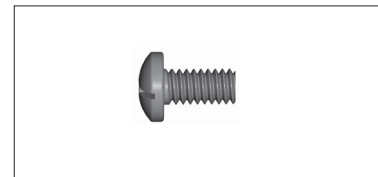
3. ¼" - 20UNCX16 Screw (x4)



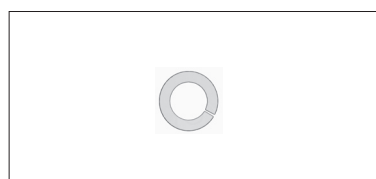
4. ø7 Lock Washer (x14)



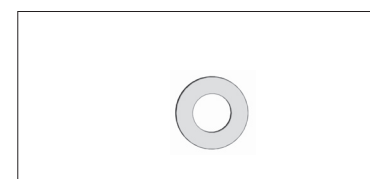
5. ø7 Washer (x14)



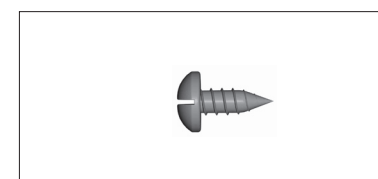
6. NO. 10-24UNC10 Screw (x20)



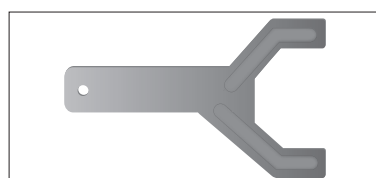
7. ø5 Lock Washer (x24)



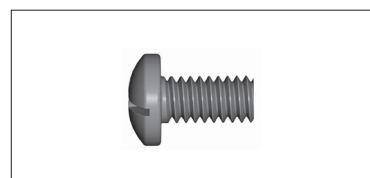
8. ø5 Washer (x24)



9. ST4.2x10 Tapping Screw (x1)



#10. Wrench (x1)

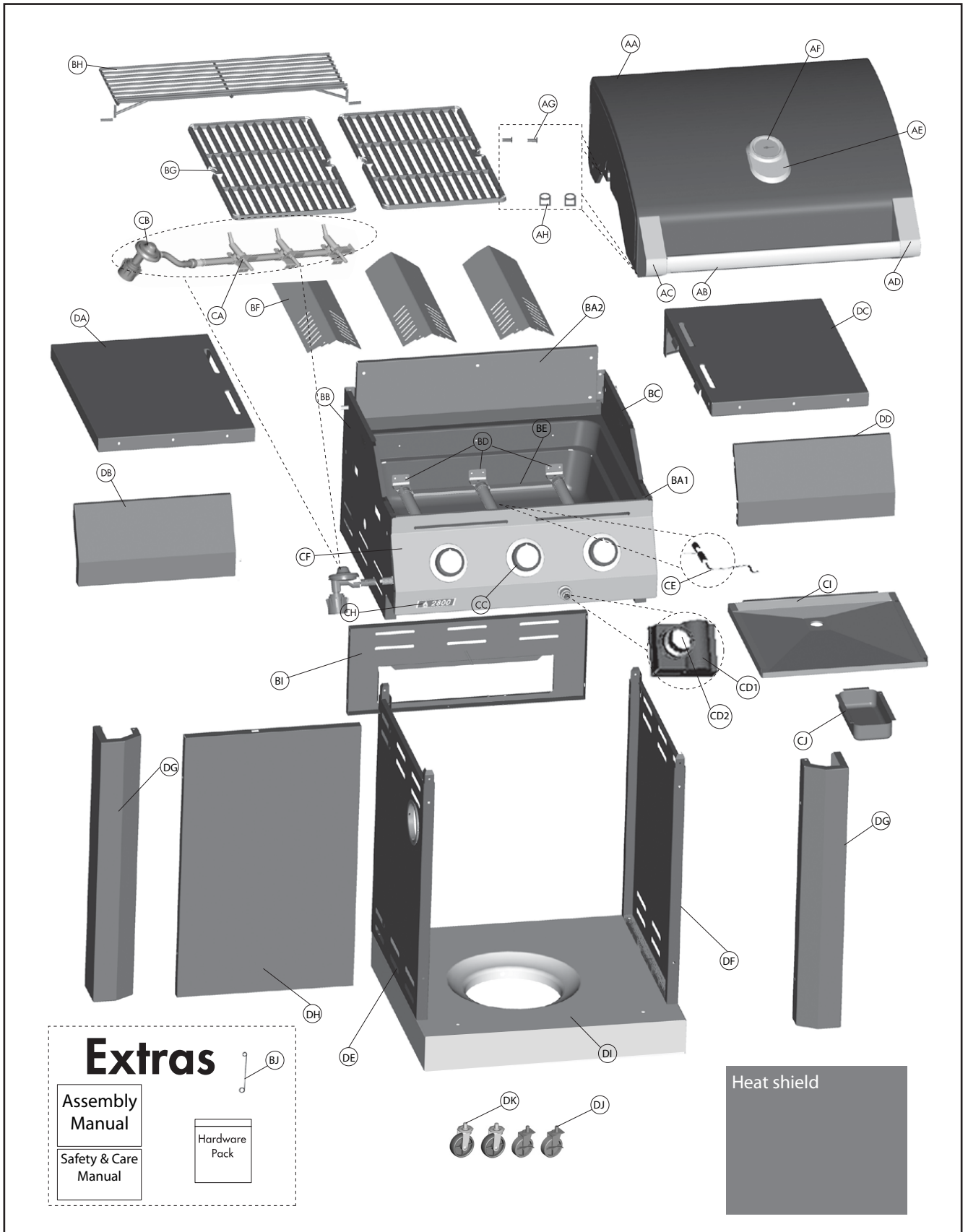


#11. NO. 10-24UNCx13 Screw (x4)

PARTS LIST (PROPANE) FOR 85-1614-2 (G41201)

Item No.	Quantity	Description	Part No.
AA	1	Top Lid	G412-0100-01
AB	1	Lid handle	G412-0004-01
AC	1	Lid handle end cap-Left	G617-0004-01
AD	1	Lid handle end cap-Right	G617-0005-01
AE	1	Logo Plate	G412-0001-01
AF	1	Thermometer	G412-0003-01
AG	2	Screw for Top Lid	G501-0005-01
AH	2	Lid Bumper	G508-0063-01
BA1	1	Burner Box Weldment	G412-0200-01
BA2	1	Rear Panel, Burner Box	G416-0013-01
BB	1	Upper side panel- Left	G412-0400-01
BC	1	Upper side panel- Right	G412-0300-01
BD	3	Main Burner	G413-5000-01
BE	2	Carryover assembly	G413-0004-01
BF	3	Flame Tamer	G413-0036-01
BG	2	Cooking Grate	G412-0015-01
BH	1	Warming Rack	G413-0002-01
BI	1	Upper Back Panel	G412-0002-01
BJ	1	Match Holder	G608-0019-01
CA	1	Manifold Assembly	G412-4000-01
CB	1	Regulator- 22"	G606-0008-01
CC	3	Control Knobs	G412-4500-01
CD1	1	Electronic Igniter assembly	G501-0072-02
CD2	1	Electronic Ignition Button	G501-0072-01
CE1	1	Electrode Set, Main Burner	G412-0009-01
CE2	1	Ground wire, main burners	G411-0004-01
CF	1	Control Panel	G412-0005-01
CG	1	Heat shield	
CH	1	Series Logo	G412-0016-01
CI	1	Grease Tray	G412-1000-01
CJ	1	Grease Cup	G416-0015-01
DA	1	Side shelf table- Left	G501-0900-01
DB	1	Side Shelf fascia- Left	G412-0011-01
DC	1	Side shelf table- Right	G501-0800-01
DD	1	Side shelf fascia-Right	G412-0010-01
DE	1	Cart side panel-Left	G412-0500-01
DF	1	Cart Side Panel, Right	G412-0600-01
DG	2	Pillars	G412-0013-01
DH	1	Front Panel	G412-0012-01
DI	1	Bottom Shelf	G412-0700-01
DJ	2	Wheel with lock	G401-0061-01
DK	2	Wheel	G607-0048-01
	1	Hardware Pack	G412-B001-01
	1	Assembly Manual	G412-M001-01
	1	Safety & Care Manual	G617-M001-02

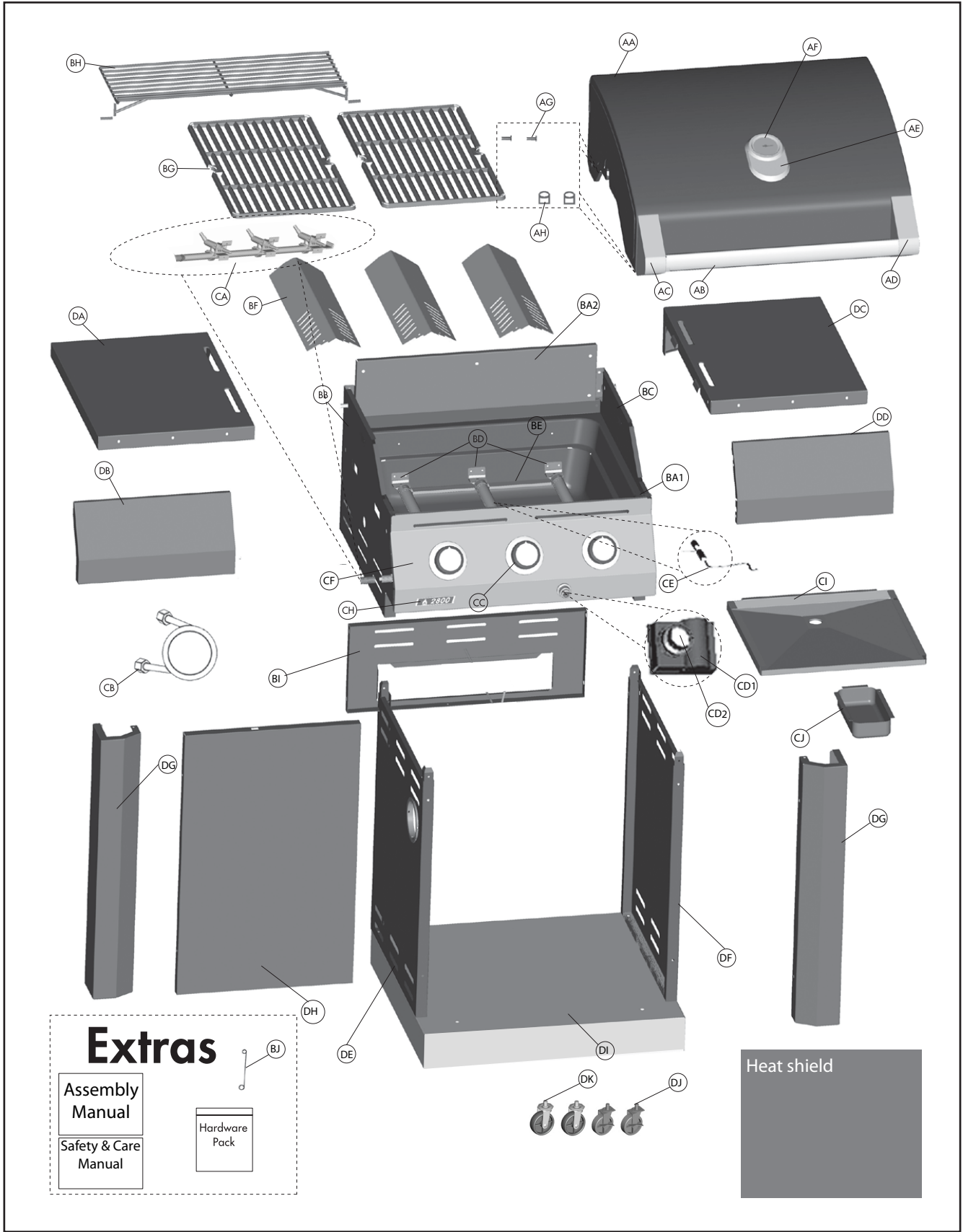
EXPLODED DIAGRAM (PROPANE) FOR 85-1614-2 (G41201)



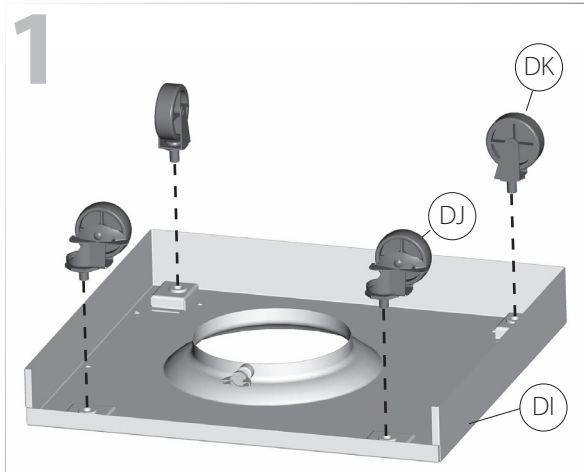
PARTS LIST (NATURAL GAS) FOR 85-1650-4 (G41202)

Item No.	Quantity	Description	Part No.
AA	1	Top lid	G412-0100-01
AB	1	Lid handle	G412-0004-01
AC	1	Lid handle end cap-Left	G617-0004-01
AD	1	Lid handle end cap-Right	G617-0005-01
AE	1	Logo plate	G412-0001-01
AF	1	Thermometer	G412-0003-01
AG	2	Screw for top lid	G501-0005-01
AH	2	Lid bumper	G508-0063-01
BA1	1	Burner box weldment	G412-0200-01
BA2	1	Rear panel, burner box	G416-0013-01
BB	1	Upper side panel- Left	G412-0400-01
BC	1	Upper side panel- Right	G412-0300-01
BD	3	Main burner	G413-5000-01
BE	2	Carryover assembly	G413-0004-01
BF	3	Flame tamer	G413-0036-01
BG	2	Cooking grate,	G412-0015-01
BH	1	Warming rack	G413-0002-01
BI	1	Upper back panel	G412-0002-01
BJ	1	Match holder	G608-0019-01
CA	1	Manifold assembly	G412-4100-01
CB	1	Natural gas hose	G501-0099-01
CC	3	Control knobs	G412-4500-01
CD1	1	Electronic igniter assembly	G501-0072-02
CD2	1	Electronic ignition button	G501-0072-01
CE1	1	Electrode set, main burner	G412-0009-01
CE2	1	Ground wire, main burners	G412-0004-01
CF	1	Control panel	G412-0005-01
CH	1	Series logo	G412-0016-01
CI	1	Grease tray	G412-1000-01
CJ	1	Grease cup	G416-0015-01
DA	1	Side shelf table- Left	G501-0900-01
DB	1	Side shelf fascia- Left	G412-0011-01
DC	1	Side shelf table- Right	G501-0800-01
DD	1	Side shelf fascia-Right	G412-0010-01
DE	1	Cart side panel-Left	G412-0500-01
DF	1	Cart side panel, Right	G412-0600-01
DG	2	Pillars	G412-0013-01
DH	1	Front panel	G412-0012-01
DI	1	Bottom shelf	G412-0800-01
DJ	2	Wheel with lock	G401-0061-01
DK	2	Wheel	G607-0048-01
	1	Hardware Pack	G412-B001-01
	1	Assembly Manual	G412-M001-01
	1	Safety & Care Manual	G617-M001-02

EXPLODED DIAGRAM (NATURAL GAS) FOR 85-1650-4 (G41202)



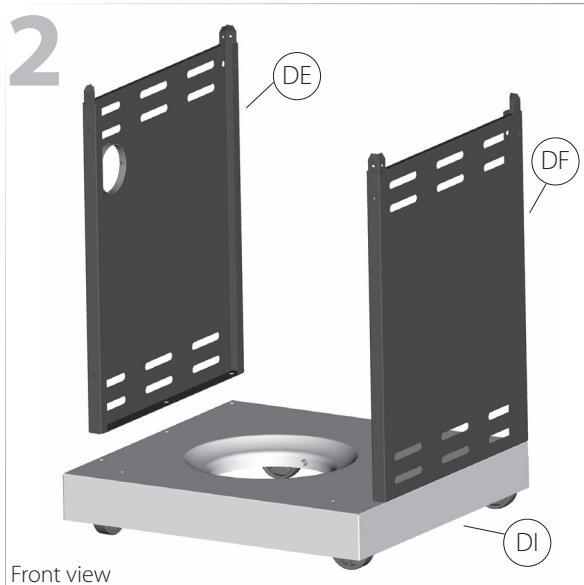
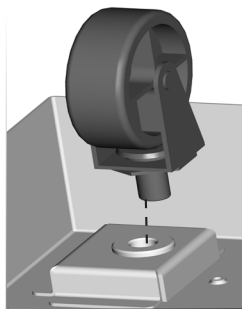
ASSEMBLY INSTRUCTIONS



1. Separate the 2 different types of wheels, 2 locking wheels (DJ) and 2 regular wheels (DK).

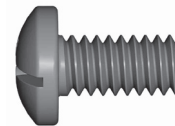
Attach the locking wheels (DJ) to the back of the bottom shelf (DI) and the regular wheels (DK) to the front of the bottom shelf (DI).

To secure the 4 wheels, hand tighten first. Then, tighten further using the Wrench provided in the hardware pack.

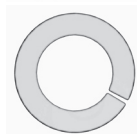


2. Ensure that the wheels are firmly locked in the "ON" position before continuing.

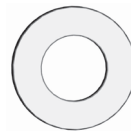
Assemble the left side panel (DE) and the right side panel (DF) to the bottom shelf (DI).



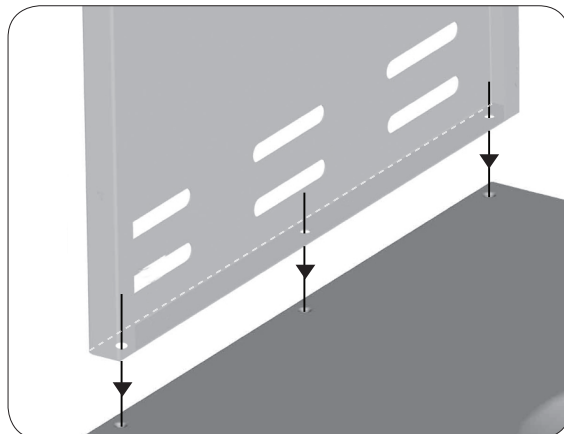
#1 - 1/4" - 20UNCx13 Screw (x6)



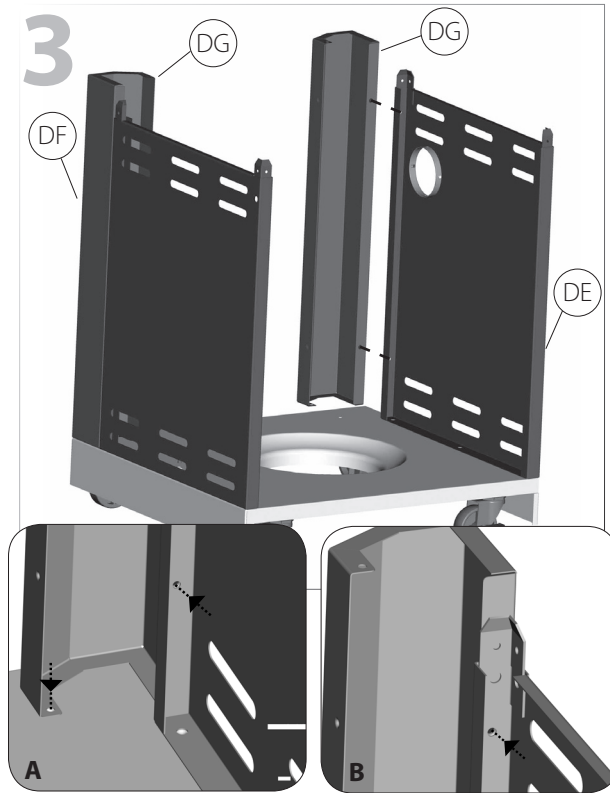
#4 - \varnothing 7 Lock Washer (x6)



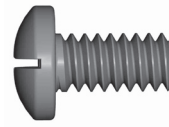
#5 - \varnothing 7 Washer (x6)



ASSEMBLY INSTRUCTIONS



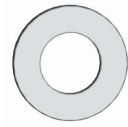
3. Assemble the Left and right Pillars (DG), to the cart side panels, as shown in figure A and B.



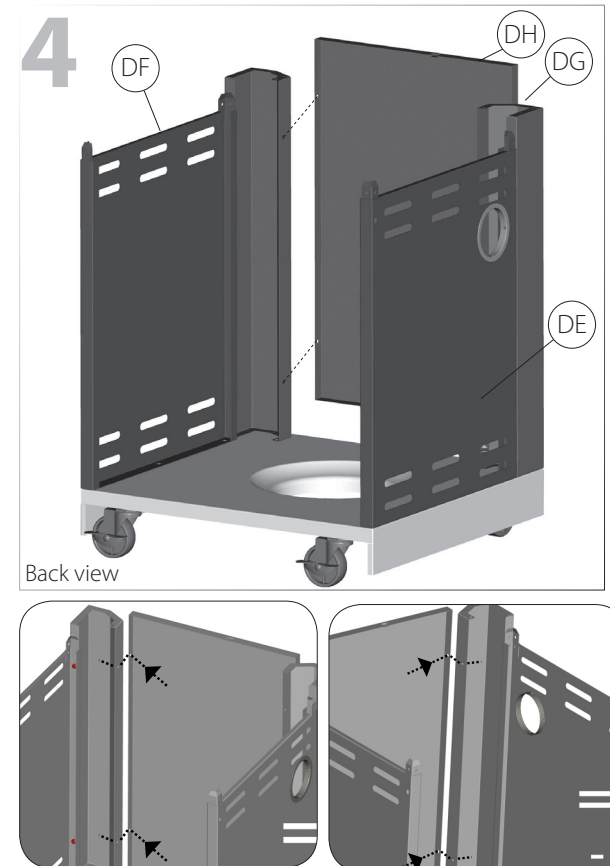
#6 - NO. 10-24UNCx10 Screw (x6)



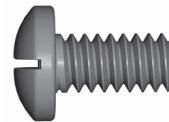
#7 - ø5 Lock Washer (x6)



#8 - ø5 Washer (x6)



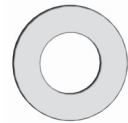
4. Attach the front panel (DH) onto the pillars (DG).



#6 - NO. 10-24UNCx10 Screw (x4)

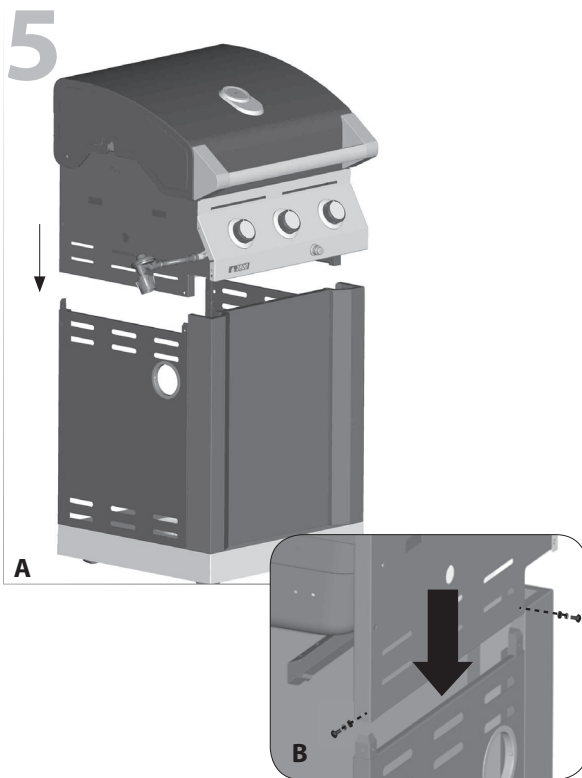


#7 - ø5 Lock Washer (x4)

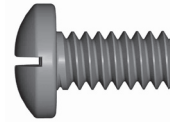


#8 - ø5 Washer (x4)

ASSEMBLY INSTRUCTIONS



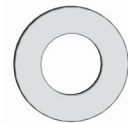
5. Position the top lid and burner box assembly (A and B) onto the cart assembly (C) as shown in figure A. Use the hardware to connect both parts, on the left and right sides, at the two points indicated in Figure B.



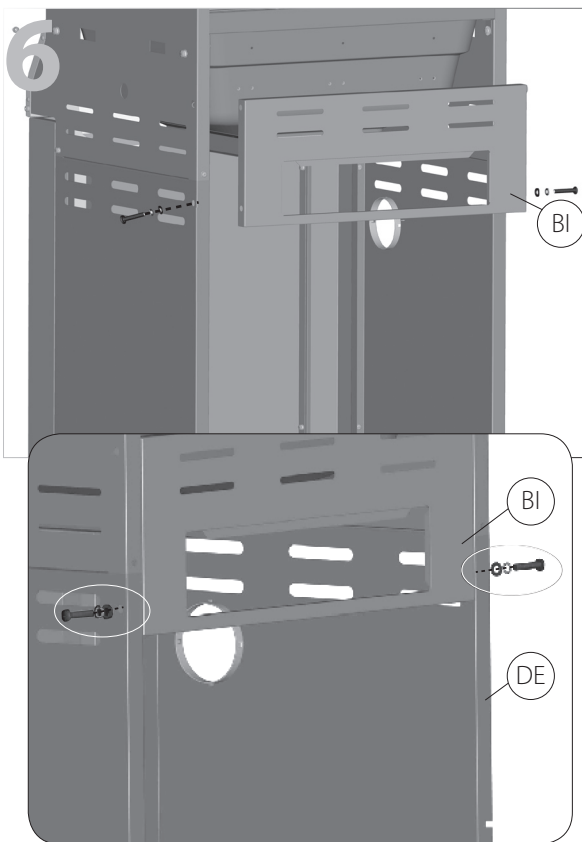
#6 - NO.10-24UNCx10 Screw (x4)



#7 - ø5 Lock Washer (x4)



#8 - ø5 Washer (x4)

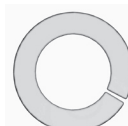


6. Attach the upper back panel (BI) to both the left and right side panels (DE and DF).

Only install hardware in the bottom portion of the back panel, as shown in figure B.



#2 - 1/4" - 20UNCx38 Screw (x2)



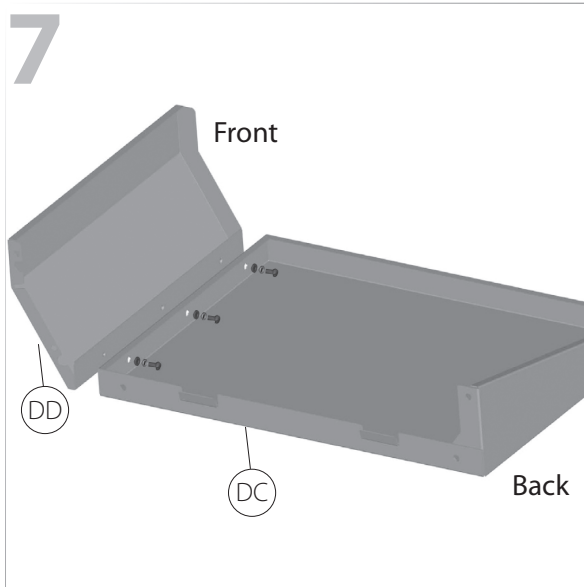
#4 - ø7 Lock Washer (x2)



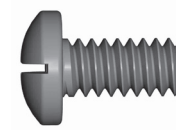
#5 - ø7 Washer (x2)

Rear view

ASSEMBLY INSTRUCTIONS



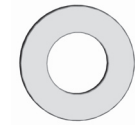
7. Attach the right side shelf fascia(DD) to the right side shelf (DC).



#6 - NO. 10-24UNCx10 Screw (x3)



#7 - ø5 Lock Washer (x3)



#8 - ø5 Washer (x3)



TIP: To position the side shelf, insert the two hooks on the side right shelf assembly into the two openings located on the upper right side panel (BC).

8. Assemble the right side shelf assembly to the cart assembly, as shown in figure B.



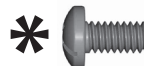
#11 - NO.10-24UNCx13 Screw (x2)



#7 - ø5 Lock Washer (x2)



#8 - ø5 Washer (x2)



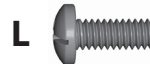
#2 - 1/4" - 20UNCx38 Screw (x1)



#4 - ø7 Lock Washer (x1)



#5 - ø7 Washer (x1)



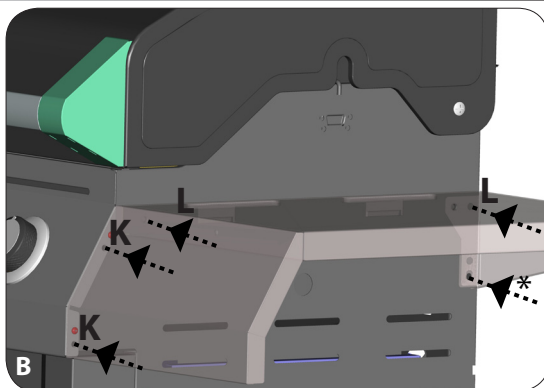
#3 - 1/4" - 20UNCx16 Screw (x2)



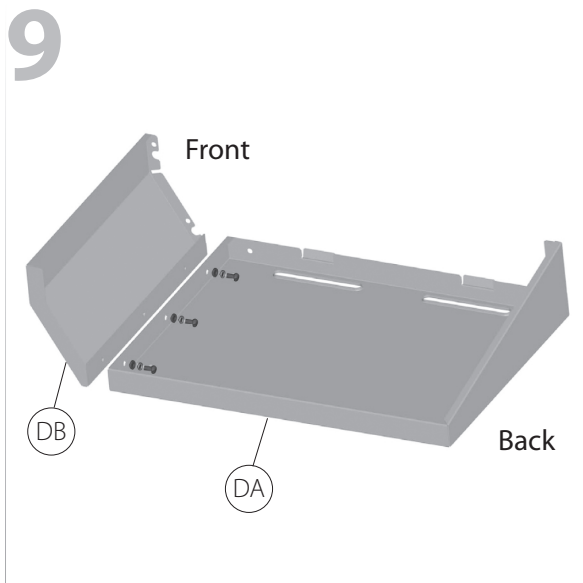
#4 - ø7 Lock Washer (x2)



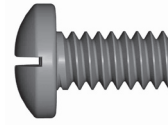
#5 - ø7 Washer (x2)



ASSEMBLY INSTRUCTIONS



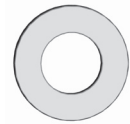
9. Attach the left shelf fascia (DB) to the left side shelf (DA).



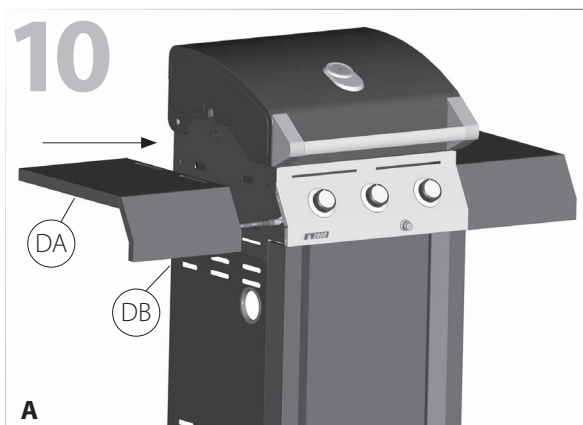
#6 - NO. 10-24UNCx10 Screw (x3)



#7 - ø5 Lock Washer (x3)

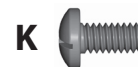


#8 - ø5 Washer (x3)



TIP: To position the side shelf, insert the two hooks on the side shelf assembly into the two openings located on the upper side panel (BE).

10. Assemble the right side shelf assembly to the cart assembly, as shown in figure B.



#11 - NO.10-24UNCx13 Screw (x2)



#7 - ø5 Lock Washer (x2)



#8 - ø5 Washer (x2)



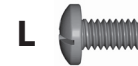
#2 - 1/4" - 20UNCx38 Screw (x1)



#4 - ø7 Lock Washer (x1)



#5 - ø7 Washer (x1)



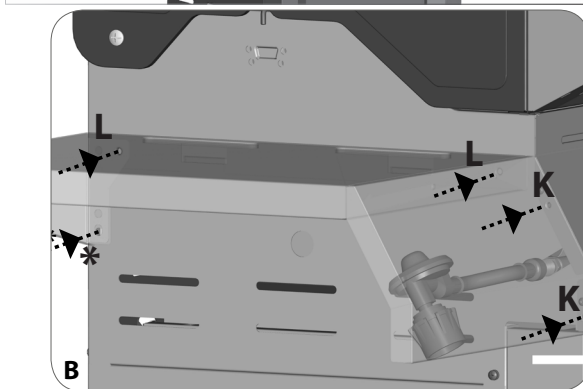
#3 - 1/4" - 20UNCx16 Screw (x2)



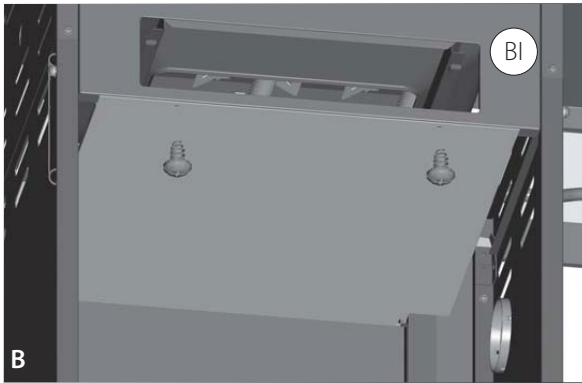
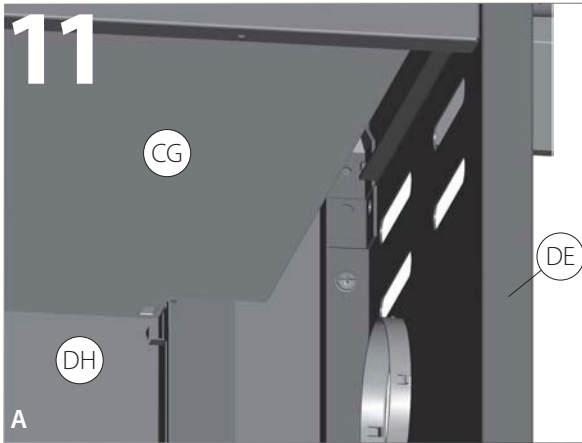
#4 - ø7 Lock Washer (x2)



#5 - ø7 Washer (x2)

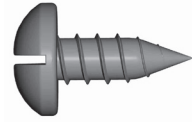


ASSEMBLY INSTRUCTIONS

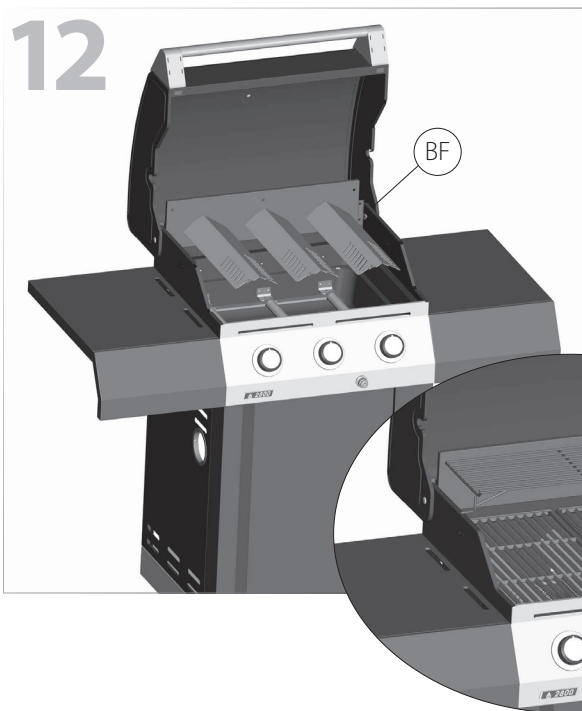


Back view

11. Place the heat shield (CG) into the groove which is located at the back side of the front panel as shown in figure A. Next, attach the heat shield (CG) to the upper back panel (BI) by using the self tapping screw (x2), as shown in figure B.



#9 - ST4.2x10 Tapping Screw (x2)

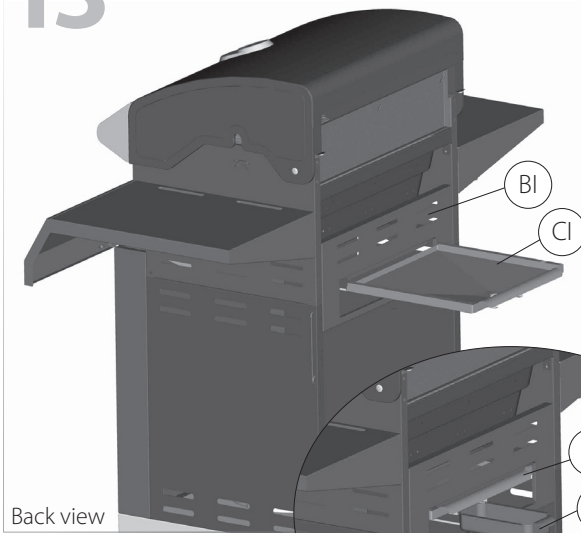


12. First place the flame tamers (BF) and then the cooking grates (BG) into the burner box.

Place the warming rack (BH) onto the burner box.

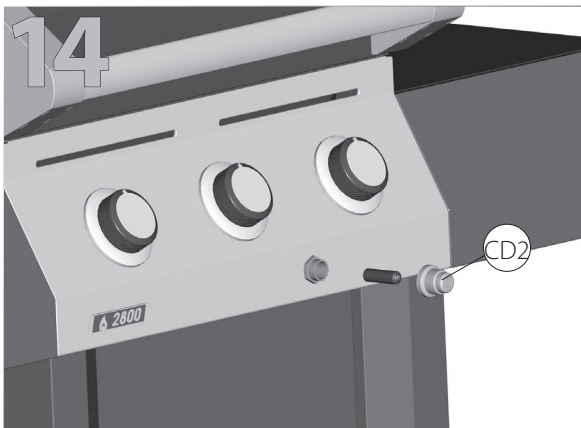
ASSEMBLY INSTRUCTIONS

13



13a. Insert the grease tray (CI) into the opening in the upper back panel (BI), making sure to engage tracks located under burner box.

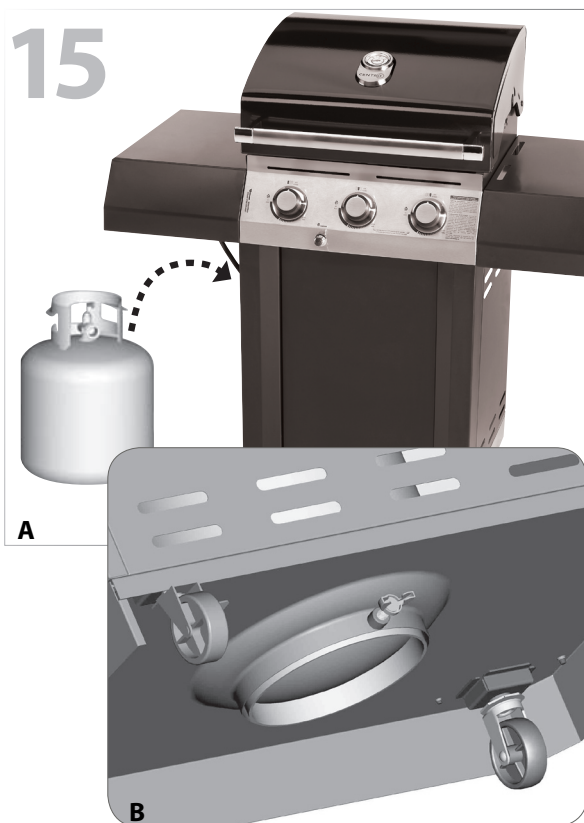
13b. Place the grease cup (CJ) onto the tracks, located on the underside of the grease tray (CI).



14. Unscrew the electronic ignitor button (CD2) and insert one AA battery into the electronic igniter battery compartment, with the positive end facing outward.

*** Battery not included.**

ASSEMBLY INSTRUCTIONS



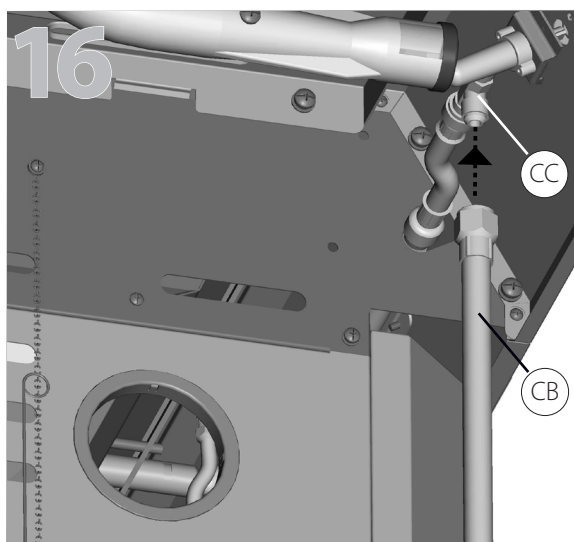
For propane model only.

15a. Position the 20 lb propane tank onto the bottom shelf (EG), and secure using the bolt (already attached) located on the underside of the bottom shelf, as shown in figure B.

15b. Attach the Regulator coupling nut to the LP cylinder valve.

⚠ ATTENTION: For your families safety, do not attempt to light this BBQ until you have reviewed pages 4-7 of the CENTRO Safe Use and Care Manual. All Safety and Leak test **MUST BE PERFORMED BY THE END USER**, prior to lighting this BBQ.

⚠ WARNING
Do not store extra propane tanks within BBQ cart.



For natural gas model only.

16. Attach the Natural Gas Hose(CB) to the side burner valve(CC) as shown.