

CENTRO



Centro 5800 Assembly Manual

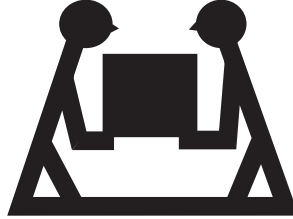
85-1628-0 (G61701) Propane
85-1653-8 (G61703) Natural Gas

Limited 5-Year Warranty

Read and save manual for future reference.

**Assemble your grill immediately.
Missing or damaged parts should be
claimed within 15 days of purchase.**

Manual Revision #: 020708



HEAVY ARTICLE NEEDS 2 TO LIFT

THIS MANUAL MUST REMAIN WITH THE PRODUCT AT ALL TIMES

To ORDER non-warranty replacement parts or accessories, or to register your warranty, please visit us on the web at www.centrobbqs.com.

⚠ CAUTION

Sharp edges. Wear gloves when assembling your grill.

⚠ CAUTION

Read and follow all safety statements, assembly instructions, and use and care directions before attempting to assemble and cook.

⚠ INSTALLER OR ASSEMBLER/CONSUMER

This manual should be kept with the BBQ at all times.

⚠ WARNING

Failure to follow all of the Manufacturer's instructions could result in hazardous fires, explosions, property damage, or serious personal injury or even death.

Follow all leak check procedures carefully prior to operation of barbecue, even if grill was dealer assembled. Do not try to light this barbecue without reading the Lighting Instructions section of this manual.

⚠ DANGER

1. If you smell Gas:
 - a. Shut off gas to the appliance
 - b. Extinguish any open flame
 - c. Open lid
 - d. If odor continues, keep away from the appliance and immediately call your gas supplier or your fire department
2. Do not store or use gasoline or other flammable vapours and liquids in the vicinity of this or any other appliance.
3. An LP cylinder not connected for use shall not be stored in the vicinity of this or any other appliance.
4. Requires two people to complete the assembly process.
5. Beware of sharp edges.

THIS BARBECUE IS FOR OUTDOOR USE ONLY

CONTACT CALL CENTRE IF ANY PARTS ARE MISSING

HARDWARE PACK

TOOLS NEEDED FOR ASSEMBLY

- #2 Phillips screwdriver (Long and short)
- ¼" Slotted screwdriver
- Adjustable wrench
- Pliers
- Rubber Mallet

Before assembling the barbecue, read these instructions carefully.

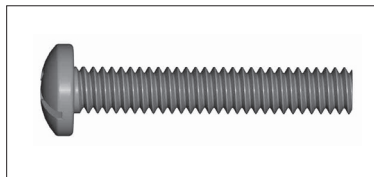
Assemble the barbecue on a flat, clean surface. Grill is heavy.

Notes: Do not fully tighten all the nuts during this initial stage.

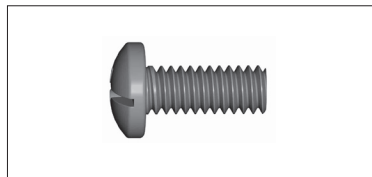
No.	Description	Part Number	Quantity
1	¼"x38mm Screw	20120-13038-250	4
2	¼"x16mm Screw	20120-13016-250	8
3	¼"x13mm Screw	20120-13013-250	14
4	ø7 Lock Washer	41400-07000-250	26
5	ø7 Washer	40300-07000-250	26
6	NO.10x10 Screw	20124-10010-250	24
7	ø5 Lock Washer	41400-05000-250	24
8	ø5 Washer	40300-05000-250	24
9	ST4.2x10 Tapping Screw	22500-42010-137	1
10	NO.8-32UNC x10 Screw	20332-08010-250	4
11	Control Knob	G412-4500-9000	1
12	Wrench	G401-0071-0182	1
13	Wing Nut	33301-04000-032	1

Caution:

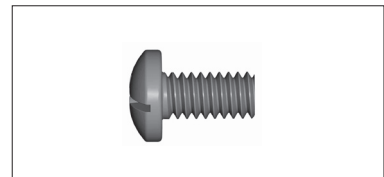
Sheet metal can cause injury. Wear gloves when installing the grill.



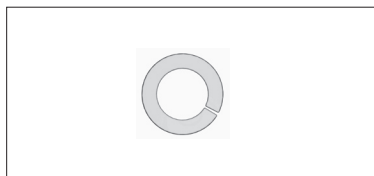
#1. ¼"x38mm Screw (x4)



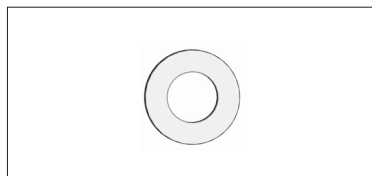
#2. ¼"x16mm Screw (x8)



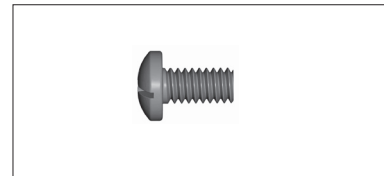
#3. ¼"x13mm Screw (x14)



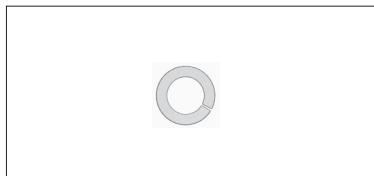
#4. ø7 Lock Washer (x26)



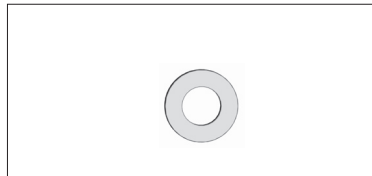
#5. ø7 Washer (x26)



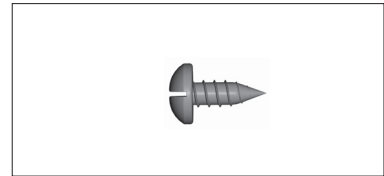
#6. NO.10x10 Screw (x24)



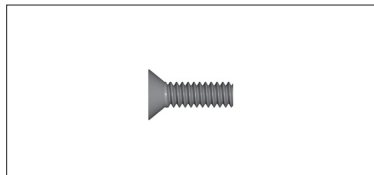
#7. ø5 Lock Washer (x24)



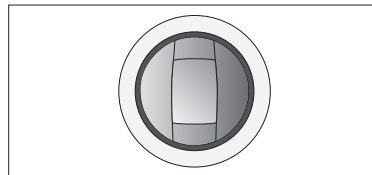
#8. ø5 Washer (x24)



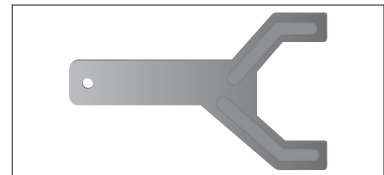
#9. ST4.2x10 Tapping Screw (x1)



#10. NO.8-32UNC x10 Screw (x4)



#11. Knob (x1)



#12. Wrench (x1)

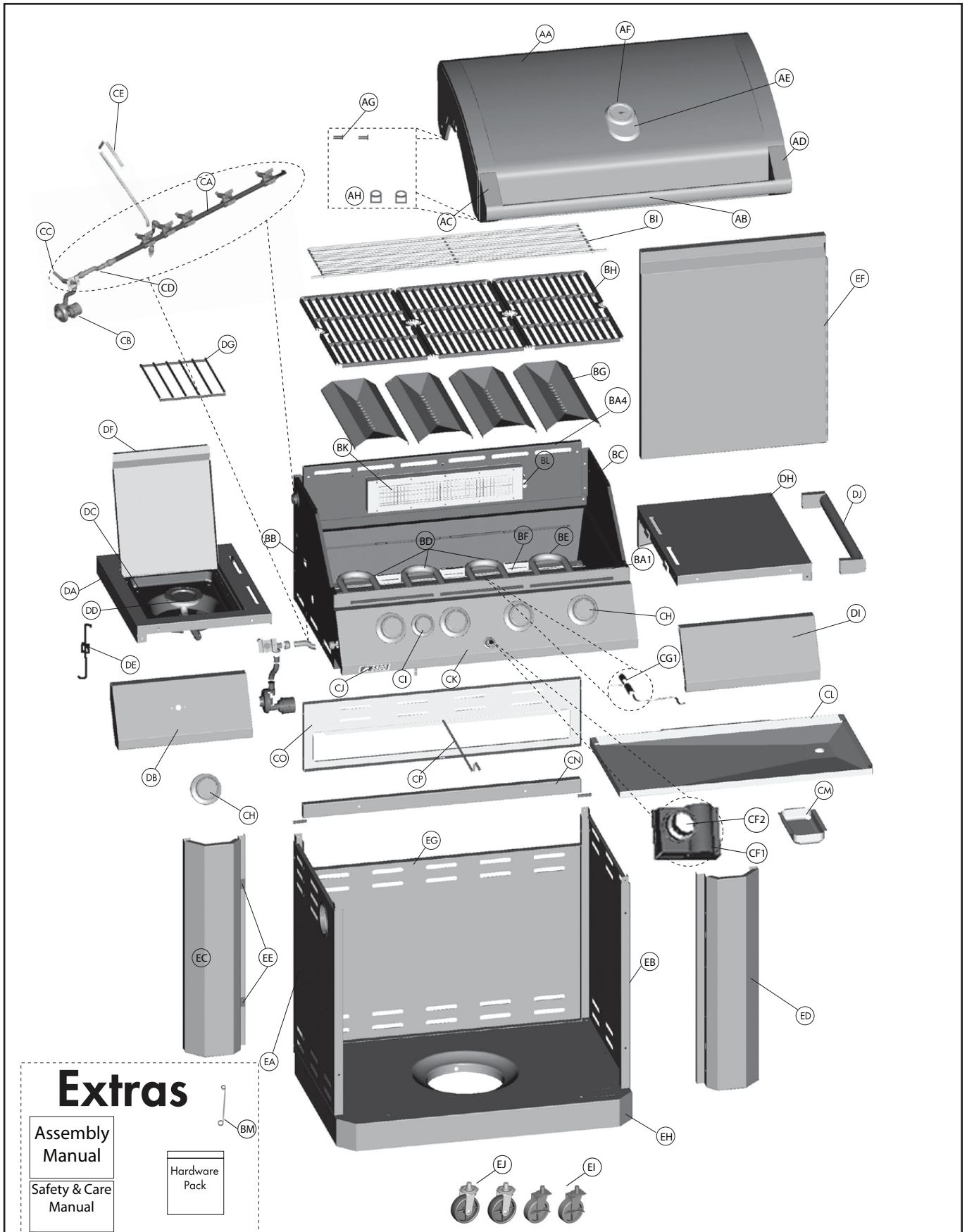


#13. Wing Nut (x1)

PARTS LIST (PROPANE) FOR 85-1628-0 (G61701)

Item	Qty.	Description	Part No.	Item	Qty.	Description	Part No.
AA1	1	Top Lid Assembly	G617-0100-01	CN	1	Front Brace	G617-0023-01
AA2	1	Lid Inner Insert	G617-0001-01	CO	1	Upper Back Panel	G617-2700-01
AB	1	Lid handle	G617-0003-01	CP	1	Tank Exclusion	G617-0037-01
AC	1	Lid handle end cap-Left	G617-0004-01				
AD	1	Lid handle end cap-Right	G617-0005-01	DA	1	Side shelf table- Left	G617-1100-01
AE	1	Logo Plate	G412-0001-01	DB	1	Side Shelf fascia- Left	G617-0030-01
AF	1	Thermometer	G412-0003-01	DC	1	Side Burner Drip Pan	G617-0035-01
AG	2	Screw F/ Top Lid	G501-0005-01	DD	1	Side Burner Assembly	G433-1400-01
AH	2	Lid Bumper	G508-0063-01	DE	1	Electrode Set, Sideburner	G433-0047-01
				DF	1	Lid- Sideburner	G507-0011-01
BA1	1	Burner box assembly	G617-0200-01	DG	1	Cooking Grate, Sideburner	G501-0077-01
BA2	1	Burner box side panel- Left	G617-0300-01	DH	1	Side shelf table- Right	G617-1500-01
BA3	1	Burner box side panel- Right	G617-0400-01	DI	1	Side shelf fascia-Right	G617-0026-01
BA4	1	Rotisserie Burner Brace	G617-0011-01	DJ1	1	Towel bar	G617-0027-01
BB	1	Upper side panel- Left	G617-0500-01	DJ2	2	Towel bar end caps	G617-0028-01
BC	1	Upper side panel- Right	G617-0600-01				
BD	3	Main Burner-A	G502-1700-01	EA	1	Cart side panel-Left	G617-0700-01
BE	1	Main Burner-B	G502-1900-01	EB	1	Cart Side Panel, Right	G617-0800-01
BF	1	Carryover assembly	G617-0029-01	EC	1	Pillar- Left	G617-2200-01
BG	4	Flame Tamer	G617-0019-01	ED	1	Pillar- Right	G617-2300-01
BH	3	Cooking Grate, Burnerbox	G617-0020-01	EE	2	Magnet assembly	G501-0016-01
BI	1	Warming Rack	G617-0018-01	EF	1	Door assembly	G617-8000-01
BJ	1	Wind Shield, Rotisserie	G617-0036-01	EG	1	Cart back panel	G617-0022-01
BK	1	Rotisserie Burner	G607-4000-01	EH	1	Bottom shelf	G617-0900-01
BL1	1	Electrode Set, Rotisserie Burner	G411-0002-01	EI	2	Wheel with lock	G401-0061-01
BL2	1	Ground wire, rotisserie burner	G411-0004-01	EJ	2	Wheel	G606-0027-01
BM	1	Match Holder	G608-0019-01				
					1	Hardware Pack	G617-B001-01
CA	1	Manifold Assembly	G617-4000-01		1	Assembly Manual	G617-M001-01
CB	1	Regulator	G433-0034-01		1	Safety & Care Manual	G617-M001-02
CC	1	Valve, Sideburner	G617-0010-01				
CD	1	Metal Hose, sideburner	G608-0039-01				
CE	1	Rotisserie flexible hose	G411-0013-01				
CF1	1	Electronic Igniter assembly	G508-0075-01				
CF2	1	Electronic Ignition Button	G501-0072-01				
CG1	2	Electrode Set, Main Burner	G617-0017-01				
CG2	1	Ground wire, main burners	G411-0004-01				
CH	5	Control Knobs	G412-4500-01				
CI	1	Rotisserie Knob	G617-4200-01				
CJ	1	Series Logo	G617-0013-01				
CK	1	Control Panel	G617-0012-01				
CL	1	Grease Tray	G617-1300-01				
CM	1	Grease Cup	G416-0015-01				

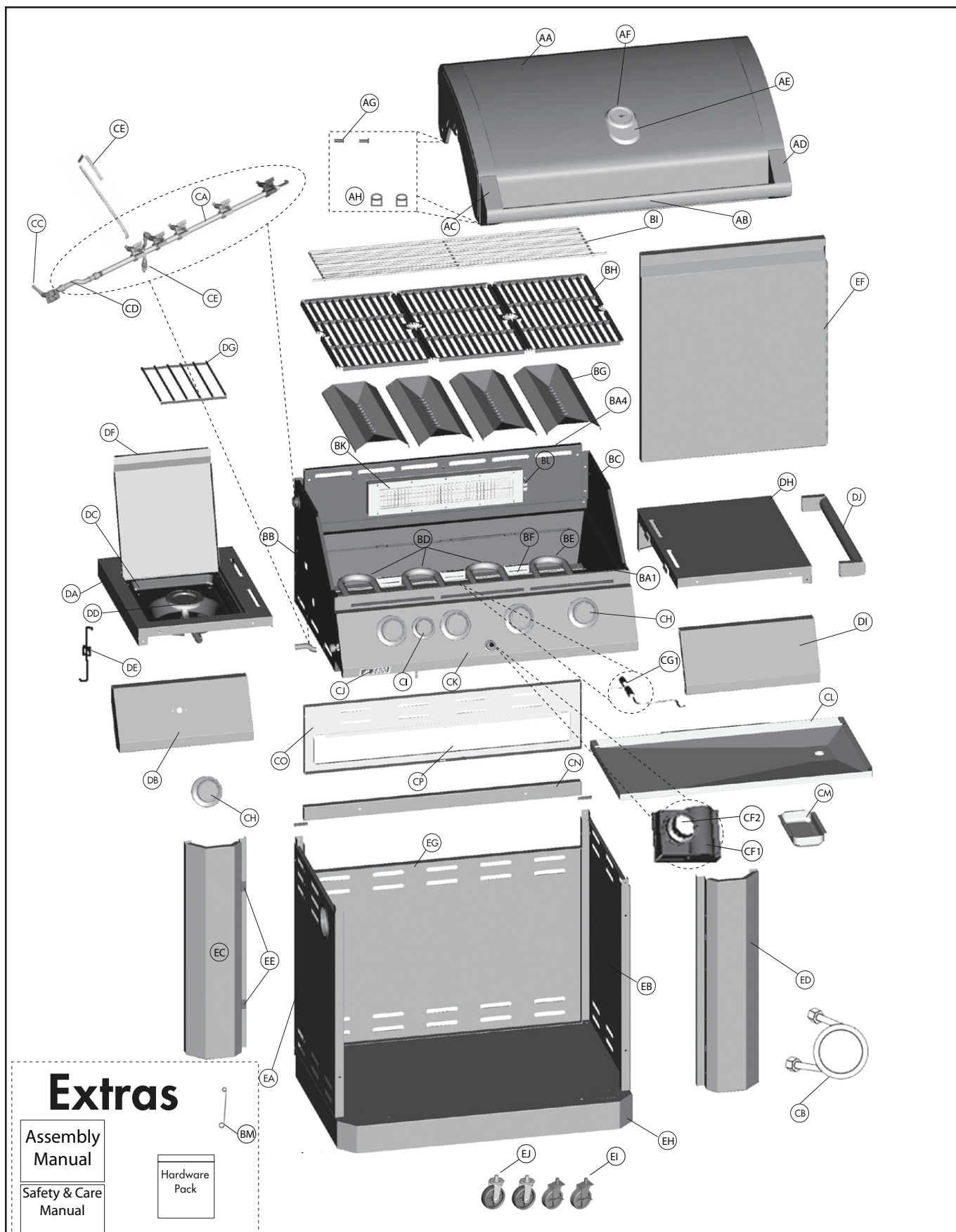
EXPLODED DIAGRAM (PROPANE) FOR 85-1628-0 (G61701)



PARTS LIST (NATURAL GAS) FOR 85-1653-8 (G61703)

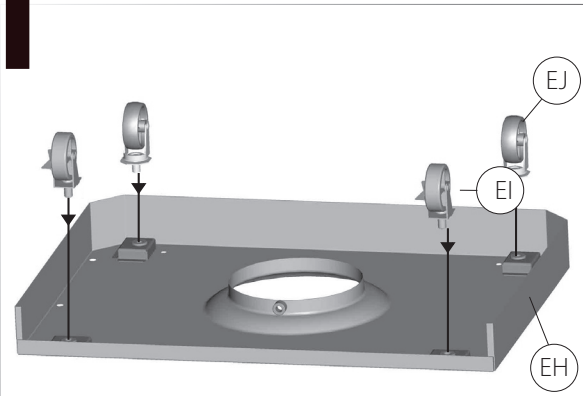
Item	Qty.	Description	Part No.	Item	Qty.	Description	Part No.
AA1	1	Top Lid assembly	G617-0100-01	CM	1	Grease Cup	G416-0015-01
AA2	1	Lid Inner Insert	G617-0001-01	CN	1	Front Brace	G617-0023-01
AB	1	Lid handle	G617-0003-01	CO	1	Upper Back Panel	G617-2700-01
AC	1	Lid handle end cap-Left	G617-0004-01				
AD	1	Lid handle end cap-Right	G617-0005-01	DA	1	Side shelf table- Left	G617-1100-01
AE	1	Logo Plate	G412-0001-01	DB	1	Side Shelf fascia- Left	G617-0030-01
AF	1	Thermometer	G412-0003-01	DC	1	Side Burner Drip Pan	G617-0035-01
AG	2	Screw F/ Top Lid	G501-0005-01	DD	1	Side Burner Assembly	G433-1400-01
AH	2	Lid Bumper	G508-0063-01	DE	1	Electrode Set, Sideburner	G433-0047-01
BA1	1	Burner box assembly	G617-0200-01	DF	1	Lid- Sideburner	G507-0011-01
BA2	1	Burner box side panel- Left	G617-0300-01	DG	1	Cooking Grate, Sideburner	G501-0077-01
BA3	1	Burner box side panel- Right	G617-0400-01	DH	1	Side shelf table- Right	G617-1500-01
BA4	1	Rotisserie Burner Brace	G617-0011-01	DI	1	Side shelf fascia-Right	G617-0026-01
BB	1	Upper side panel- Left	G617-0500-01	DJ1	1	Towel bar	G617-0027-01
BC	1	Upper side panel- Right	G617-0600-01	DJ2	2	Towel bar end caps	G617-0028-01
BD	3	Main Burner-A	G502-1700-01				
BE	1	Main Burner-B	G502-1900-01	EA	1	Cart side panel-Left	G617-0700-01
BF	1	Carryover assembly	G617-0029-01	EB	1	Cart Side Panel, Right	G617-0800-01
BG	4	Flame Tamer	G617-0019-01	EC	1	Pillar- Left	G617-2200-01
BH	3	Cooking Grate, Burner box	G617-0020-01	ED	1	Pillar- Right	G617-2300-01
BI	1	Warming Rack	G617-0018-01	EE	2	Magnet assembly	G501-0016-01
BJ	1	Wind Shield, Rotisserie	G617-0036-01	EF	1	Door assembly	G617-8000-01
BK	1	Rotisserie Burner	G607-4000-01	EG	1	Cart back panel	G617-0022-01
BL1	1	Electrode Set, Rotisserie Burner	G411-0002-01	EH	1	Bottom shelf	G617-2600-01
BL2	1	Ground wire, rotisserie burner	G411-0004-01	EI	2	Wheel with lock	G401-0061-01
BM	1	Match Holder	G608-0019-01	EJ	2	Wheel	G606-0027-01
CA	1	Manifold Assembly	G617-4100-01		1	Hardware Pack	G617-B001-01
CB	1	Natural Gas hose	G411-0084-01		1	Assembly Manual	G617-M001-01
CC	1	Valve, Sideburner	G617-0024-01		1	Safety & Care Manual	G617-M001-02
CD	1	Metal Hose, sideburner	G608-0039-01				
CE	1	Rotisseries Flexible hose	G601-0072-01				
CF1	1	Electronic Igniter assembly	G508-0075-01				
CF2	1	Electronic Ignition Button	G501-0072-01				
CG1	2	Electrode Set, Main Burner	G617-0017-01				
CG2	1	Ground wire, main burners	G411-0004-01				
CH	5	Control Knobs	G412-4500-01				
CI	1	Rotisserie Knob	G617-4200-01				
CJ	1	Series Logo	G617-0013-01				
CK	1	Control Panel	G617-0012-01				
CL	1	Grease Tray	G617-1300-01				

EXPLODED DIAGRAM (NATURAL GAS) FOR 85-1653-8 (G61703)

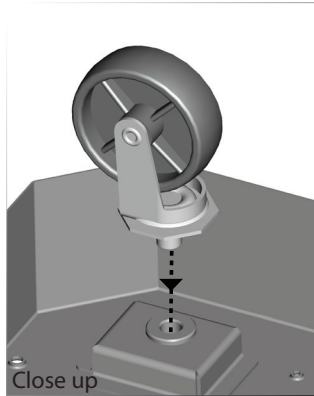


ASSEMBLY INSTRUCTIONS

1



Back view

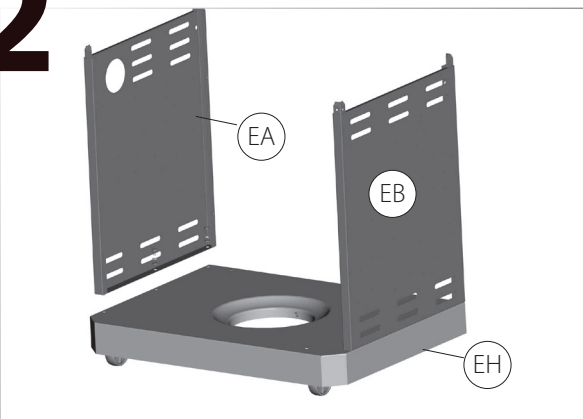


1. Separate the 2 different types of wheels, 2 locking wheels (EI) and 2 regular wheels (EJ).

Attach the locking wheels (EI) to the back of the bottom shelf (EH) and the regular wheels (EJ) to the front of the bottom shelf (EH).

To secure the 4 wheels, hand tighten first. Then, tighten further using the Wrench provided in the hardware pack.

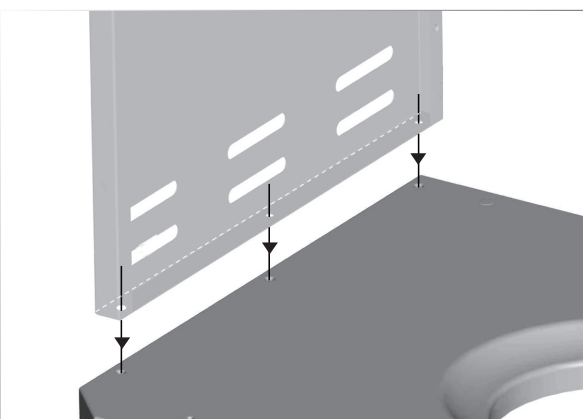
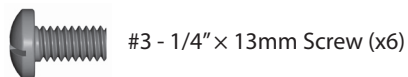
2



Front view

2. Ensure that the wheels are firmly locked in the "ON" position before continuing.

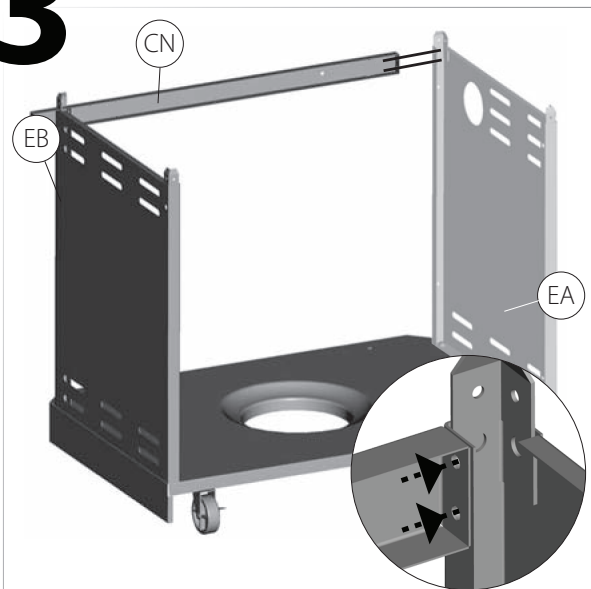
Assemble the left side panel (EA) and the right side panel (EB) to the bottom shelf (EH).



Close up

ASSEMBLY INSTRUCTIONS

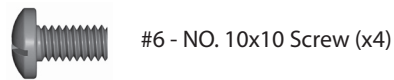
3



Back view

3. Attach the Front Brace (CN) to the Left and right cart side panels (EA and EB)

TIP: One person should align the left side, while the second person assembles the right side.



#6 - NO. 10x10 Screw (x4)

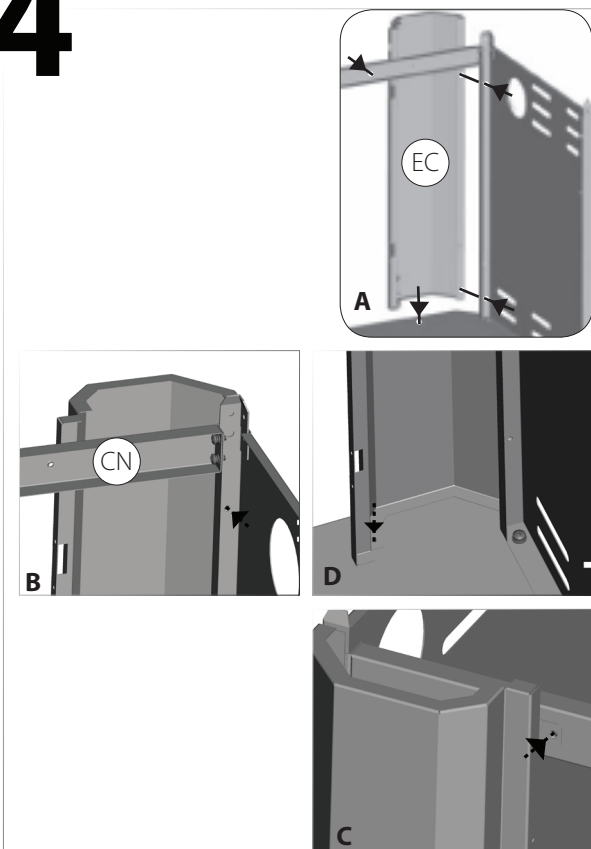


#7 - ø5 Lock Washer (x4)



#8 - ø5 Washer (x4)

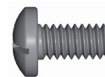
4



4. Assemble the Left and right Pillars (EC and ED), to the cart side panels, as shown in figure A and B.

Next, assemble the left and right pillars to the Front brace (CN) and the Bottom shelf (EH), as shown in figure C and D.

TIP: One person should align the left side, while the second person assembles the right side.



#6 - NO. 10x10 Screw (x8)

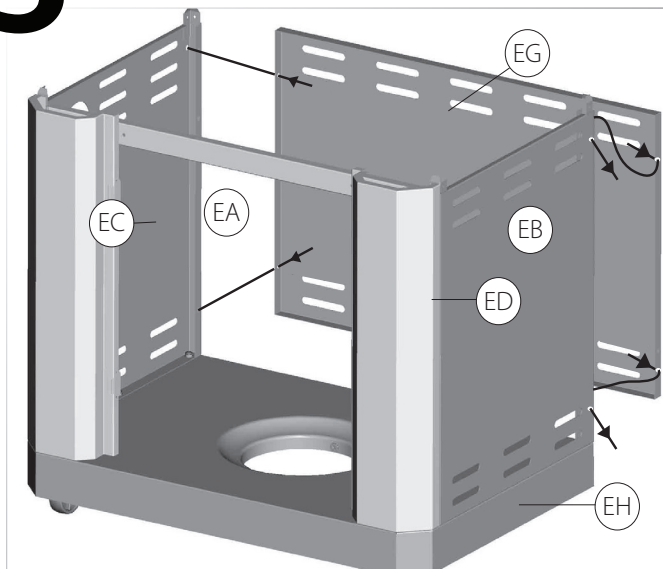


#7 - ø5 Lock Washer (x8)

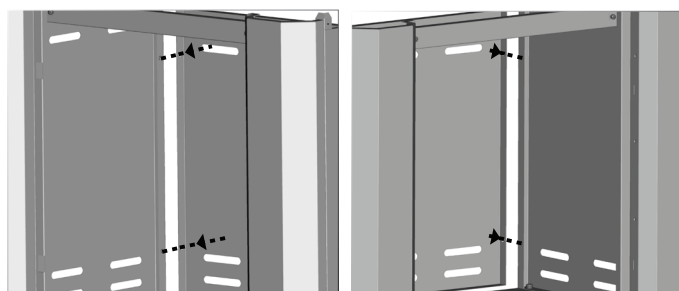
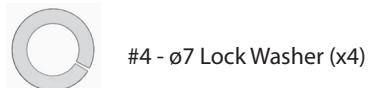
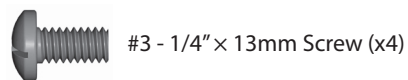


#8 - ø5 Washer (x8)

5



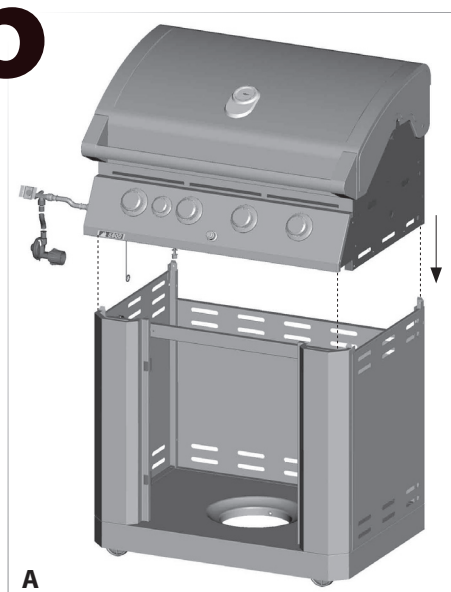
5. Attach the cart back panel (EG) to the rear of the left and right cart side panels (EA and EB).



Left side

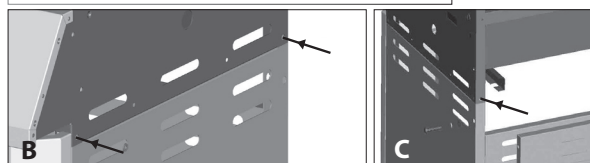
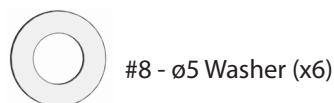
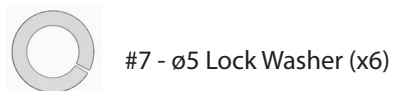
Right side

6



THIS STEP REQUIRES 3 OR MORE PEOPLE. DO NOT ATTEMPT ALONE. EXTREMELY HEAVY.

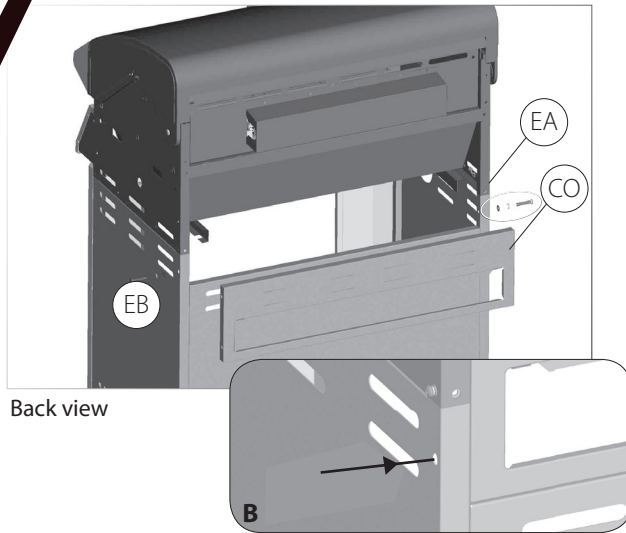
6a. Position the top lid and burner box assembly (A and B) onto cart assembly (C) as shown.



6b. Use the hardware to connect both parts, on the left and right sides, at the three points indicated in Figure B and C.

ASSEMBLY INSTRUCTIONS

7



7. Attach the upper back panel (CO) to both the left and right side panels (EA and EB).

Only install hardware in the bottom portion of the back panel, as shown in figure B.



#1 - 1/4" x 38mm Screw (x2)

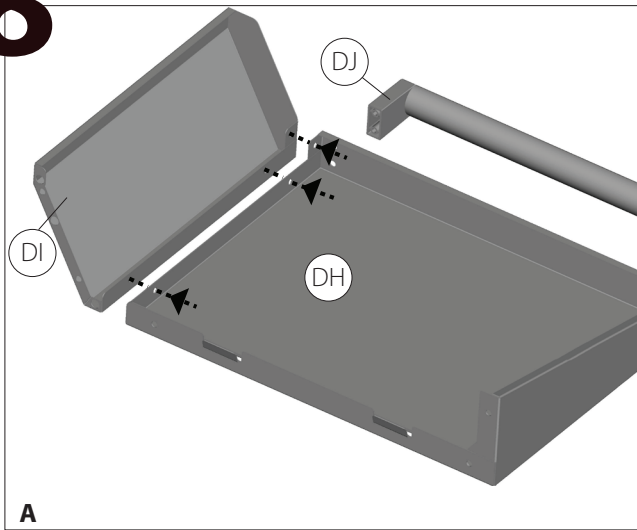


#4 - ø7 Lock Washer (x2)

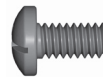


#5 - ø7 Washer (x2)

8



8a. Attach the right side shelf fascia (DI) to the right side shelf table (DH), as shown in figure A.



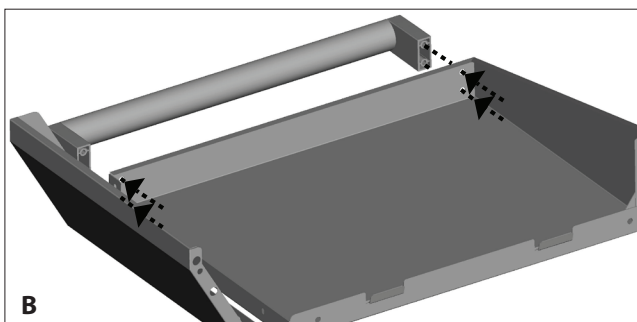
#6 - NO. 10x10 Screw (x3)



#7 - ø5 Lock Washer (x3)



#8 - ø5 Washer (x3)



8b. Assemble the towel bar (DJ) to the right side shelf (DH) as shown in figure B.



#3 - 1/4" x 13mm Screw (x4)

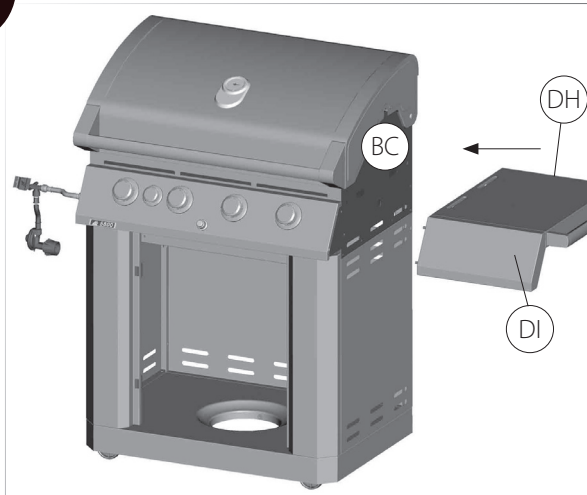


#4 - ø7 Lock Washer (x4)



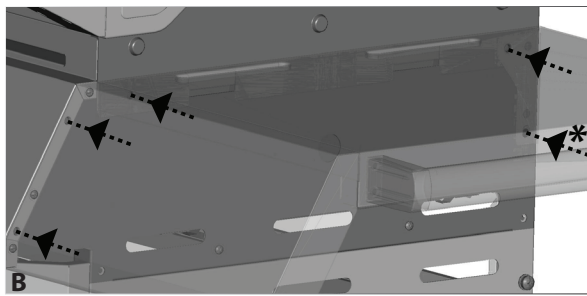
#5 - ø7 Washer (x4)

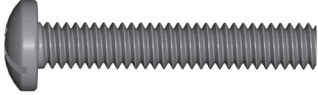
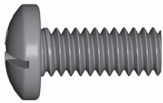


9



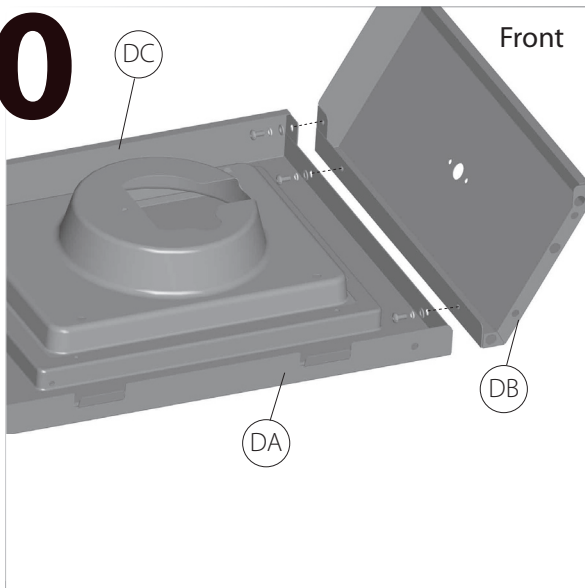
TIP: To position the right side shelf, insert the two hooks on the side shelf assembly into the two openings located on the right upper side panel (BC).

9. Assemble the right side shelf assembly to the cart assembly, as shown in figure B.






- *  #1 - 1/4" x 38mm Screw (x1)
-  #2 - 1/4" x 16mm Screw (x4)
-  #4 - ø7 Lock Washer (x5)
-  #5 - ø7 Washer (x5)

10

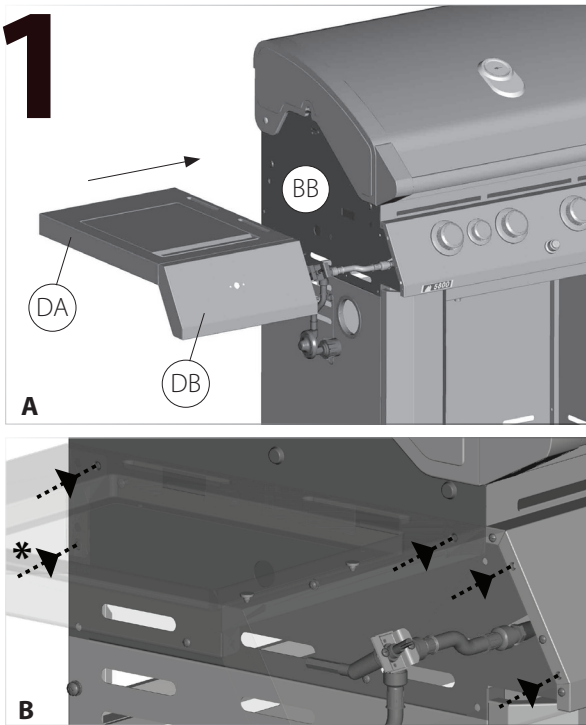


10. Attach the left shelf fascia (DB) to the left side shelf table (DA).

-  #6 - NO. 10x10 Screw (x3)
-  #7 - ø5 Lock Washer (x3)
-  #8 - ø5 Washer (x3)

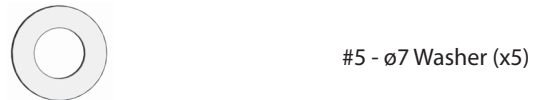
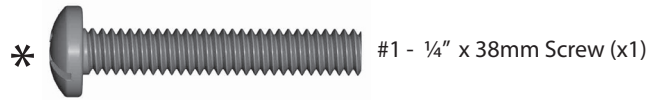
ASSEMBLY INSTRUCTIONS

11

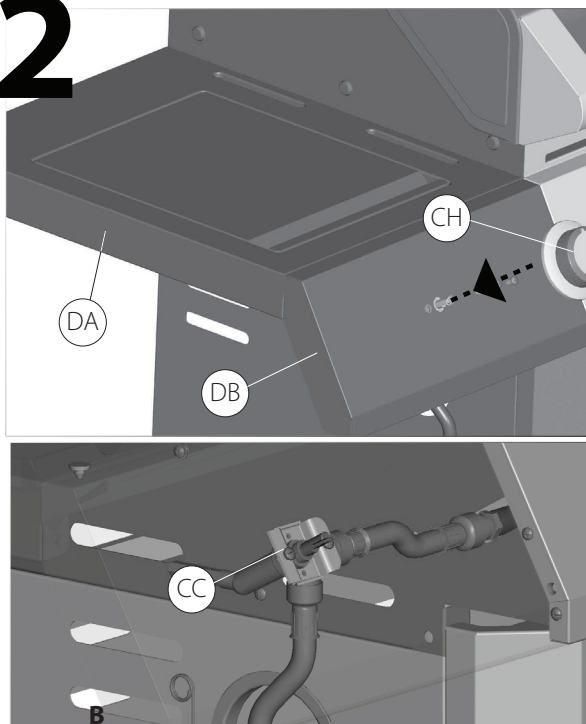


TIP: To position the left side shelf, insert the two hooks on the side shelf assembly into the two openings located on the upper left side panel (BB).

11. Assemble the right side shelf assembly to the cart assembly, as shown in figure B.



12



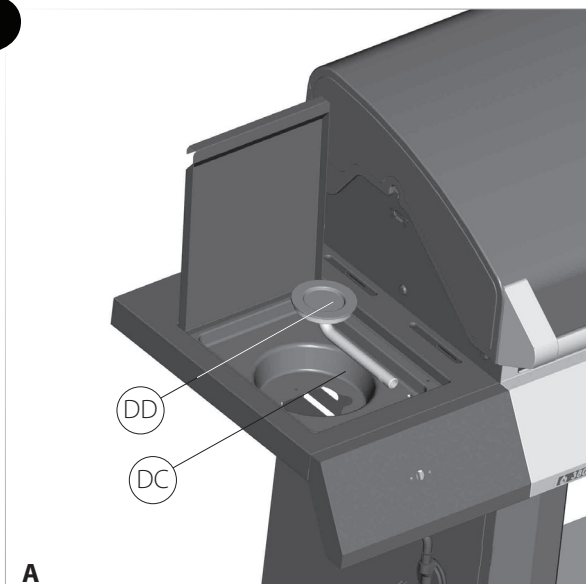
12a. Remove the hardware that is pre-assembled to the side burner valve bracket (CC), as shown in figure B. Insert the side burner valve stem through the rear of the left side shelf fascia (DB). Assemble the side burner valve to the side shelf fascia, using the hardware removed.

Hardware may be included with the hardware pack.

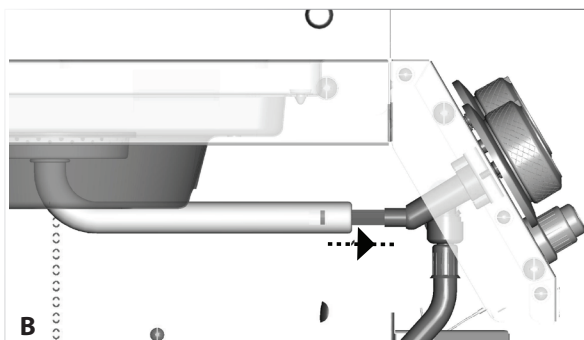
12b. Assemble the Side burner control knob to the side burner valve (CC).



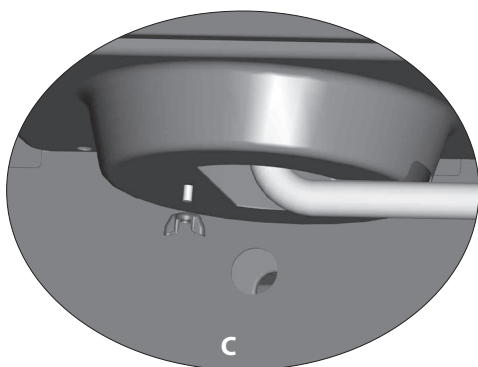
13



13a. Position the side burner (DD) through the opening in the left side shelf (DA).



13b. Make sure that the burner engages the side burner valve as shown as shown in figure B.

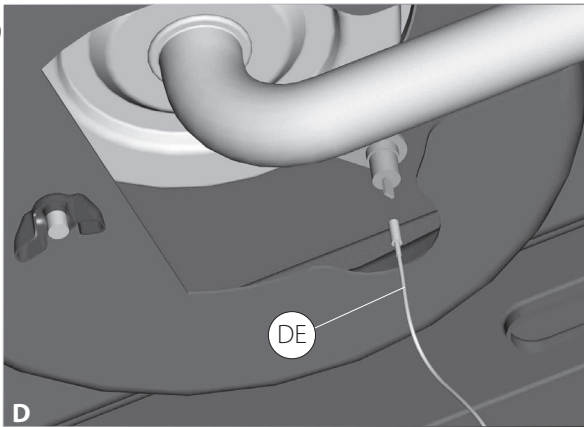


13c. Using the Wing nut provided, assemble the side burner to the side burner drip pan (DC), as shown in figure C.



#13 - Wing Nut (x1)

13



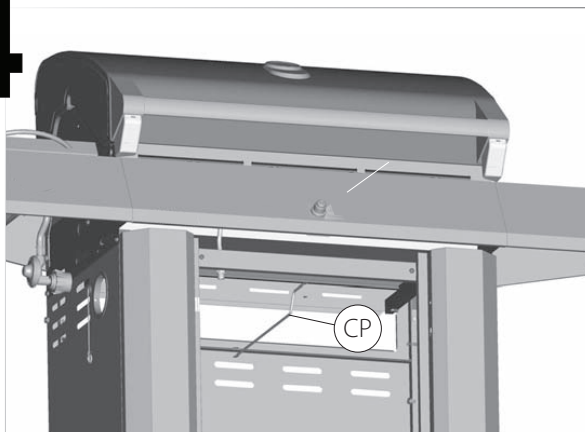
13d. Attach the end of the side burner electrode wire (DE) to the underside of the side burner electrode, as shown in figure D.

Ensure that the wire is pushed in firmly.



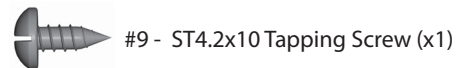
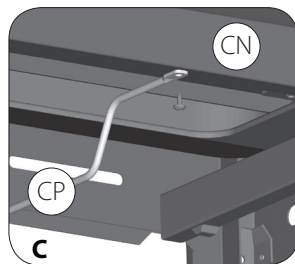
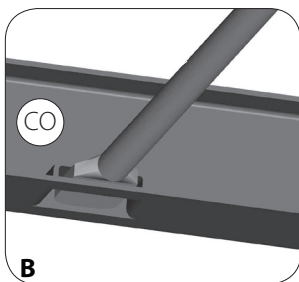
13e. Place the side burner cooking grate (DG) into position on the side burner shelf, as shown in figure E.

14

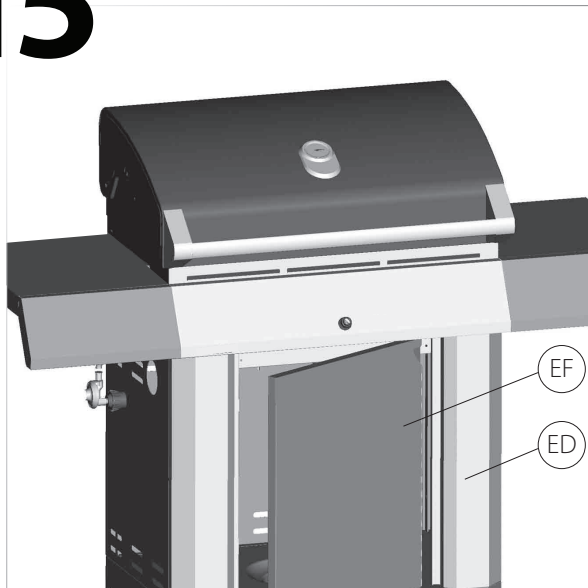


For propane model only.

14. Insert the flat end of the Tank Exclusion Bar (CP) into the groove on the upper back panel (CO), as shown in figure B. Next, attach the tank exclusion bar (CP) to the Front Brace (CN) using the self tapping, as shown in figure C

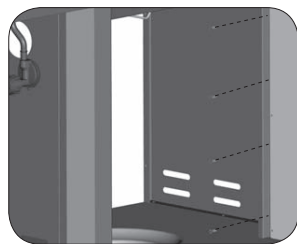


15

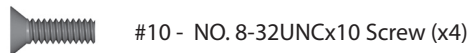


TIP: Before attempting to assemble the door (EF) to the right pillar (ED), locate the two clasps on the door Hinge. Next, locate the two small openings on the right side pillar.

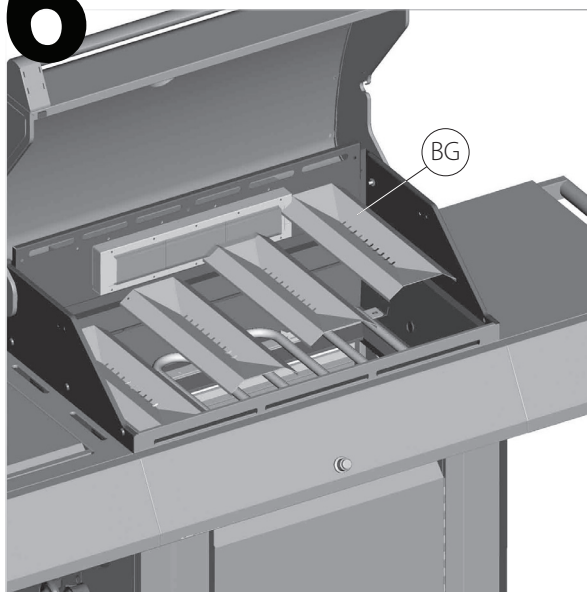
15a. Hold the door perpendicular to the BBQ Cart. Align the two clasps on the door hinge (EF), with the two holes on the right side pillar (ED). Once aligned push the two clasps into the openings, and immediately push down to lock clasps in place.



15b. Assemble the door (EF) to the right pillar (ED), as shown in figure B, using the screws provided.

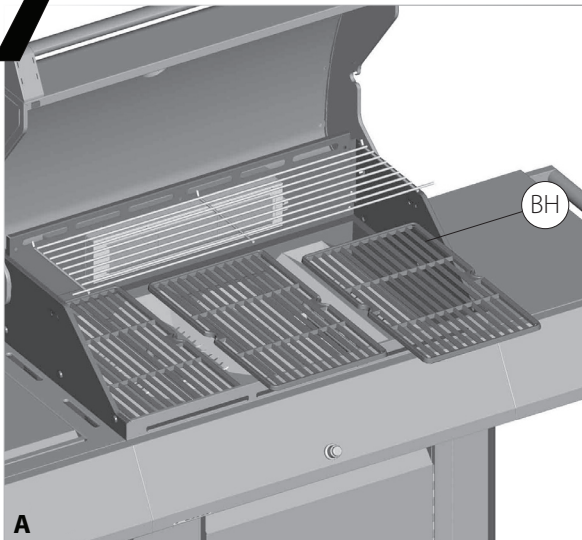


16



16. Place the flame tamers (BG) into the burner box.

17

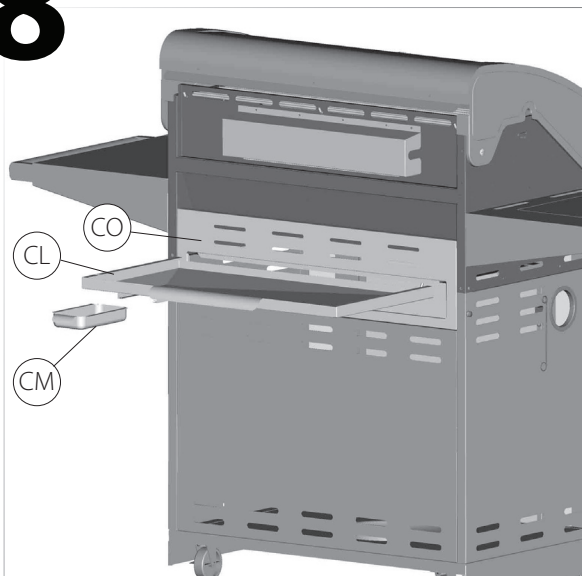


17a. Place the cooking grates (BH) into the burner box, as shown in figure A.



17b. Insert the three small positioning rods of the warming rack (BI) into the rotisserie burner brace (BA4)

18



18a. Insert the grease tray (CL) into the opening in the upper back panel (CO), making sure to engage tracks located under burner box.

18b. Place the grease cup (CM) onto the tracks, located on the underside of the grease tray (CL).

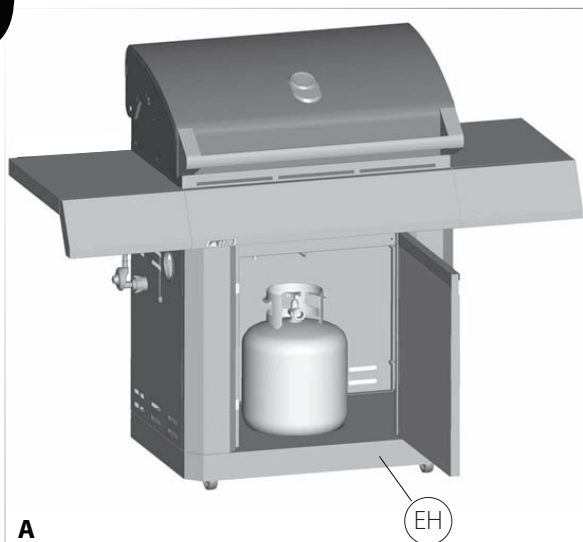
19



19. Unscrew the electronic ignitor button (CF2) and insert one AA battery into the electronic igniter battery compartment, with the positive end facing outward.

*** Battery not included.**

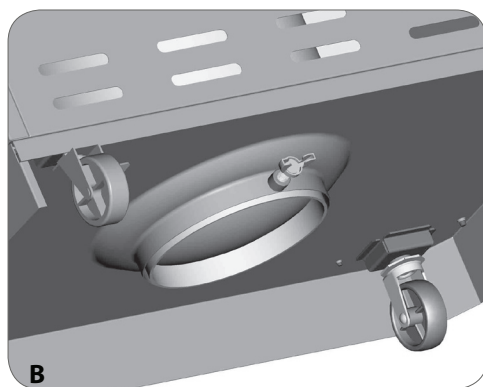
20



For propane model only.

20a. Position the 20 lb propane tank onto the bottom shelf (EH), and secure using the bolt (already attached) located on the underside of the bottom shelf, as shown in figure B.

For natural gas model, follow step 21

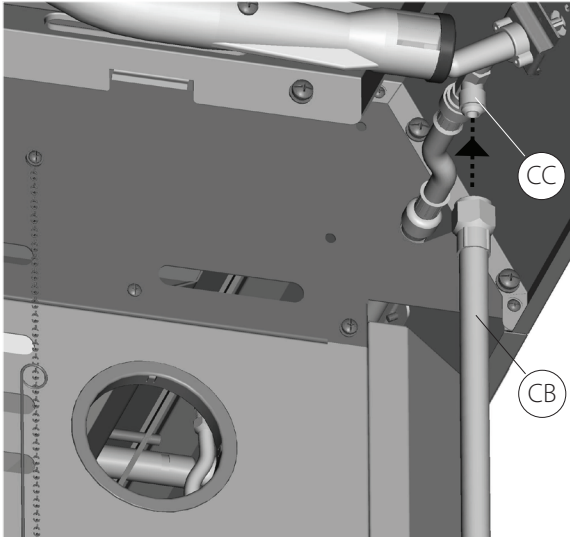


20b. Attach the Regulator coupling nut to the LP cylinder valve.

ATTENTION: For your families safety, do not attempt to light this BBQ until you have reviewed pages 4-7 of the CENTRO Safety & Care Manual. All Safety and Leak test **MUST BE PERFORMED BY THE END USER**, prior to lighting this BBQ.

⚠ WARNING
Do not store extra propane tanks within BBQ cart.

21



For natural gas model only.

21. Attach the Natural Gas Hose(CB) to the side burner valve(CC) as shown.