

This Owner's Manual is provided and hosted by [Appliance Factory Parts](http://ApplianceFactoryParts.com).



Centro 85-1654-6, 6800 NG (2008) Owner's Manual

[Shop genuine replacement parts for Centro 85-1654-6,
6800 NG \(2008\)](#)



[Find Your Centro Grill Parts - Select From 150 Models](#)

----- Manual continues below -----

CENTRO



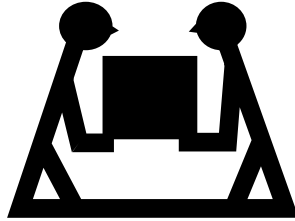
Centro 6800 Assembly Manual

85-1629-8 (G61702) Propane
85-1654-6 (G61704) Natural Gas
Limited 5-Year Warranty

Read and save manual for future reference.

**Assemble your grill immediately.
Missing or damaged parts should be
claimed within 15 days of purchase.**

Manual Revision #: 021508



HEAVY ARTICLE NEEDS 2 TO LIFT

THIS MANUAL MUST REMAIN WITH THE PRODUCT AT ALL TIMES

To ORDER non-warranty replacement parts or accessories, or to register your warranty, please visit us on the web at www.centrobbqs.com.

⚠ CAUTION

Sharp edges. Wear gloves when assembling your grill.

⚠ CAUTION

Read and follow all safety statements, assembly instructions, and use and care directions before attempting to assemble and cook.

⚠ INSTALLER OR ASSEMBLER/CONSUMER

This manual should be kept with the BBQ at all times.

⚠ WARNING

Failure to follow all of the Manufacturer's instructions could result in hazardous fires, explosions, property damage, or serious personal injury or even death.

Follow all leak check procedures carefully prior to operation of barbecue, even if grill was dealer assembled. Do not try to light this barbecue without reading the Lighting Instructions section of this manual.

⚠ DANGER

1. If you smell Gas:
 - a. Shut off gas to the appliance
 - b. Extinguish any open flame
 - c. Open lid
 - d. If odor continues, keep away from the appliance and immediately call your gas supplier or your fire department
2. Do not store or use gasoline or other flammable vapours and liquids in the vicinity of this or any other appliance.
3. An LP cylinder not connected for use shall not be stored in the vicinity of this or any other appliance.
4. Requires two people to complete the assembly process.
5. Beware of sharp edges.

THIS BARBECUE IS FOR OUTDOOR USE ONLY

CONTACT CALL CENTRE IF ANY PARTS ARE MISSING

HARDWARE PACK

TOOLS NEEDED FOR ASSEMBLY

- #2 Phillips screwdriver (long and short)
- ¼" Slotted screwdriver (long and short)
- Adjustable wrench
- Pliers
- Rubber Mallet

Before assembling the barbecue, read these instructions carefully.

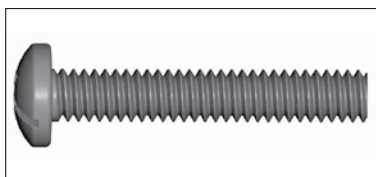
Assemble the barbecue on a flat, clean surface. Grill is heavy.

Notes: Do not fully tighten all the nuts during this initial stage.

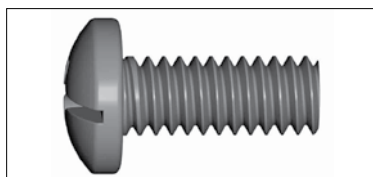
No.	Description	Part Number	Quantity
1	1/4"×38mm Screw	20120-13038-250	4
2	1/4"×16mm Screw	20120-13016-250	8
3	1/4"×13mm Screw	20120-13013-250	14
4	ø7 Lock Washer	41400-07000-250	26
5	ø7 Washer	40300-07000-250	26
6	NO.10×10 Screw	20124-10010-250	28
7	ø5 Lock Washer	41400-05000-250	28
8	ø5 Washer	40300-05000-250	28
9	NO.10 Nut	30224-10000-250	4
10	ST4.2×20 Tapping Screw	22500-42018-250	1
11	ST4.2×10 Tapping Screw	22500-42010-137	1
12	NO.8-32UNC x10 Screw	20332-08010-250	4
13	Control Knob	G412-4500-9000	1
14	Wrench	G401-0071-0182	1

Caution:

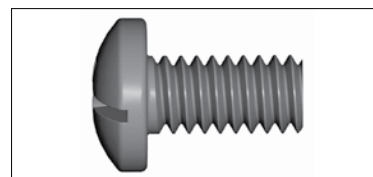
Sheet metal can cause injury. Wear gloves when installing the grill.



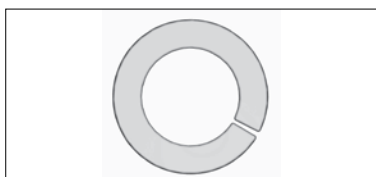
#1. 1/4"×38mm Screw (x4)



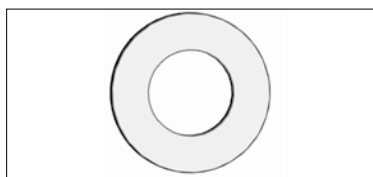
#2. 1/4"×16mm Screw (x8)



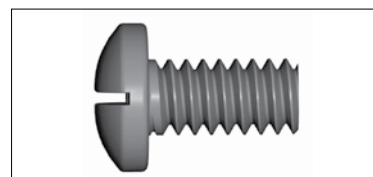
#3. 1/4"×13mm Screw (x14)



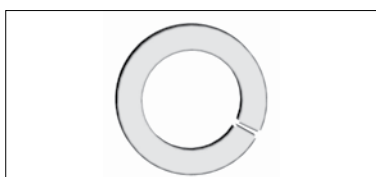
#4. ø7 Lock Washer (x26)



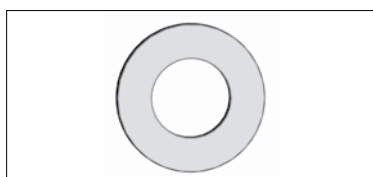
#5. ø7 Washer (x26)



#6. NO.10×10 Screw (x28)



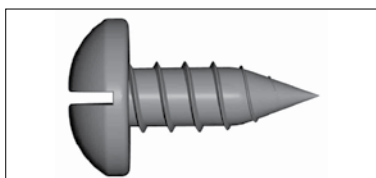
#7. ø5 Lock Washer (x28)



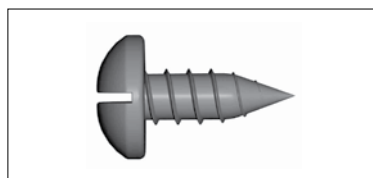
#8. ø5 Washer (x28)



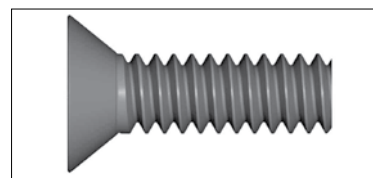
#9. NO.10 Nut (x4)



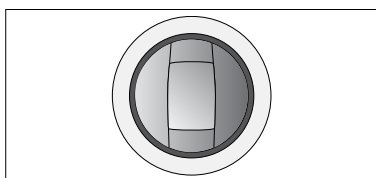
#10. ST4.2×20 Tapping Screw (x1)



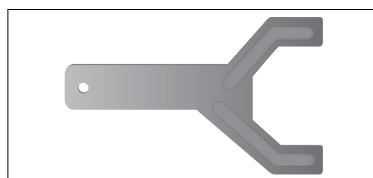
#11. ST4.2×10 Tapping Screw (x1)



#12. NO.8-32UNC x10 Screw (x4)



#13. Control Knob (x1)

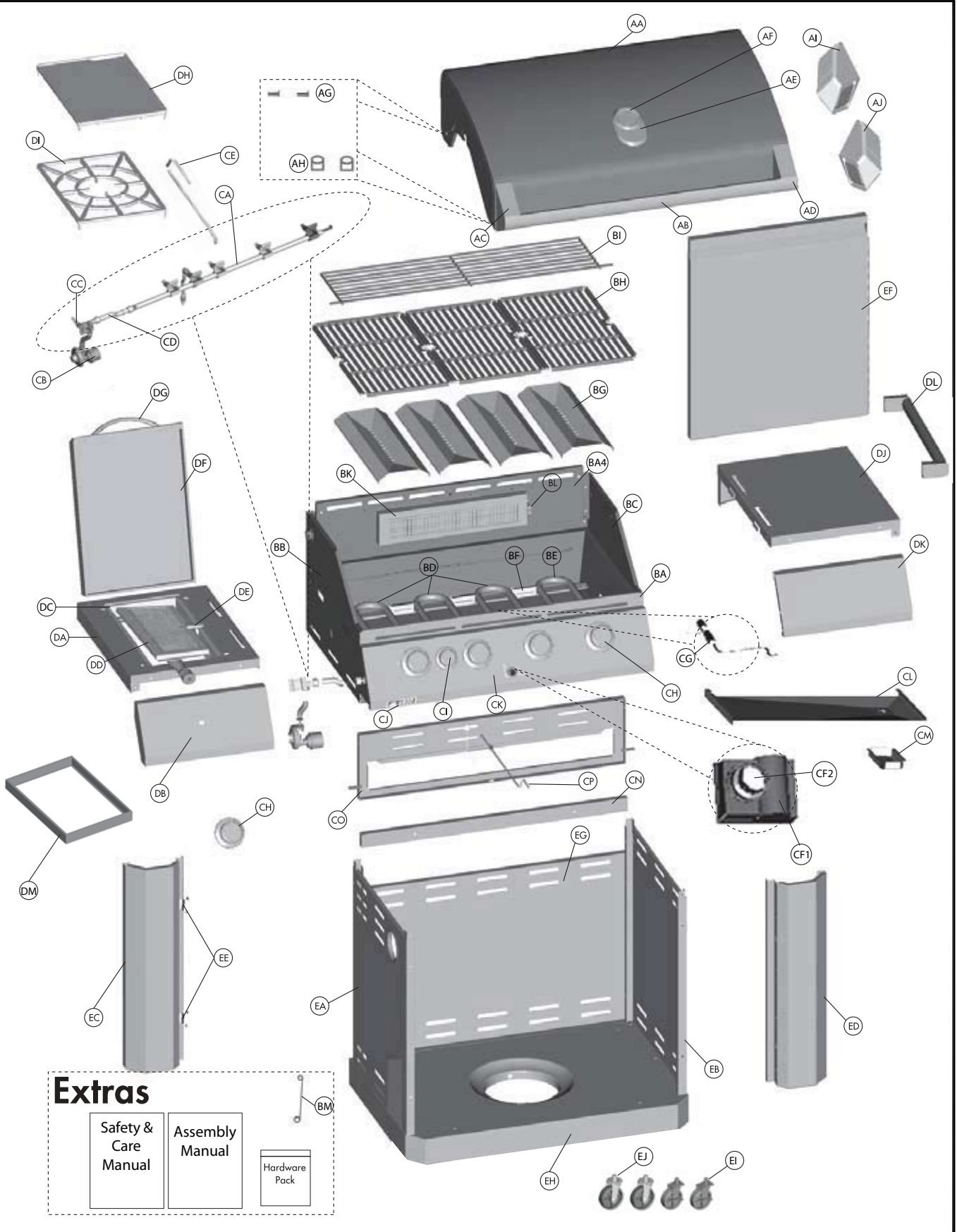


#14. Wrench (x1)

PARTS LIST (PROPANE) FOR 85-1629-8 (G61702)

Item	Qty.	Description	Part No.	Item	Qty.	Description	Part No.
AA	1	Top Lid	G617-1600-01	DA	1	Side shelf table- Left	G617-1400-01
AB	1	Lid handle	G617-0003-01	DB	1	Side Shelf fascia- Left	G617-0030-01
AC	1	Lid handle end cap - Left	G617-0004-01	DC	1	Sear Zone support frame	G617-0058-01
AD	1	Lid handle end cap - Right	G617-0005-01	DD	1	Sear Zone burner	G617-5200-01
AE	1	Logo plate	G412-0001-01	DE1	1	Electrode set, Sear Zone	G610-0009-01
AF	1	Thermometer	G412-0003-01	DE2	1	Ground wire, Sear Zone burner	G610-0009-01
AG	2	Screws for top lid	G501-0005-01	DF	1	Lid-Sear Zone	G617-0059-01
AH	2	Lid Bumper	G508-0063-01	DG	1	Lid handle- Sear Zone	G607-0040-01
AI	1	Grill handle light - Left	G430-0014-02	DH	1	Cooking griddle-Sear Zone	G617-0061-01
AJ	1	Grill handle light - Right	G430-0015-02	DI	1	Cooking grate, Sear Zone	G617-0060-01
BA1	1	Burner box assembly	G617-0200-01	DJ	1	Side shelf table- Right	G617-1500-01
BA2	1	Burner box side panel - Left	G617-0300-01	DK	1	Side shelf fascia-Right	G617-0026-01
BA3	1	Burner box side panel - Right	G617-0400-01	DL1	1	Towel bar	G617-0027-01
BA4	1	Rotisserie burner brace	G617-0011-01	DL2	2	Towel bar end caps	G617-0028-01
BB	1	Upper Side Panel - Left	G512-0300-01	DM	1	Infrared burner wind shield	G617-0066-01
BC	1	Upper Side Panel - Right	G512-0400-01	EA	1	Cart side panel - Left	G617-1900-01
BD	3	Main Burner-A	G502-1700-01	EB	1	Cart side panel - Right	G617-1800-01
BE	1	Main Burner-B	G502-1900-01	EC	1	Pillar - Left	G617-2400-01
BF	1	Carryover Assembly	G617-0029-01	ED	1	Pillar - Right	G617-2500-01
BG	4	Flame Tamer	G617-0019-01	EE	2	Magnet assembly	G501-0016-01
BH	3	Cooking Grate	G617-0020-01	EF	1	Door assembly	G617-8100-01
BI	1	Warming Rack	G617-0018-01	EG	1	Cart back panel	G617-0057-01
BJ	1	Wind shield, rotisserie	G617-0036-01	EH	1	Bottom Shelf	G617-0900-01
BK	1	Rotisserie burner	G607-4000-01	EI	2	Wheel with lock	G401-0061-01
BL1	1	Electrode set, rotisserie burner	G411-0002-01	EJ	2	Wheel	G606-0027-01
BL2	1	Ground wire, rotisserie burner, main burner	G411-0004-01				
BM	1	Match holder	G608-0019-01		1	Hardware Pack	G617-B002-01
CA	1	Manifold assembly	G617-4500-01		1	Assembly manual	G617-M002-01
CB	1	Regulator	G433-0034-01		1	Safety & Use Manual	G617-M001-02
CC	1	Valve, sideburner	G617-0050-01				
CD	1	Metal Hose, sideburner	G608-0039-01				
CE	1	Rotisserie flexible hose	G411-0013-01				
CF1	1	Electronic ignition assembly	G508-0075-01				
CF2	1	Electronic ignition button	G501-0072-01				
CG1	2	Electrode set, main burner	G617-0017-01				
CG2	1	Ground wire, main burners	G411-0004-01				
CH	1	Control knob	G412-4500-01				
CI	1	Rotisserie knob	G617-4200-01				
CJ	1	Series logo plate	G617-0053-01				
CK	1	Control panel	G617-0012-01				
CL	1	Grease tray	G617-1300-01				
CM	1	Grease cup	G416-0015-01				
CN	1	Front brace	G617-0023-01				
CO	1	Upper back panel	G617-2800-01				
CP	1	Tank exclusion	G617-0037-01				

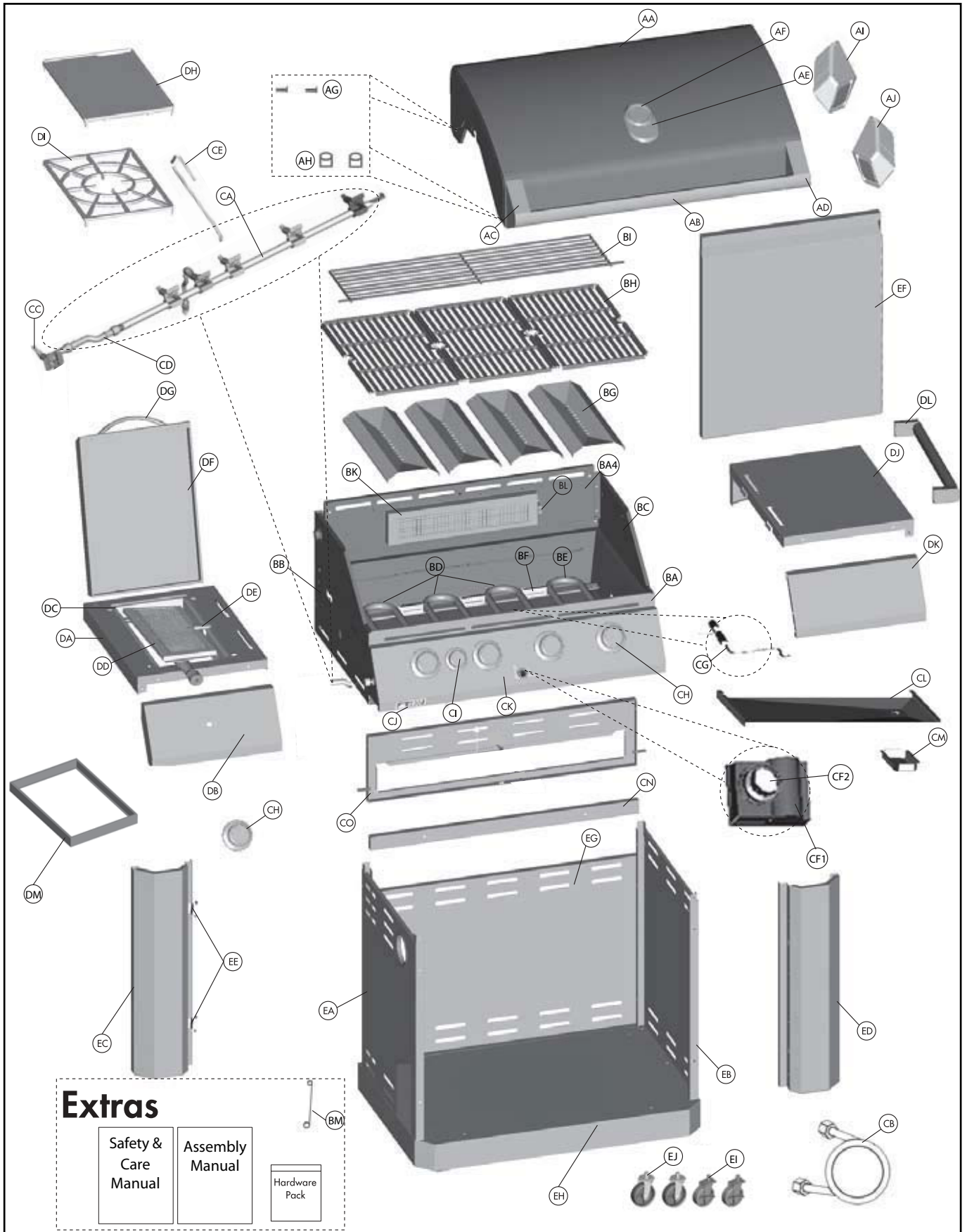
EXPLODED DIAGRAM (PROPANE) FOR 85-1629-8 (G61702)



PARTS LIST (NATURAL GAS) FOR 85-1654-6 (G61704)

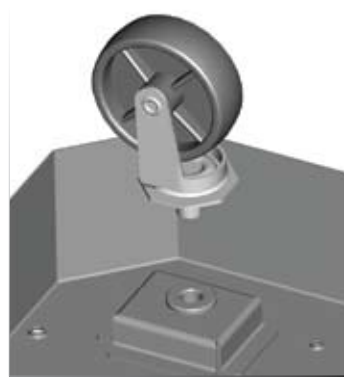
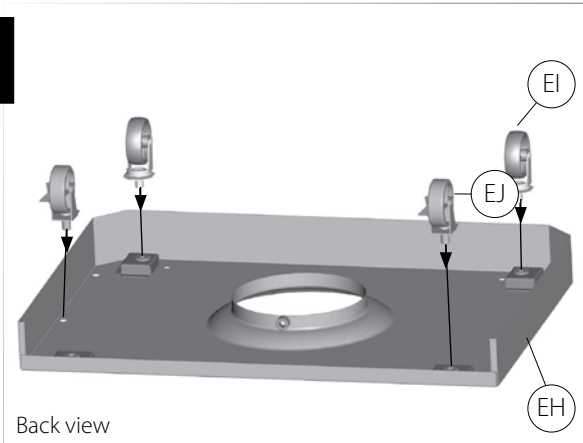
Item	Qty.	Description	Part No.	Item	Qty.	Description	Part No.
AA	1	Top Lid	G617-1600-01	DA	1	Side shelf table- Left	G617-1400-01
AB	1	Lid handle	G617-0003-01	DB	1	Side Shelf fascia- Left	G617-0030-01
AC	1	Lid handle end cap - Left	G617-0004-01	DC	1	Sear Zone support frame	G617-0058-01
AD	1	Lid handle end cap - Right	G617-0005-01	DD	1	Sear Zone burner	G617-5200-01
AE	1	Logo plate	G412-0001-01	DE1	1	Electrode set, Sear Zone	G610-0009-01
AF	1	Thermometer	G412-0003-01	DE2	1	Ground wire, Sear Zone burner	G610-0009-01
AG	2	Screws for top lid	G501-0005-01	DF	1	Lid-Sear Zone	G607-0040-01
AH	2	Lid Bumper	G508-0063-01	DG	1	Lid handle- Sear Zone	G617-0059-01
AI	1	Grill handle light - Left	G430-0014-02	DH	1	Cooking griddle-Sear Zone	G617-0061-01
AJ	1	Grill handle light - Right	G430-0015-02	DI	1	Cooking grate, Sear Zone	G617-0060-01
BA1	1	Burner box assembly	G617-0200-01	DJ	1	Side shelf table- Right	G617-1500-01
BA2	1	Burnerbox side panel - Left	G617-0300-01	DK	1	Side shelf fascia-Right	G617-0026-01
BA3	1	Burnerbox side panel - Right	G617-0400-01	DL1	1	Towel bar	G617-0027-01
BA4	1	Rotisserie burner brace	G617-0011-01	DL2	2	Towel bar end caps	G617-0028-01
BB	1	Upper Side Panel - Left	G512-0300-01	DM	1	Infrared burner wind shield	G617-0066-01
BC	1	Upper Side Panel - Right	G512-0400-01	EA	1	Cart side panel - Left	G617-1900-01
BD	3	Main Burner-A	G502-1700-01	EB	1	Cart side panel - Right	G617-1800-01
BE	1	Main Burner-B	G502-1900-01	EC	1	Pillar - Left	G617-2400-01
BF	1	Carryover Assembly	G617-0029-01	ED	1	Pillar - Right	G617-2500-01
BG	4	Flame Tamer	G617-0019-01	EE	2	Magnet assembly	G501-0016-01
BH	3	Cooking grate	G617-0020-01	EF	1	Door assembly	G617-8100-01
BI	1	Warming rack	G617-0018-01	EG	1	Cart back panel	G617-0057-01
BJ	1	Wind shield, rotisserie	G617-0036-01	EH	1	Bottom Shelf	G617-2600-01
BK	1	Rotisserie burner	G607-4000-01	EI	2	Wheel with lock	G401-0061-01
BL1	1	Electrode set, rotisserie burner	G411-0002-01	EJ	2	Wheel	G606-0027-01
BL2	1	Ground wire, rotisserie burner, main burner	G411-0004-01				
BM	1	Match holder	G608-0019-01		1	Hardware Pack	G617-B002-01
CA	1	Manifold assembly	G617-4600-01		1	Assembly manual	G617-M002-01
CB	1	Natural gas hose	G411-0084-01		1	Safety & Use Manual	G617-M001-02
CC	1	Valve, sideburner	G617-0051-01				
CD	1	Metal Hose, sideburner	G608-0039-01				
CE	1	Rotisserie flexible hose	G601-0072-01				
CF1	1	Electronic igniter assembly	G508-0075-01				
CF2	1	Electronic ignition button	G501-0072-01				
CG1	2	Electrode set, main burner	G617-0017-01				
CG2	1	Ground wire, main burners	G411-0004-01				
CH	1	Control knob	G412-4500-01				
CI	1	Rotisserie knob	G617-4200-01				
CJ	1	Series logo plate	G617-0053-01				
CK	1	Control panel	G617-0012-01				
CL	1	Grease tray	G617-1300-01				
CM	1	Grease cup	G416-0015-01				
CN	1	Front brace	G617-0023-01				
CO	1	Upper back panel	G617-2800-01				

EXPLODED DIAGRAM (NATURAL GAS) FOR 85-1654-6 (G61704)



ASSEMBLY INSTRUCTIONS

1

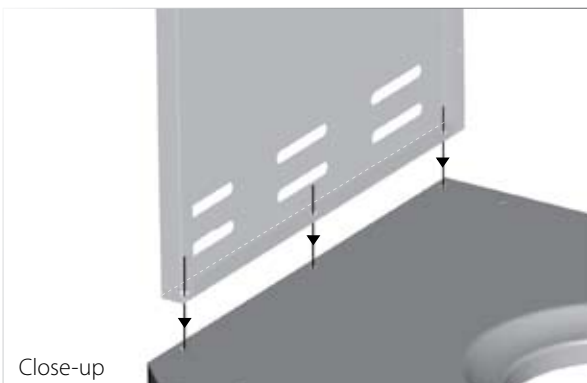
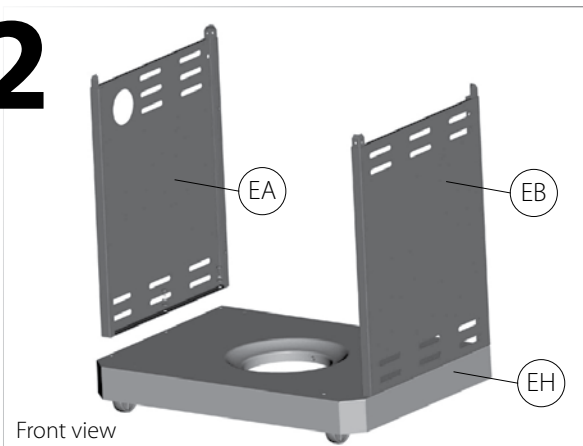


1. Separate the 2 different types of wheels, 2 locking wheels (EI) and 2 regular wheels (EJ).

Attach the locking wheels (EI) to the back of the bottom shelf (EH) and the regular wheels (EJ) to the front of the bottom shelf (EH).

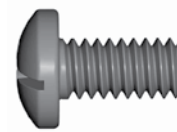
To secure the 4 wheels, hand tighten first. Then, tighten further using the Wrench provided in the hardware pack.

2



2. Ensure that the wheels are firmly locked in the "ON" position before continuing.

Assemble the left cart side panel (EA) and the right side panel (EB) to the bottom shelf (EH).



#3 - 1/4" x 13mm Screw (x6)



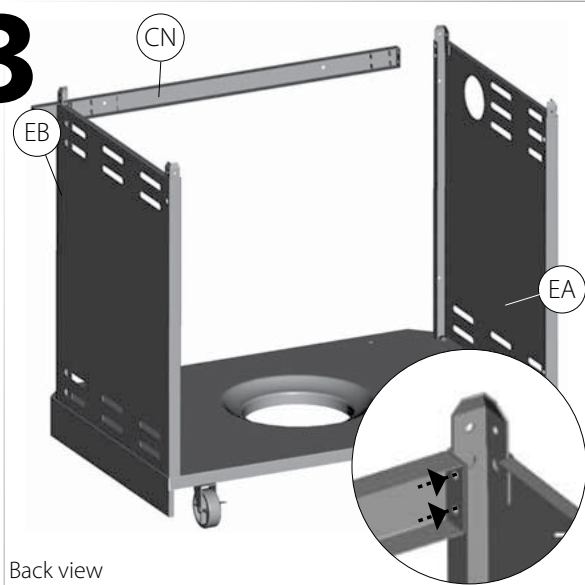
#4 - $\varnothing 7$ Lock Washer (x6)



#5 - $\varnothing 7$ Washer (x6)

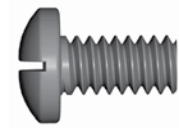
ASSEMBLY INSTRUCTIONS

3



3. Attach the Front Brace (CN) to the Left and right cart side panels (EA and EB).

TIP: One person should align the left side, while the second person assembles the right side.



#6 - NO. 10x10 Screw (x4)

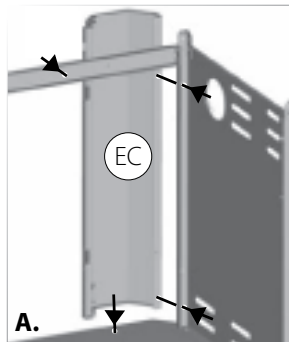


#7 - ø5 Lock Washer (x4)



#8 - ø5 Washer (x4)

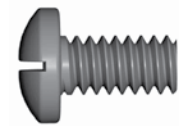
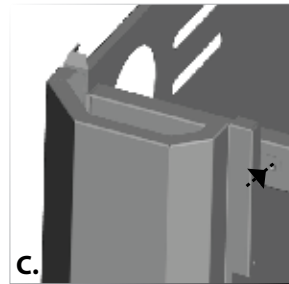
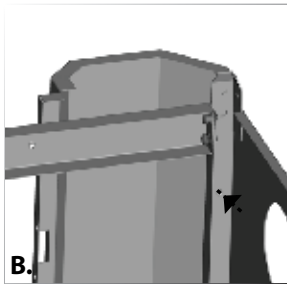
4



4. Assemble the Left and right Pillars (EC and ED), to the cart side panels, as shown in figure A and B.

Next, assemble the left and right pillars to the Front brace (CN) and the Bottom shelf (EH), as shown in figure C and D.

One person should align the left side, while the second person assembles the right side.



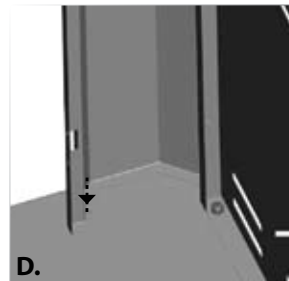
#6 - NO. 10x10 Screw (x8)



#7 - ø5 Lock Washer (x8)

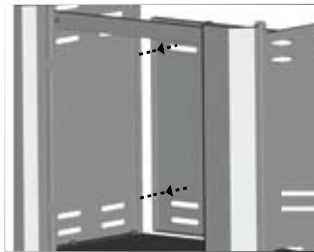
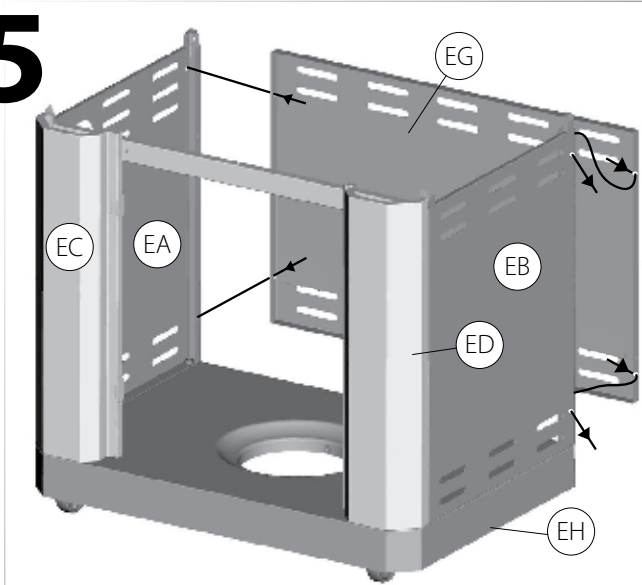


#8 - ø5 Washer (x8)

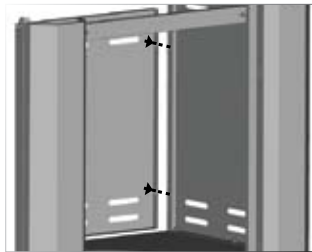


ASSEMBLY INSTRUCTIONS

5

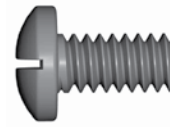


Left side



Right side

5. Attach the back cart panel (EG) to the rear of the left and right cart side panels (EA and EB).



#3 - 1/4" x 13mm Screw (x4)

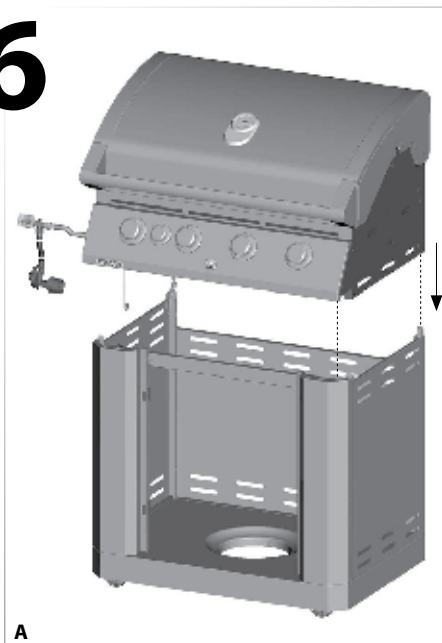


#4 - ø7 Lock Washer (x4)



#5 - ø7 Washer (x4)

6



A



B



C

THIS STEP REQUIRES 3 OR MORE PEOPLE. DO NOT ATTEMPT ALONE. EXTREMELY HEAVY.

6a. Position the top lid and burner box assembly (A and B) onto cart assembly (C) as shown.



#6 - NO. 10x10 Screw (x6)



#7 - ø5 Lock Washer (x6)

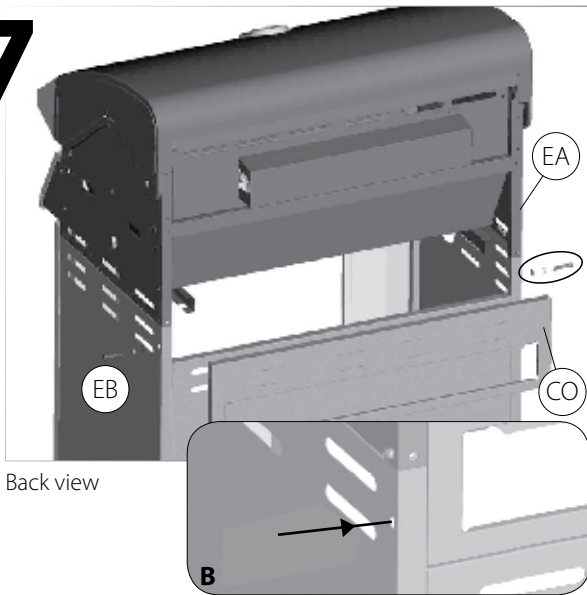


#8 - ø5 Washer (x6)

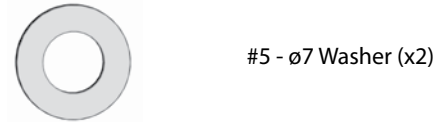
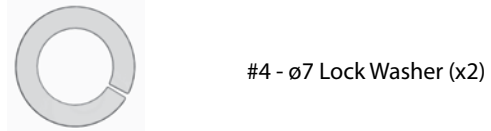
6b. Use the hardware to connect both parts, on the left and right sides, at the three points indicated in Figure B and C.

ASSEMBLY INSTRUCTIONS

7

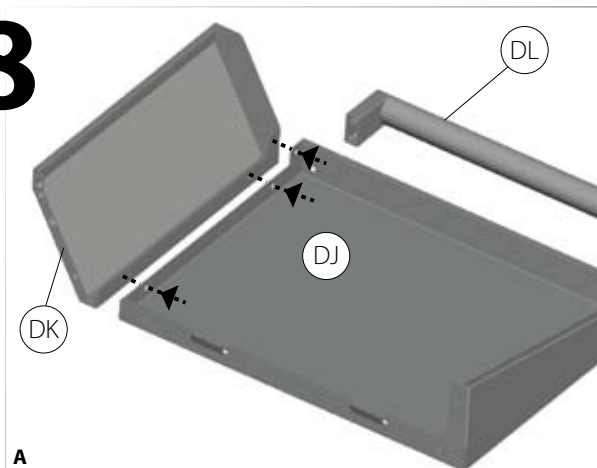


7. Attach the upper back panel (CO) to both the left and right side panels (EA and EB).

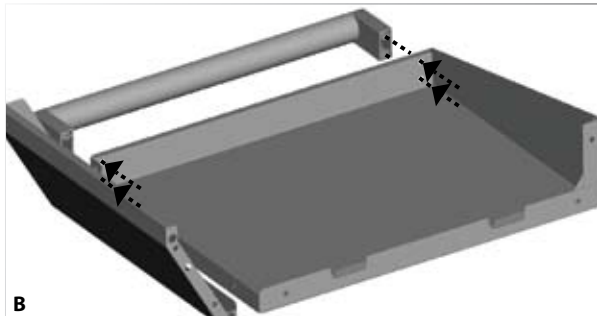
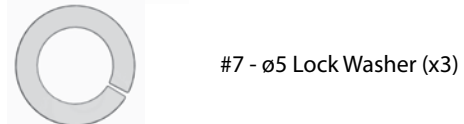


Only install hardware in the bottom portion of the back panel, as shown in figure B.

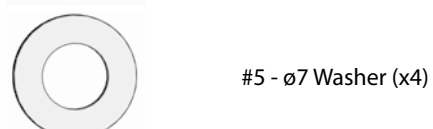
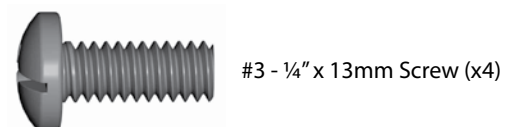
8



8a. Attach the right side shelf fascia (DK) to the right side shelf table (DJ), as shown in figure A.

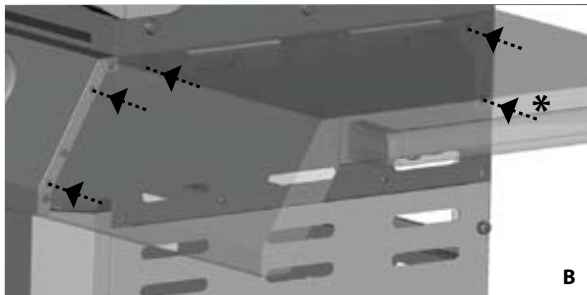
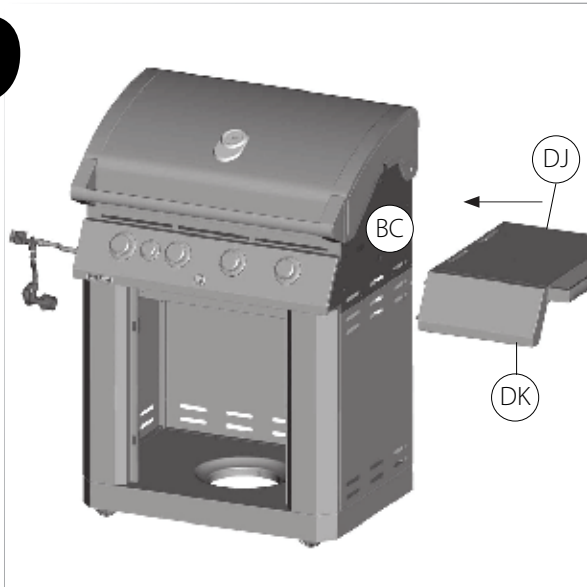


8b. Assemble the towel bar (DL) to the right side shelf table (DJ) as shown in figure B.



ASSEMBLY INSTRUCTIONS

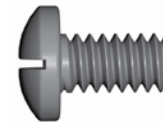
9





TIP: To position the right side shelf, insert the two hooks on the side shelf assembly into the two openings located on the upper side right panel (BC).

9. Assemble the right side shelf assembly to the cart assembly, as shown in figure B.

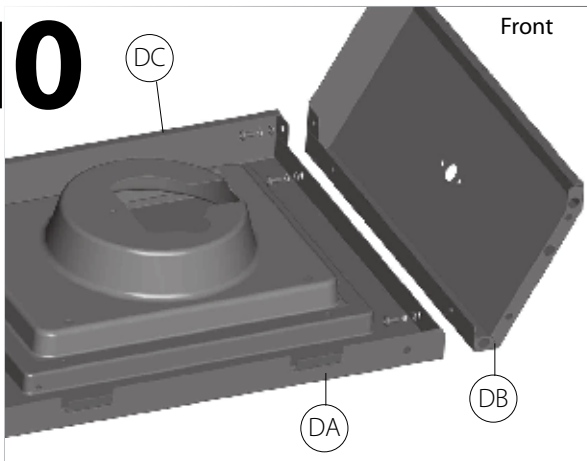
*  #1 - 1/4" x 38mm Screw (x1)

 #2 - 1/4" x 16mm Screw (x4)

 #4 - ø7 Lock Washer (x5)


 #5 - ø7 Washer (x5)

10



10. Attach the left side shelf fascia (DB) to the left side shelf table (DA).

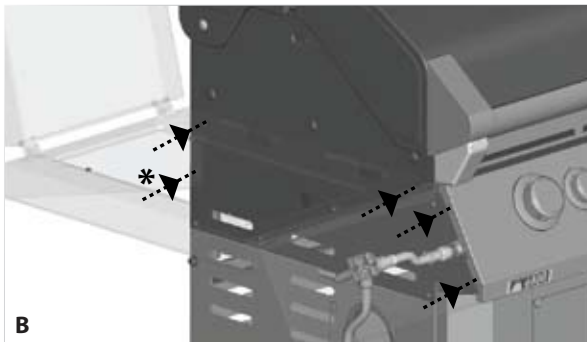
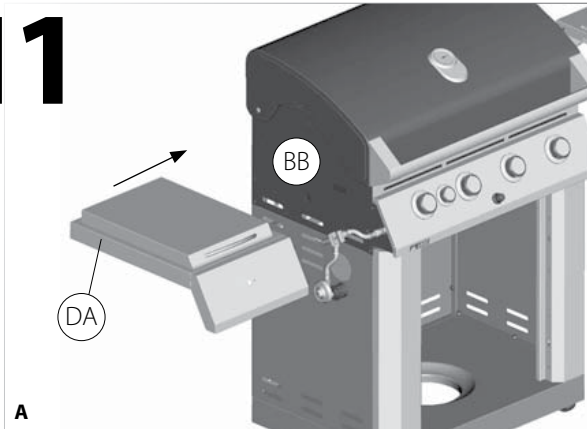
 #6 - NO. 10x10 Screw (x3)

 #7 - ø5 Lock Washer (x3)

 #8 - ø5 Washer (x3)

ASSEMBLY INSTRUCTIONS

11



TIP: To position the left side shelf, insert the two hooks on the side shelf assembly into the two openings located on the upper left side panel (BB).

11. Assemble the right side shelf assembly to the cart assembly, as shown in figure B.

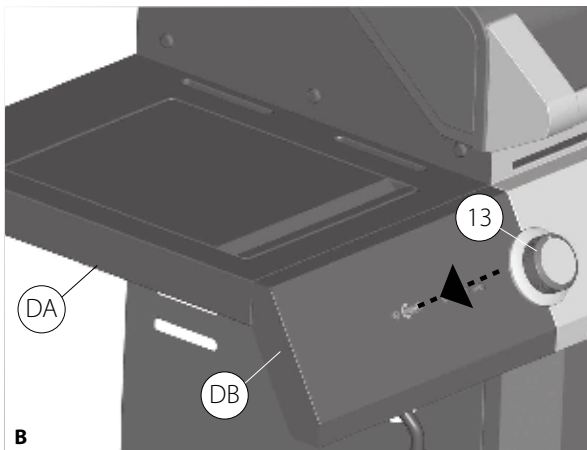
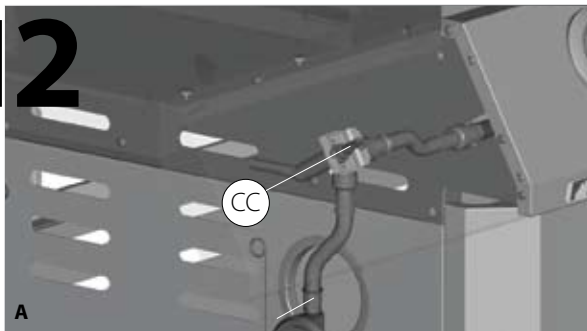
* #1 - 1/4" x 38mm Screw (x1)

#2 - 1/4" x 16mm Screw (x4)

#4 - ϕ 7 Lock Washer (x5)

#5 - ϕ 7 Washer (x5)

12

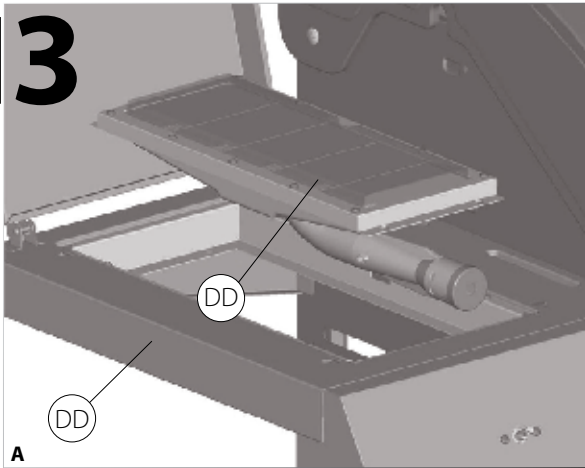


12a. Remove the hardware that is pre-assembled to the side burner valve bracket (CC), as shown in figure A. Insert the side burner valve stem through the rear of the left side shelf fascia (DB). Assemble the side burner valve to the side shelf fascia, using the hardware removed.

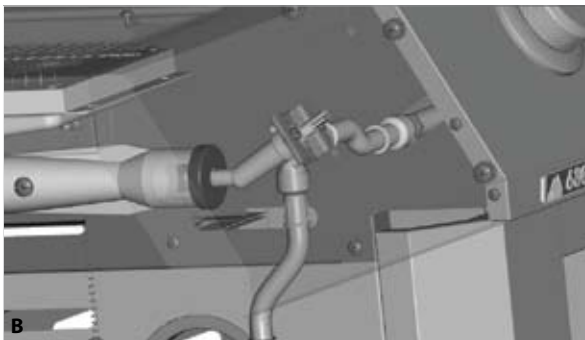
12b. Assemble the Side burner control knob (#13) to the side burner valve (CC).

#13. Knob (x1)

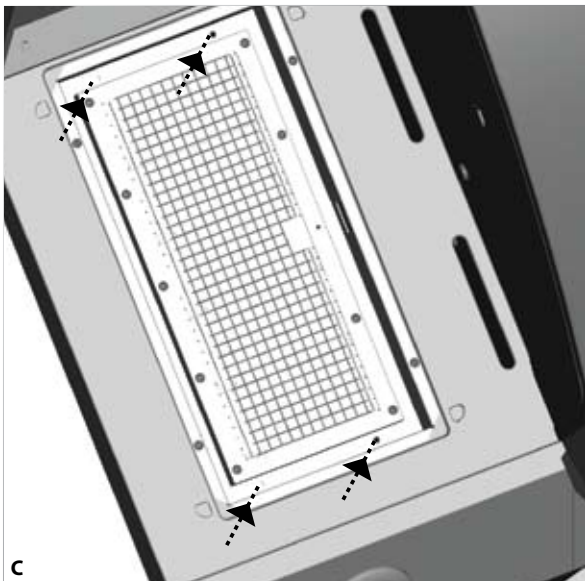
13



13a. Position the Sear Zone burner (DD) through the opening in the left side shelf (DA).



13b. Make sure that the Sear Zone burner (DD) engages the Sear Zone burner valve (CC), gas jet, as shown in figure B.



13c. Assemble the Sear Zone burner (DD) to the Sear Zone support frame (DC), at the 4 points indicated in figure C.



#6 - NO. 10x10 Screw (x4)



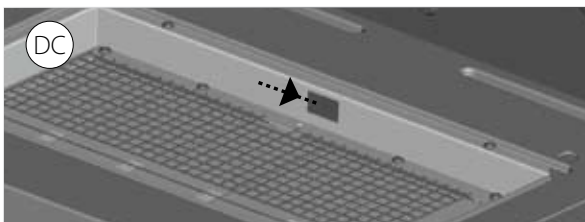
#7 - ø5 Lock Washer (x4)



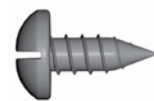
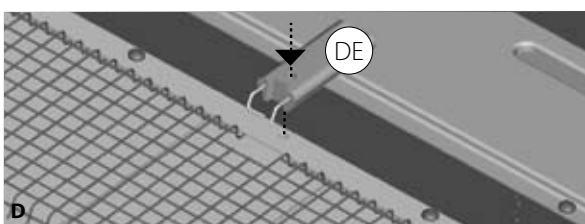
#8 - ø5 Washer (x4)



#9 - NO10 Nut (x4)



13d. Feed the Sear Zone Electrode wire (DE) from underneath the Sear Zone burner (DD), through the small opening on the right side of the Sear Zone support frame (DC). Align and assemble the Electrode using the self tapping screw provided, as shown in figure D.

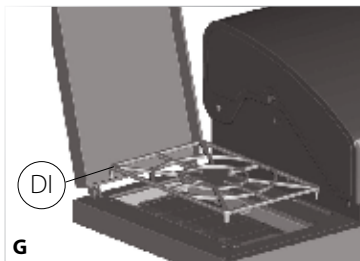
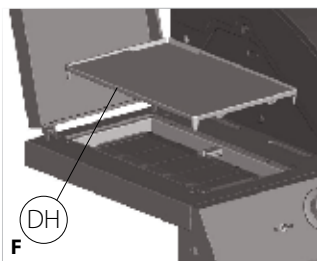


#10 - ST4.2x20 Tapping Screw (x1)

13

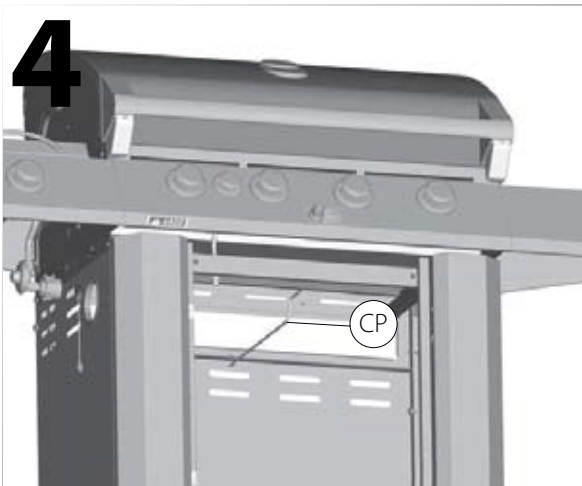


13e. Place the Infrared burner windshield (DM) onto the left side shelf table. This part must be used when cooking under windy conditions.



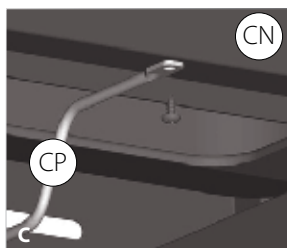
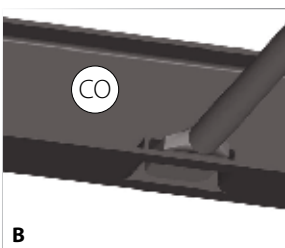
13f. Position either the sear zone cooking griddle (DH) or the cooking grate (DI) in position on the Sear Zone side burner side shelf. Store the extra accessory within the BBQ cart.

14



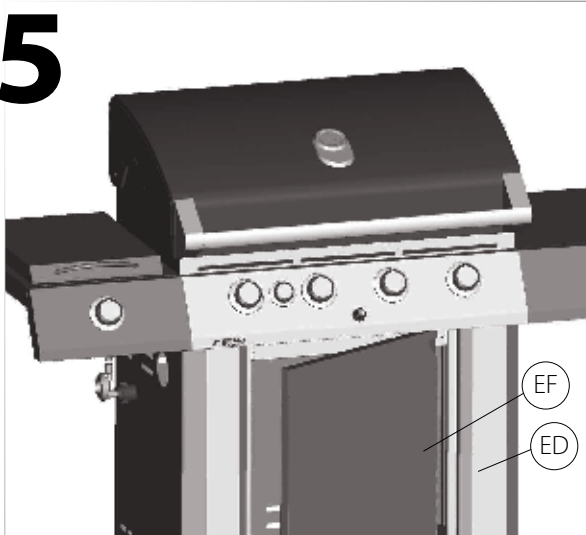
For propane model only.

14. Insert the flat end of the Tank Exclusion Bar (CP) into the groove on the upper back panel (CO), as shown in figure B. Next, attach the tank exclusion bar (CP) to the Front Brace (CN) using the self tapping, as shown in figure C.



#11 - ST4.2x10 Tapping Screw (x1)

15



Before attempting to assemble the door (EF) to the right pillar (ED), locate the two clasps on the door Hinge. Next, locate the two small openings on the right side pillar.

15a. Hold the door perpendicular to the BBQ Cart. Align the two clasps on the door hinge (EF), with the two holes on the right side pillar (ED). Once aligned push the two clasps into the openings, and immediately push down to lock clasps in place.

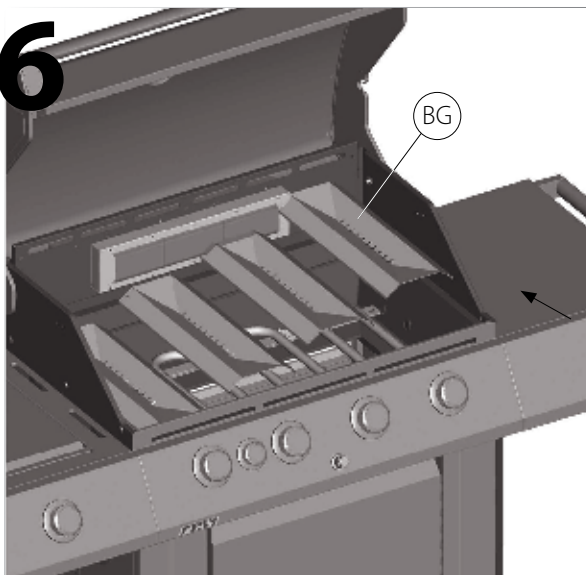


15b. Assemble the door (EF) to the right pillar (ED), as shown in figure B, using the screws provided.



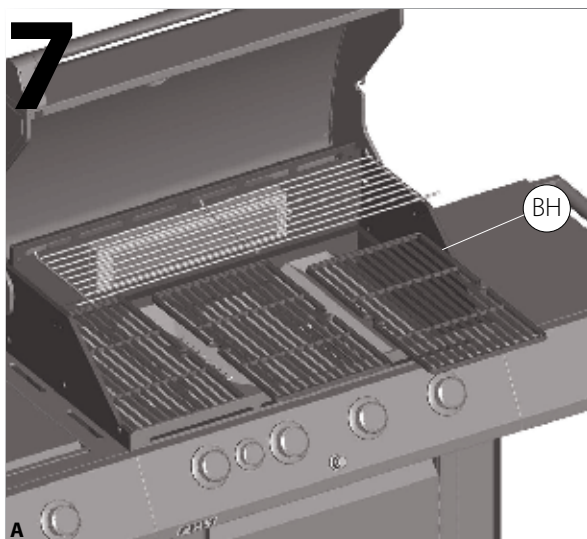
#12- NO. 8-32UNCx10 Screw (x4)

16

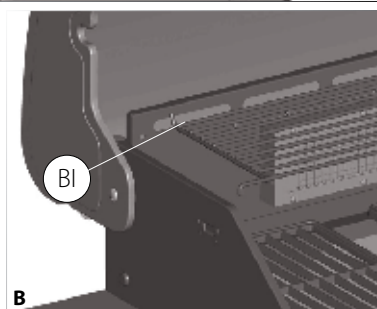


16. Place the flame tamers (BG) into the burner box.

17

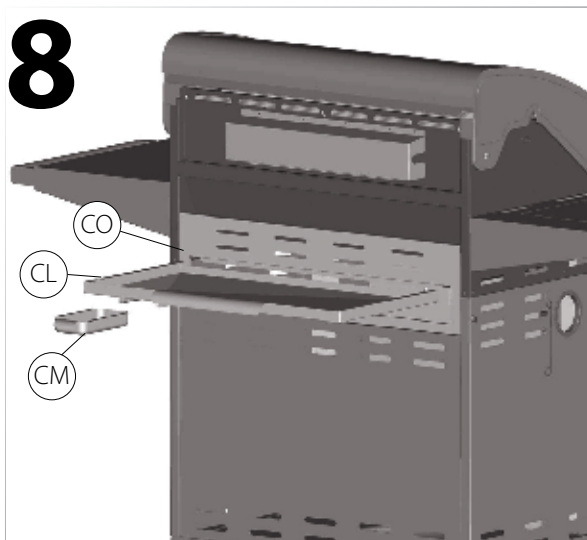


17a. Place the cooking grates (BH) into the burner box, as shown in figure A.



17b. Insert the three small positioning rods of the warming rack (BI) into the rotisserie burner brace (BA4)

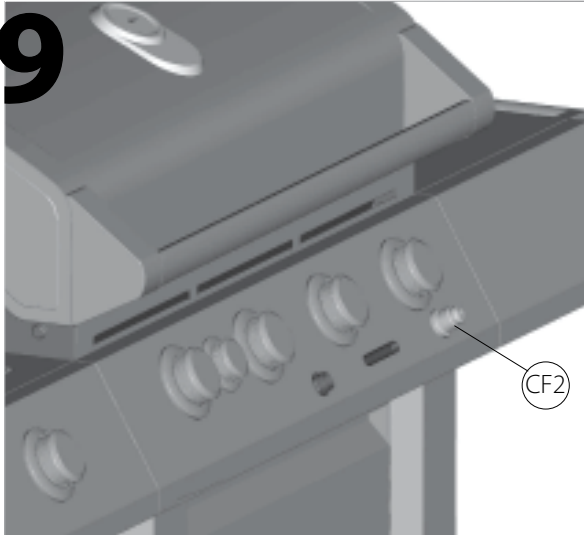
18



18a. Insert the grease tray (CL) into the opening in the upper back panel (CO), making sure to engage tracks located under burner box.

18b. Place the grease cup (CM) onto the tracks, located on the underside of the grease tray (CL).

19



19. Unscrew the electronic ignitor button (CF2) and insert one AA battery into the electronic igniter battery compartment, with the positive end facing outward.

*** Battery not included.**

20

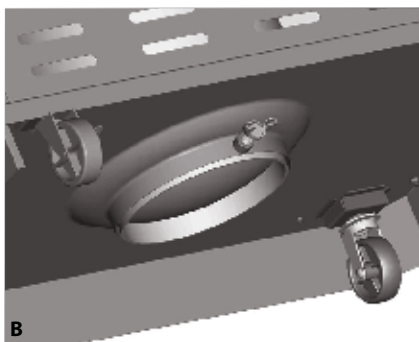


For propane model only.

20a. Position the 20 lb propane tank onto the bottom shelf (EH), and secure using the bolt (already attached) located on the underside of the bottom shelf, as shown in figure B.

For Natural Gas Model follow step 21.

A



20b. Attach the Regulator coupling nut to the LP cylinder valve.

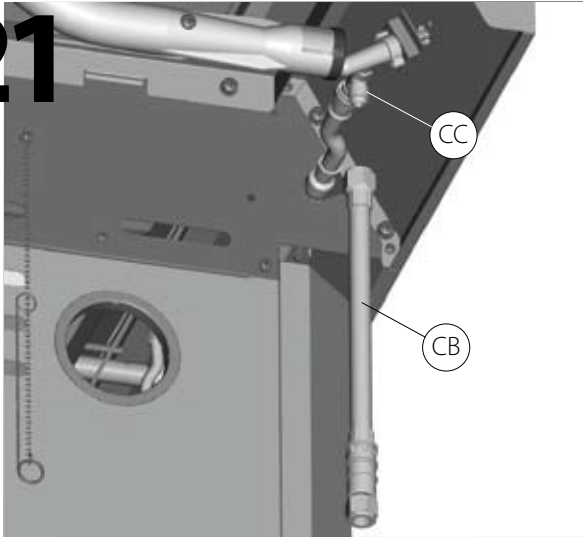
ATTENTION: For your families safety, do not attempt to light this BBQ until you have reviewed pages 4-7 of the CENTRO Safe Use and Care Manual. All Safety and Leak test **MUST BE PERFORMED BY THE END USER**, prior to lighting this BBQ.

WARNING

Do not store extra propane tanks within BBQ cart.

B

21



For natural gas model only.

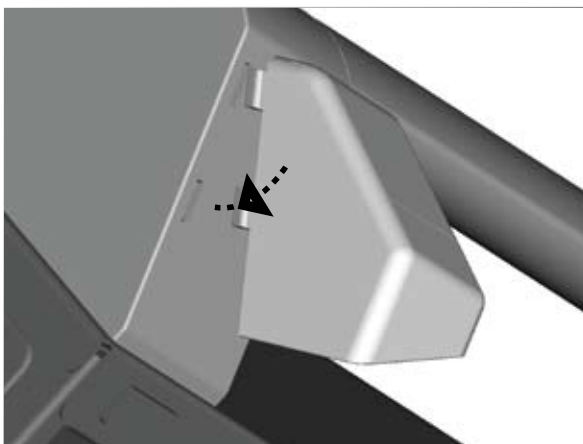
21. Attach the Natural Gas Hose (CB) to the side burner valve (CC) as shown.

22



ATTENTION: The grill handle lights are labelled with L, indicating left handle light and R, indicating right handle light. Locate this letter just below the lens.

22a. Align the top 2 prongs on the left grill handle light (AI) with the top two holes provided on the left, lid handle end cap (AC), and press firmly into position.



22b. Follow immediately by pressing in the lower two prongs of the grill handle light to lock in position.

Repeat Step A) to assemble the right grill handle light (AJ) to the right lid handle end cap (AD).