

This Owner's Manual is provided and hosted by [Appliance Factory Parts](http://www.appliancefactoryparts.com).



GrillPro 236464 Owner's Manual

[Shop genuine replacement parts for GrillPro 236464](#)



[Find Your GrillPro Grill Parts - Select From 131 Models](#)

----- Manual continues below -----



OWNER'S MANUAL

FOR USE WITH L.P. GAS (LIQUIFIED PETROLEUM GAS)
IN CANADA - PROPANE GAS



ANSI Z21.58/C.G.A. 1.6 - LATEST EDITION

CONTENTS

SAFETY.....2

INSTALLATION.....2

L.P. GAS CYLINDER.....3

OPD EQUIPPED CYLINDER.....4

HOSE & REGULATOR.....4

LEAK TESTING.....5

VENTURI TUBES.....5

LIGHTING.....6

OPERATION.....7

COOKING TECHNIQUES.....7

MAINTENANCE.....10

TROUBLE SHOOTING.....11

WARRANTY.....12

Please record your model and serial number here.

_____ Model number

_____ Serial number

_____ Date of purchase



READ ALL INSTRUCTIONS CAREFULLY BEFORE OPERATING YOUR GAS BARBECUE

RETAIN THESE INSTRUCTIONS FOR FUTURE REFERENCE

1-800-265-2150
info@omcbbq.com

Onward
MANUFACTURING COMPANY
SINCE 1906
585 KUMPF DRIVE LIMITED
WATERLOO, ONTARIO, CANADA
N2V 1K3

11420165 03/06

SAFETY

Your new OMC gas grill is a safe, convenient appliance when assembled and used properly. However, as with all gas-fired products, certain safeguards must be observed. **Failure to follow these safeguards may result in damage or injury.** If you have questions concerning assembly or operation, consult your dealer, gas appliance serviceman, or your gas company.

FOR YOUR SAFETY
<ul style="list-style-type: none">• If you smell gas:<ol style="list-style-type: none">1. Shut off gas to the appliance.2. Extinguish any open flame.3. Open lid.4. If odour continues, immediately call your gas supplier or your fire department.
DO NOT store or use gasoline, or other flammable vapours and liquids in the vicinity of this or any other appliance.
An LP cylinder not connected for use shall not be stored in the vicinity of this or any other appliance.

CAUTION

- FOR OUTDOOR USE ONLY.
- IF STORED INDOORS, DETACH AND LEAVE CYLINDER OUTDOORS.
- THIS APPLIANCE MUST NOT BE OPERATED UNATTENDED.
- SPECIAL CARE MUST BE TAKEN TO KEEP SMALL CHILDREN AWAY FROM HEATED SURFACES.

ELECTRICAL CAUTION

1. If any accessory is used on this appliance that requires an external electrical power source, the accessory when installed must be electrically grounded in accordance with local codes. In the absence of local codes, the following standards apply:
(CANADA) CSA C22.1 Canadian Electrical Code
and
(U.S.A.) ANSI/NFPA No. 70-Latest Edition
2. Do not cut or remove the grounding prong from the plug.
3. Keep the electrical supply cord and fuel supply hose away from any heated surface.

WARNING

Fuels used in gas or oil-fired appliances, and the products of combustion of such fuels, contain chemicals known to the State of California to cause cancer, birth defects or other reproductive harm.
"This warning is issued pursuant to California Health and Safety Code Sec. 25249.6"

INSTALLATION

1. This appliance must be installed in accordance with the local code, or in the absence of local codes, with either the **National Fuel Gas Code, ANSI Z223.1/NFPA 54,** or **CAN/CGA-B149.1 Natural Gas and Propane Installation Code.**
2. The appliance must be located away from combustible surfaces by at least 30"/76cm from each side, and 30"/76cm from the rear.



3. Do **not** operate this appliance under any overhead roof construction or foliage.
4. This appliance is for **OUTDOOR USE ONLY, DO NOT** operate in garage, shed, balcony or other such enclosed areas.
5. **DO NOT** restrict the flow of air to the appliance.
6. Keep the area surrounding the appliance free of combustible materials, gasoline, and all flammable liquids and vapours.
7. This appliance is not intended to be installed in, or on, recreational vehicles and/or boats.

LP GAS CYLINDER PLACEMENT

8. Cylinders must be installed according to assembly instructions using retainers provided.

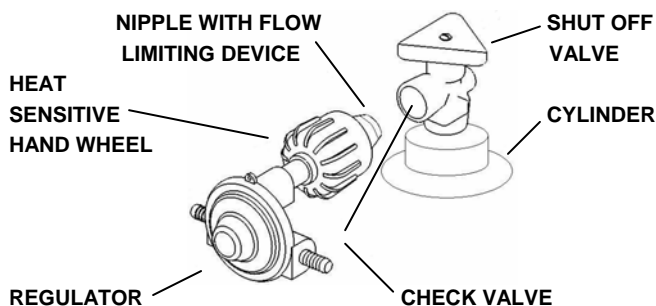
LP GAS CYLINDER

QCC[®]-1 QUICK CLOSING COUPLING

All models are designed to be used with an LP gas cylinder equipped with the new QCC[®]-1 Quick Closing Coupling system.

The QCC[®]-1 system incorporates new safety features required by the Canadian Standards Steering Committee and the American National Standards Institute (ANSI).

- Gas will not flow until a positive connection has been made.
- A thermal element will shut off the flow of gas between 240° and 300° F.
- When activated, a Flow Limiting Device will limit the flow of gas to 10 cubic feet per hour.



The LP Gas Cylinder is not included with the Gas Grill.

Be sure to purchase one with the QCC[®] valve. This valve is recognized by the external threads on the inlet port of the valve. QCC[®] equipped cylinders are available from your Gas Grill Dealer.

Any attempt to connect the regulator, by use of adapters or any other means, to any other valve could result in damage, fire or injury and may negate the important safety features designed into the QCC[®]-1 system.

SPECIFICATION:

1. All LP gas cylinders used with this appliance must be constructed and marked with the specifications for LP Gas Cylinders in accordance with the Canadian Transport Commission (CTC) for use in Canada, or the U.S. Department of Transport (DOT) for use in the U.S.A.
2. The LP gas cylinder used for this appliance must not have a capacity larger than 20 lb.(9 kg).
Approximately 18" (46cm) high
12" (31cm) diameter
3. All LP gas cylinders used with this appliance should be inspected at every filling and re qualified by a licensed service outlet at the expiry date (10 years), in accordance with the DOT (USA) and CTC (Canada) codes for LP Gas Cylinders.
4. All LP gas cylinders used with this appliance must be provided with a shutoff valve terminating in a cylinder valve outlet No. 510, specified in the Standard for Compressed Gas Cylinder Valve Outlet and Inlet Connection (USA) ANSI/CGA-V-1-1977 (Canada) CSA B96.

The cylinder supply system must be arranged for vapour withdrawal.

The cylinder must include a collar to protect the cylinder valve.

The cylinder valve must include a safety relief device having direct communication with the vapour space of the cylinder.

HANDLING:

1. Government regulations prohibit shipping full LP gas cylinders. You must take your new cylinder to a LP gas dealer for filling.
2. A filled LP gas cylinder is under very high pressure. Always handle carefully and transport in the **upright** position. Protect the valve from accidental damage.
3. Do not tip the LP gas cylinder while connecting it to the regulator. Fasten the cylinder securely during transport, use and storage.
4. If the cylinder is tipped after it is connected to the regulator, shut off the gas, disconnect the regulator and have it checked before using again.

STORAGE:

1. Store the LP gas cylinder outdoors in a well ventilated place.
2. Do not store the LP gas cylinder in direct sunlight, near a source of heat or combustion.
3. If you intend to store the grill indoors, disconnect and remove the LP gas cylinder first. Disconnected cylinders must have plugs installed and must not be stored in a building, garage or any other enclosed area.
4. Keep out of the reach of children.
5. When the LP gas cylinder is connected to the gas grill, the gas grill and LP gas cylinder must be stored outside in a well ventilated place.

OPERATION:

1. Never connect your gas grill to an LP gas cylinder without the regulator provided, and **NEVER TO AN UNREGULATED LP GAS SUPPLY**. The gas regulator supplied with the appliance must be used.
2. **Always** leak test the LP gas cylinder to regulator connection when connecting the LP gas cylinder to the appliance. See "Leak Testing".
3. **Do not** operate appliance if the smell of LP gas is present. Extinguish all flame and determine source of LP gas before proceeding. **Do not** ignite the appliance until the LP gas leak has been found and sealed.
4. **Always** shut off LP gas cylinder valve when the appliance is not in use.

OPD EQUIPPED CYLINDER

HOSE & REGULATOR

OVERFILL PREVENTION DEVICE

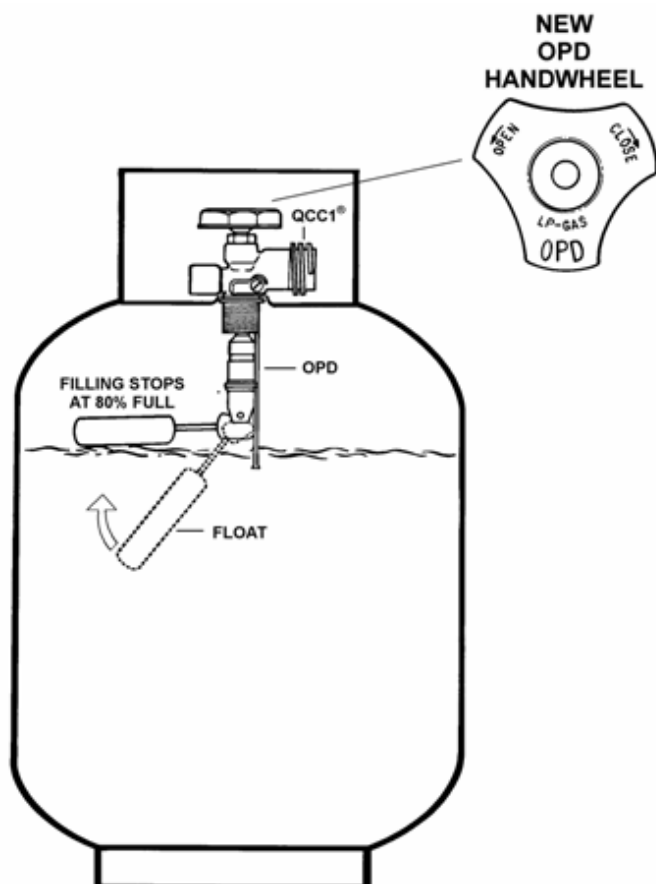
Effective January 1, 1998, the standard for outdoor gas appliances, ANSI Z21.58/CAN/CGA-1.6, requires that appliances are to be used with cylinders equipped with an Overfill Prevention Device (OPD).

The OPD is designed to reduce the potential for the overfilling of propane cylinders, thus reducing the possibility of relief valve discharges of raw propane. **The new OPD causes a slower purge/fill operation.** Some consumers have been advised by filling stations that these cylinders are "defective". **This is not a defect.** Some propane filling stations may not be aware of this new device and its effect on the purge/fill operation.

New OPDs coming onto the market have new technology that allows for much greater BTU outputs which will decrease the amount of time it takes to purge a cylinder.

Identification

To identify these cylinders, the new OPD handwheel has been standardized to the shape shown.

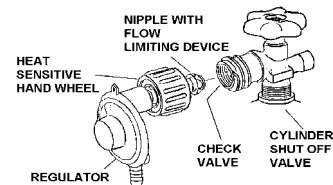


All models are equipped with a hose and regulator with a QCC®-1 Quick Closing Coupling.

1. The QCC® coupling contains a magnetic Flow Limiting Device which will limit the flow of gas should there be a leak between the regulator and the appliance valve. This device will activate if the cylinder valve is opened while the appliance valves are open. **Be sure the appliance valves are off before the cylinder valve is opened to prevent accidental activation.**
2. The QCC® coupling incorporates a heat sensitive hand wheel that will cause the back check module in the QCC® cylinder valve to close when exposed to temperatures between 240° and 300°F. Should this occur, do not attempt to reconnect the nut. Remove hose/regulator assembly and replace with a new one.
3. The pressure regulator is set at 11 inches WC (water column) and is for use with LP gas only. The hose and hose couplings comply with CGA Standard CAN 1.83. No modifications or substitutions should be attempted.
4. Protect the hose from dripping grease and **do not allow the hose to touch any hot surface, including the base casting of the barbecue.**
5. Inspect seal in the QCC® cylinder valve when replacing LP gas cylinder or once per year whichever is more frequent. Replace seal if there is any indication of cracks, creases, or abrasion.
6. Inspect hose before each use of the barbecue. If the hose is cracked, cut, abraded or damaged in any way, the appliance must **not** be operated.
7. For repair or replacement of hose/regulator assembly, contact your dealer or approved service centre.

Connection

1. Be sure cylinder valve and appliance valves are "off".



2. Place full LP gas cylinder on base mounting lip and secure top collar as per assembly instructions.
3. Center the nipple in the cylinder valve and hold in place. Using other hand, turn the hand wheel clockwise until there is a positive stop. **Do not use tools. Hand tighten only. When making the connection, hold the regulator in a straight line with the cylinder valve, so as not to cross thread the connection.**
4. Leak test connections. See "Leak Testing".
5. Refer to lighting instructions. **To avoid activating the Flow Limiting Device when lighting, open cylinder valve slowly with the appliance valves off.** If the Flow Limiting Device is accidentally activated, turn off cylinder valve and appliance valves, wait 10 seconds to allow the device to reset, open cylinder valve slowly, then open the appliance valve.

LEAK TESTING

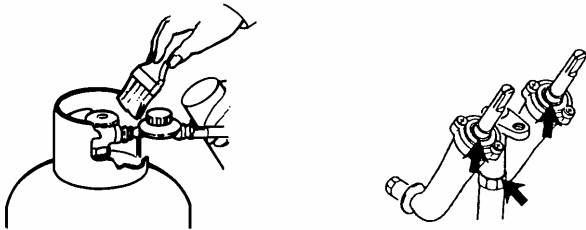
All factory-made connections have been thoroughly tested for gas leaks. However, shipping and handling may have loosened a gas fitting.

AS A SAFETY PRECAUTION:

- **TEST ALL FITTINGS FOR LEAKS BEFORE USING YOUR GAS BARBECUE.**
- **TEST THE CYLINDER VALVE FOR LEAKS EACH TIME THE CYLINDER IS FILLED.**
- **TEST FOR LEAKS EVERY TIME YOU CONNECT A GAS FITTING.**
- **DO NOT SMOKE!**
- **NEVER TEST FOR LEAKS WITH A LIGHTED MATCH OR OPEN FLAME.**
- **TEST FOR LEAKS OUTDOORS.**

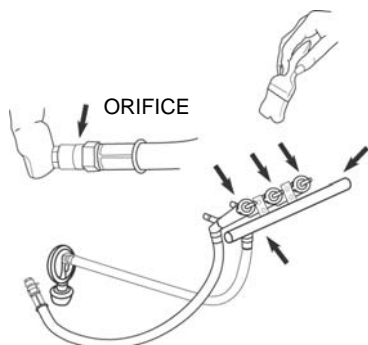
TO TEST FOR LEAKS:

1. Extinguish any open flame or cigarettes in the area.
2. Be sure that cylinder valve and appliance valves are "off".
3. Connect LP gas cylinder. See "Hose and Regulator".
4. Prepare a soap solution of one part water, one part liquid detergent.
5. With a full gas cylinder, open cylinder slowly.
6. Brush the soap solution on each connection.



If your barbecue is equipped with a side burner or rear burner:

- a. Place finger tip over the opening in the orifice at the end of hose.
- b. Turn "SIDE"/"REAR" control to "HI".
- c. Brush soap solution on each connection between orifice and control valve.
- d. Turn "SIDE"/"REAR" control to "OFF".

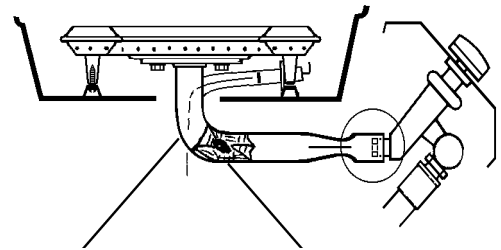


7. A leak is identified by a flow of bubbles from the area of the leak.
8. If a leak is detected, close the gas cylinder "shut-off" valve, tighten the connection and retest (Step 5).
9. If the leak persists, contact your barbecue dealer for assistance. Do not attempt to operate appliance if a leak is present.

VENTURI TUBES

- **KEEP VENTURI TUBES CLEAN.**
- **Blockages caused by spiders insects and nests can cause a flashback fire.**

Although the barbecue might still light, the backed up gas might also ignite and cause a fire around the venturi tubes at the control panel or side burner.



VENTURI TUBE SPIDER WEB

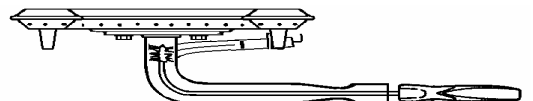
- **If a flashback fire occurs, turn off gas at the source immediately**

Inspect and clean the venturi tubes (main burner, side burner, rear burner) if any of the following symptoms occur:

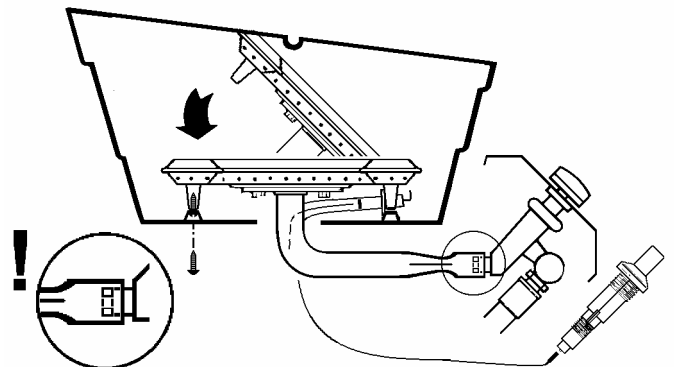
1. You smell gas.
2. Your barbecue does not reach temperature.
3. Your barbecue heats unevenly.
4. The burners make popping noises.

Inspecting & Cleaning Venturi Tubes

1. Turn off gas at the source. i.e. the gas cylinder or supply line for natural gas.
2. When barbecue is cool, remove burner fasteners from bottom, lift the burner from the barbecue housing.
3. Clean the venturi tubes with a pipe cleaner or venturi cleaning tool (Accessory #18270).

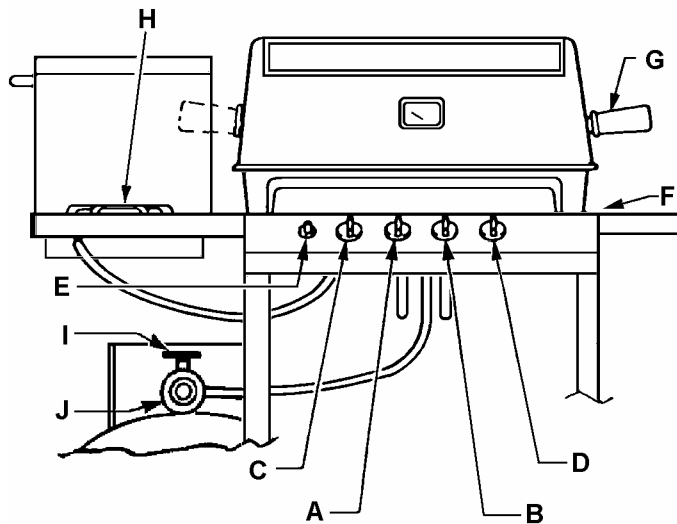


4. Lower the burner into position in the barbecue housing, making sure that the venturi tubes are correctly aligned and fitted on the orifices.



5. Secure burner with burner fasteners.

LIGHTING



- | | |
|-------------------------|-------------------------|
| A. LEFT BURNER CONTROL | F. MANUAL LIGHTING HOLE |
| B. RIGHT BURNER CONTROL | G. HANDLE |
| C. SIDE BURNER CONTROL | H. SIDE BURNER |
| D. REAR BURNER CONTROL | I. CYLINDER VALVE |
| E. IGNITOR | J. REGULATOR |

1. The appliance must be assembled as per the assembly instructions.
2. Check that your gas cylinder is full and properly connected to the regulator.
3. Check that there are no gas leaks in the gas supply system. See Leak Testing.
4. Check that the venturi tubes are properly located over the gas valve orifices.
5. Check that both Main Burner and Side Burner ignition wires are connected.
6. Read carefully all instructions contained on the information plate attached to the barbecue.
7. **WARNING: Open lid before lighting.**
8. Set control knobs to "OFF" and turn on the gas supply.

9a. For Main Burner:

Push and turn either main burner control knob to "Hi".
Push or rotate the ignitor knob 3 or 4 times or match light.

Burner should ignite within 5 seconds.
(Ignition may perform better with right control knob or both control knobs set at medium.)

Note: To light burner with a match follow steps 1 thru 8 above.

Insert lighted match through lighting hole located at the bottom right of the grill housing.

Push and turn right main burner control knob to "Hi". Burner should ignite within 5 seconds.

After the right burner is lit, push and turn left main burner control knob to "Hi". Left burner will ignite automatically.

9b. For Side Burner:

Push and turn side burner control knob to "Hi".
Push or rotate the ignitor knob 3 or 4 times.
Burner should ignite within 5 seconds.

Note: To light burner with a match follow steps 1 thru 8 above.

Apply lighted match to burner ports.
Push in the side burner control knob and turn to "Hi".
Burner should ignite within 5 seconds.

9c. For Rear Burner Rotisserie:

Warning - Do not operate the main burner simultaneously with the rear burner as this may result in a grease fire and/or damage to the barbecue.

Caution: Rear burner must be in place before operating the control knob.

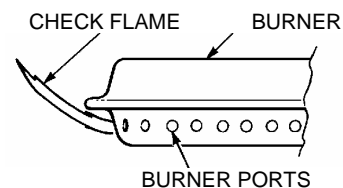
REMOVE THE WARMING RACK.

Follow steps 1 thru 8.

Place lighted match near rear burner ports.
Push and turn rear burner control knob to "Hi".
Burner should ignite within 5 seconds.

It is important to have lighted match near burner ports BEFORE turning the control knob.

10. Caution - Check your barbecue after lighting.



All the ports on the burner should show a 2.5cm flame on "Hi" setting.

If any of the following symptoms occur there is probably a blockage in the venturi tubes. Shut off gas at once and clean the venturi tubes. See "Venturi Tubes".

1. You smell gas.
2. If a flashback fire occurs.
3. Your barbecue heats unevenly.
4. The burners make popping noises.

IF BURNER DOES NOT IGNITE:

1. Push and turn control knob to "OFF". Wait 5 minutes, then try again with right control knob or both control knobs set at medium.
2. If any burner will not light, consult "Trouble Shooting Guide". If problem cannot be resolved, do not attempt to operate the appliance; contact your dealer or approved service centre.

SHUT DOWN

1. Turn off cylinder valve.
2. Turn control knobs to "OFF".

OPERATION

Burn-off. Before cooking on your gas barbecue for the first time, burn off the barbecue to rid it of any odors or foreign matter as follows:

Remove cooking grids and warming rack and wash in mild soap and water. Ignite the burner. Close the lid and operate the barbecue for **20 minutes** with the control knobs set at "**MEDIUM**". Turn the gas off at the source. Turn the control knobs to "Off". Let the appliance cool down, replace the grids. You are now ready to use the appliance.

Preheating. It is necessary to preheat the barbecue with the lid closed for a short time before cooking certain foods. Food that requires a HIGH cooking temperature needs a preheat period of six to ten minutes; food that requires a lower cooking temperature needs only a period of two to five minutes. There is no need to preheat for casseroles or other food that requires slow cooking.

Lid Position. The position of the lid during cooking is a matter of personal preference, but the barbecue cooks fastest, uses less gas, and controls the temperature best with the lid closed. A closed lid also imparts a smokier flavor to meat cooked directly on the grid, and is essential for smoke, rotisserie and convection cooking.

Vaporization Systems. OMC Gas Grills are designed for use with either Ceramic Briquets or Flav-R-Wave or Flav-R-Cast vaporization systems. Ceramic Briquets are only to be used with the Briquet Grate supplied or specified. They are not to be used with Flav-R-Wave or Flav-R-Cast. Only one layer is to be used. Place evenly.

COOKING TEMPERATURES

HIGH Setting. With the control knobs at HIGH, the surface temperature at the cooking grid is approximately 550° F (290° C) when the barbecue is warmed up. Use this setting only for fast warm-up, for searing steaks and chops, and for burning food residue from the cooking grids and briquets after the cookout is over. Rarely, if ever, do you use the HIGH setting for extended cooking.

Medium Setting. With the control knobs at MEDIUM, the temperature inside the barbecue is approximately 450° F (230°C) with the lid down. Use this setting for most grilling, roasting, and baking, and for cooking hamburgers and vegetables.

Low Setting. With the control knob at LOW, the temperature inside the barbecue is approximately 350° F (175° C). Use this setting for all smoke cooking, rotisserie cooking, and when cooking very lean food such as fish.

These temperatures are approximate only and vary with the outside temperature and the amount of wind.

When cooking by the convection or rotisserie method, use a meat thermometer for best results.

COOKING TECHNIQUES

PREPARATION:

1. Prepare food in advance to avoid delay and timing problems. If using marinade or spices, they should be applied before placing meat on the cooking grid.
2. Organize the area around the barbecue to include forks, tongs, oven mitts, sauces and seasonings, to allow you to stay in the vicinity of the barbecue while cooking.
3. Trim excess fat from meat to minimize the "flare-ups" that are caused by dripping grease.
4. To avoid the problem of food sticking to the cooking grid, coat the grids with vegetable oil or non-stick spray before lighting the burners.
5. Pre-heat the barbecue to the desired temperature with the cover closed, before starting to cook.
6. Vegetables are best done in aluminum foil with enough moisture to create steam. Cooking time for vegetables will be similar to baking or steaming on the electric range.
7. Check the gas supply before starting the barbecue.

MEAT THERMOMETER GUIDE:

BEEF/LAMB	RARE	55°C	(130°F)
BEEF/LAMB	MEDIUM	66°C	(150°F)
BEEF/LAMB	WELL DONE	71°C	(160°F)
VEAL	WELL DONE	65°C	(150°F)
PORK	WELL DONE	77°C	(170°F)
POULTRY	WELL DONE	77°C	(170°F)

GRILL COOKING

Grill cooking is the most popular form of barbecuing. The techniques are dictated by personal taste.

1. Hold the salt when cooking meats on the barbecue. The meat will stay juicier if the salt is added after cooking.
2. Don't baste meats until they are one-third to one-half cooked. Sauces with tomato, sugar, and oil burn easily and can produce unappetizing results if allowed to burn.
3. To prevent steaks from "drying out", use tongs rather than a fork and start on "HIGH" to sear the meat and seal the juices in. Reduce the heat when the meat is well browned. Generally, thicker cuts of meat will stay moist better on a barbecue.
4. To test when the meat is done, make a small cut at the thickest section or near the bone to check colour.
5. For best results, don't let the flames reach the food. If "flare-ups" occur, remove the food. This will eliminate the "burned taste", particularly for chicken and pork.

COOKING TECHNIQUES

GRILL COOKING

- Grilling with the cover closed on low heat will enhance the "smoked" flavour.
- After cooking, close the cover and turn burners to "HIGH" for approximately 10 minutes to burn off any residue on the grids and briquets.
- For additional heat adjustment use two position cooking grid to raise and lower cooking surface.

GRILL COOKING GUIDE:

MEAT	SIZE/WEIGHT	TEMP.	COOKING		TIME
			RARE		WELL DONE
HAMBURGER	PATTIES	LOW-MED	12	-	14 MIN
STEAKS	1" THICK	MED	8	-	12 MIN
STEAKS	1"-2" THICK	MED	16	-	24 MIN
LAMB CHOPS	2" THICK	LOW-MED	15	-	25 MIN
PORK CHOPS	1" THICK	LOW-MED	25	-	30 MIN
SPARE RIBS	WHOLE	LOW	40	-	60 MIN
CHICKEN WINGS	WHOLE	LOW	25	-	35 MIN
CHICKEN BREAST	WHOLE	LOW	30	-	45 MIN
FISH FILLET	1½" THICK	LOW-MED	15	-	20 MIN
LOBSTER (SPLIT)	WHOLE/TAILS	LOW	15	-	20 MIN

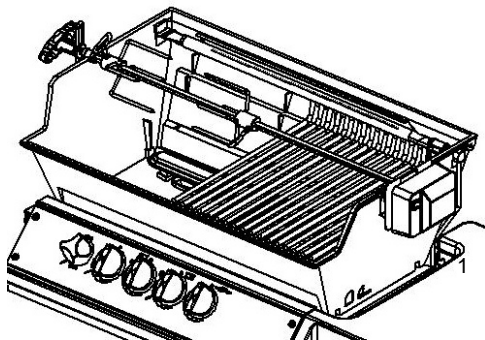
CONVECTION COOKING

This method is ideal for roasting large cuts of meat with or without a rotisserie.

- Set up the barbecue before lighting. Place drip pan on top of briquets, beneath centre of food. Put half to one inch of water in the drip pan. Fruit juice, wine or a marinade may also be added to enhance the flavour. Do not let the drip pan run dry.
- For roasting without a rotisserie, place meat in a roasting rack directly on the grids.
- In most cases convection cooking is best with the cover closed and the heat reduced.
- Turn barbecue off and allow it to cool before removing drip pan. The fat drippings are highly flammable and must be handled carefully to avoid injury.

ROTISSERIE COOKING

- The rotisserie can accommodate up to 7 kg (15 lb) of meat with the limiting factor of rotating clearance. For best results the meat should be centered on the centre line of the spit to eliminate an out-of-balance condition.
- The rotisserie can be used with a cooking grid if space allows. Place the meat closest to the handle on the spit to make handling easier.



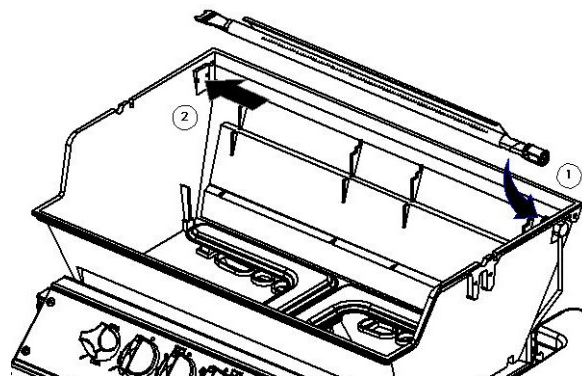
- Fasten the meat securely on the spit prior to placing it on the barbecue. For poultry, tie the wings and legs in tightly to avoid contact with drip pan.
- In most cases rotisserie cooking is best with the cover closed and the heat reduced.
- Prior to placing the meat on the barbecue, baste the meat with vegetable oil. This will enhance the browning on the outside of the meat.
- For most applications of rotisserie cooking, a drip pan is recommended to catch the drippings. Place drip pan on top of briquets, beneath centre of food. Put half to one inch of water in the drip pan. Fruit juice, wine or a marinade may also be added to enhance the flavour. Do not let the drip pan run dry. For cooking without a drip pan, close attention must be paid to avoid the risk of grease fire.
- Use oven mitts when handling the spit or working around the barbecue to avoid injury.
- Turn barbecue off and allow it to cool before removing drip pan. The fat drippings are highly flammable and must be handled carefully to avoid injury.

CONVECTION/ROTISSERIE COOKING GUIDE:

BEEF ROAST	3-6 LB	MED/LOW	2	-	4 HRS
BEEF ROAST	6-10 LB	MED/LOW	3	-	5 HRS
PORK ROAST	2-5 LB	MED/LOW	2	-	4 HRS
PORK ROAST	6-10 LB	MED/LOW	3	-	5 HRS
TURKEY OR CHICKEN	2-5 LB	MED/LOW	2	-	4 HRS
TURKEY OR CHICKEN	5-10 LB	MED/LOW	3	-	5 HRS

Rear Burner Rotisserie

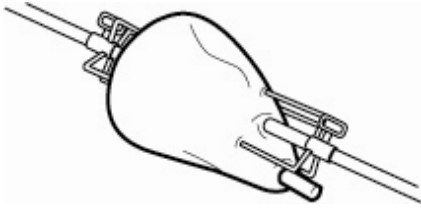
Certain models feature a rear burner for rotisserie cooking. The rear burner rotisserie method is the ultimate for cooking roasts and fowl. With the heat source located behind the food, there is no chance of a flare up caused by fat drippings to burn or spoil your dinner. Cook with confidence knowing you will get perfect results every time. A dish or drip pan placed below the spit will collect the juices for basting or for preparing a sauce.



The spring loaded rear burner may be easily removed when not in use.

COOKING TECHNIQUES

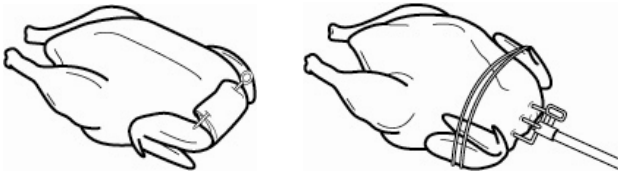
HOW TO USE A SPIT LEG OF LAMB



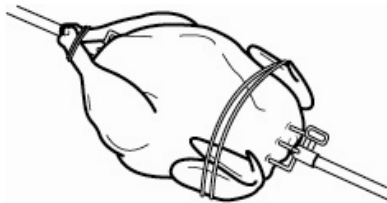
1. Have 3" of bone sawed from small end of leg. Leave meat around bone intact to form a flap. Put a spit fork on rod. Fold flap up and run rod through flap and leg. Put second fork on rod and insert forks in each end of leg. Test for balance. Tighten screws.

POULTRY

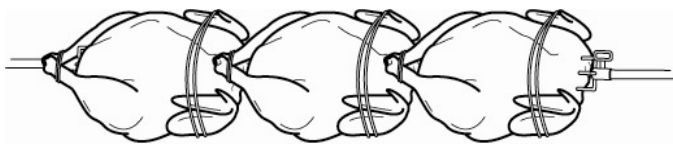
1. With breast down; bring neck skin up over cavity. Turn under edges of skin; skewer to back skin. Loop twine around skewer and tie. Turn breast side up; tie or skewer wings to body.



2. Put a spit fork on rod. Insert rod in neck skin parallel to backbone; bring it out just above tail. Put second fork on rod and insert forks in breast and tail. Test for balance. Tighten screws.
3. Tie tail to rod with twine. Cross legs; tie to tail.

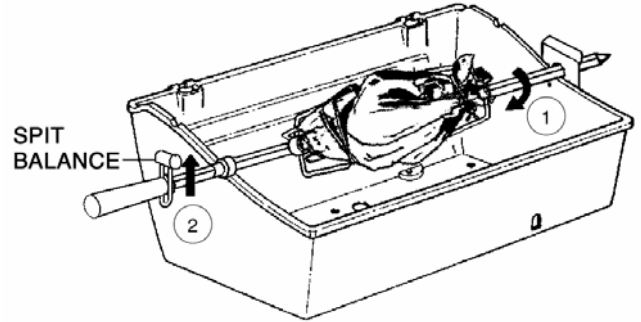


THREE CHICKENS ON A SPIT



1. Tie or skewer wings to body. Put a spit fork on rod. Dovetail chickens on rod. Loop twine around tails and legs; tie to rod. Put second fork on rod and insert forks in chicken. Tighten screws.

SPIT BALANCE



1. Loosen the rod handle to allow the balance to turn freely. Set the rotisserie rod in the slots of the barbecue casting. Let the heaviest side of the meat rotate to the bottom.
2. Adjust the balance to the top of the rod, opposite the heaviest side of the meat. Tighten the rod handle. Periodically, check to see if the meat turns smoothly while cooking. Adjust the balancer as necessary.

HOW TO USE A BARBECUE THERMOMETER

1. The accurate way to determine when a large piece of meat is done is to use a barbecue thermometer. Insert the thermometer at an angle so the sturdy pointed metal tip rests in the center of the thickest part of the meat. **Be careful that it doesn't touch the spit or the bone, and that the point is not resting in fat.**
2. Leave the thermometer in place while the meat revolves. When the thermometer reaches the desired temperature the meat is done. Add your sauces during the last few minutes of cooking time, then take the meat off spit and let the meat stand about 15 minutes to firm up. Carve and serve.

For poultry: insert the tip of the thermometer in the thickest part of the thigh close to the body.



For ham or roasts: insert the tip of the thermometer in the center of the heaviest section of the meat.



MAINTENANCE

PERIODIC MAINTENANCE

After you have finished, prepare for the next cookout by burning off any residue of food from the grid and briquets/Flav-R-Wave/Flav-R-Cast in the following manner:

Cooking Grids

Remove all food from the grids, turn the control knobs to "HIGH", and operate the barbecue with the lid closed for 5 to 10 minutes or until smoking stops. Turn the gas cylinder valve to OFF, then the control knobs to OFF.

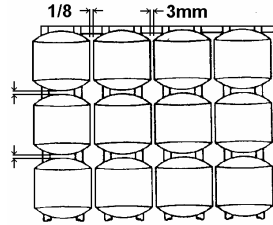
Use a long-handled **brass** wire brush to clean the grids. Remember that the barbecue is hot, so wear kitchen mitts or use a pot-holder to handle the brush.

You do not have to wash the grids and upper cooking rack after each cookout, but if you wish to do so, use a mild soap and water solution, then rinse them thoroughly. Never use a commercial oven cleaner.

Porcelain Coating - Most OMC cooking grids are coated with a durable porcelain enamel to assist in cleaning and reduce the tendency of food sticking to the grid. Some chipping may occur if mishandled. This will not affect the use or performance of the grids. If some rust appears, remove the rust with a scrub pad and coat the grid with cooking oil.

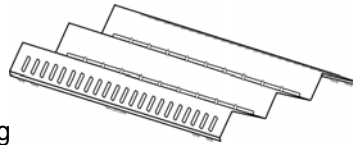
Ceramic Briquets

If any residue begins to accumulate on the briquets, remove the cooking grids and turn the briquets over prior to lighting the barbecue. Be sure to place briquets evenly in one layer. The underside of the briquets will self clean while preheating the barbecue.



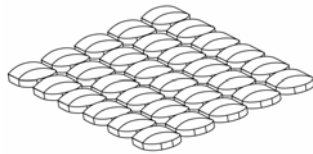
Flav-R-Wave

If any residue begins to accumulate on the Flav-R-Wave, remove cooking grids and scrape excess residue with back of barbecue brush.



Flav-R-Cast

Excess food residue may be removed using a scrub pad or brass grill brush. Coat the Flav-R-Cast with cooking oil when not using the barbecue for an extended period. The Flav-R-Cast is coated with a matte porcelain finish to assist in cleaning and help prevent rust. Some chipping may occur if mishandled. This will not affect the use or performance of the Flav-R-Cast. If rust appears, remove the rust with a scrub pad and coat with cooking oil.



Grease Cup Holder



The grease cup holder is located on the bottom of the cooking oven immediately below the hole through which grease will drain. The grease cup is not provided. The clip, however, has been designed to hold a standard soup can or jar. Simply snap the can or jar into place. The grease cup should be checked and replaced regularly to prevent grease from overflowing onto your patio.

General Cleaning

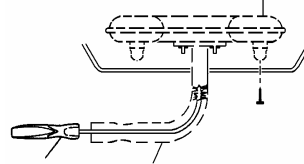
When the barbecue is cold, remove the grids. If equipped with briquets, turn over. Cover three quarters of the briquets/Flav-R-Wave/Flav-R-Cast with aluminum foil, shiny side down. Ignite the burners; operate the barbecue on HIGH with the lid closed for 10 minutes or until smoking stops. Turn the gas cylinder valve to OFF, turn the control knobs to OFF. When the barbecue is cool, remove the foil, and residue from briquets/Flav-R-Wave/Flav-R-Cast with a vacuum. Remove briquets and grate or Flav-R-Wave/Flav-R-Cast, then clean the interior of the bottom oven by scrapping the sides and vacuuming.

ANNUAL MAINTENANCE

To ensure safe and efficient performance, the following components should be inspected and cleaned at least once per year or after any period of storage exceeding one month.

Burner

Remove burner and inspect for cracks and deterioration.



Clean venturi tubes using a pipe cleaner or venturi brush to eliminate any blockages caused by spiders or insects. See "Venturi Tubes".

While burner is removed, clean interior of bottom oven by scrapping the sides and vacuuming.

Hose

Inspect and replace if necessary. See "Hose and Regulator".

Perma-Mold Shelves

Wash with soap and water. To enhance luster, coat lightly with cooking oil.

Exterior Finish

If white oxidation spots appear, wash the outside of the housing with a mild soap and water solution. Rinse the surfaces thoroughly, then wipe them with a cloth dipped in cooking oil to restore the luster.

For repair of paint scratches and scuffs, use a good quality HIGH temperature (600°F) spray paint for touch-up.

Replacement Parts

If a problem is found with the regulator, hose, burner, or control valves, **do not** attempt repair. See your dealer, approved service centre, or contact the factory for repairs or replacement parts. To ensure optimum performance, use only original OMC replacement parts.

Leak Test

After reconnecting gas cylinder, be sure to check for leaks. See "Leak Testing"

TROUBLE SHOOTING

PROBLEM	POSSIBLE CAUSE	CORRECTIVE ACTION
SMELL OF GAS	SHUT OFF LP GAS CYLINDER VALVE AT ONCE. DO NOT USE THE APPLIANCE UNTIL LEAK IS SEALED.	
Leak detected at cylinder, regulator or other connection.	<ol style="list-style-type: none"> 1. Regulator fitting loose. 2. Gas leak in hose/regulator or control valves. 	<ol style="list-style-type: none"> 1. Tighten fitting and "Leak Test". 2. See authorized service centre.
Flame flashback beneath control panel.	<ol style="list-style-type: none"> 1. Venturi blocked. 	<ol style="list-style-type: none"> 1. Remove burner, clean venturi. See "Venturi Tubes".
Burner will not light.	<ol style="list-style-type: none"> 1. Out of LP Gas. 2. Ignitor wire(s) not connected. 3. Ignitor electrode misaligned on burner. 4. Ignitor malfunction. 5. Regulator is not fully connected to the cylinder valve. 6. Burner valve left open while cylinder valve was opened causing excess flow device to activate. 7. A leak in the system causing the excess flow device to activate. 8. Venturi blocked. 9. Venturi not aligned with valve orifice. 10. Orifice blocked. 11. Hose is twisted. 	<ol style="list-style-type: none"> 1. Refill LP Gas Cylinder. 2. Connect both main burner and side burner electrode wires. 3. Realign electrode. 4. Use "Manual Lighting" Procedure. 5. Tighten the regulator hand wheel. 6. Close burner and cylinder valves. Open cylinder valve slowly, then open burner valve to light. 7. Leak test connections to determine loose fitting. Tighten fitting. Leak test system. 8. Remove burner, clean venturi. See "Venturi Tubes". 9. Realign venturi to orifice. See "Venturi Tubes". 10. Remove burner, clean orifice with a pin or fine wire. Do not attempt to drill orifice. 11. Straighten hose. Keep away from bottom casting.
Decreasing heat, "popping sound".	<ol style="list-style-type: none"> 1. Out of LP Gas. 2. Venturi blocked. 	<ol style="list-style-type: none"> 1. Refill LP Gas Cylinder. 2. Remove burner, clean venturi. See "Venturi Tubes".
Hot spots on cooking surface.	<ol style="list-style-type: none"> 1. Briquets not evenly distributed. 2. Venturi blocked. 	<ol style="list-style-type: none"> 1. Spread briquets evenly on briquet grate - one layer only. 2. Remove burner, clean venturi. See "Venturi Tubes".
"Flare-ups" or grease fires.	<ol style="list-style-type: none"> 1. Excessive grease buildup on briquets. 2. Excessive heat. 	<ol style="list-style-type: none"> 1. Clean briquets. See "Maintenance". 2. Turn burner controls to a lower setting or raise cooking grid to upper position (2-position grids only).
Humming noise from regulator.	<ol style="list-style-type: none"> 1. Cylinder valve turned on too quickly. 	<ol style="list-style-type: none"> 1. Turn cylinder valve on slowly.
Yellow Flame.	<ol style="list-style-type: none"> 1. Some yellow flame is normal. If it becomes excessive the venturi may be blocked. 2. Burner ports blocked. 	<ol style="list-style-type: none"> 1. Remove burner, clean venturi. See "Venturi Tubes". 2. Remove burner & clean with soft bristle brush.
Inside of lid appears to be peeling.	<ol style="list-style-type: none"> 1. This is a build up of grease not faulty paint. 	<ol style="list-style-type: none"> 1. Clean with stiff bristle brush or scraper.

WARRANTY

The OMC Warranty is effective from date of purchase and is limited to the repair or replacement of parts at no charge which prove to be defective under normal domestic use.

In Canada replacement is FOB Factory.

In all other countries replacement is FOB OMC Distributor. (consult your Dealer for name of OMC Distributor).

All other costs are the responsibility of the owner.

This warranty is extended only to the original purchaser as indicated on the warranty registration and applies only to products sold at retail and only when used in country where purchased. (Different types of gas used in different countries require appropriate valves, orifices and regulators.)

WHAT IS COVERED

Oven castings	Excluding Paint	Lifetime
Burners	Super 8 Burners	5 years
	Dual H Burners	5 years
	Oval & Tube Type	3 years
All Remaining Parts	Excluding Tank	2 years

WHAT IS NOT COVERED

Any failures or operating difficulties due to accident, abuse, misuse, alteration, misapplication, vandalism, improper installation or improper maintenance or service, or failure to perform normal and routine maintenance, including but not limited to damage caused by insects within the burner tubes, as set out in the owner's manual.

Deterioration or damage due to severe weather conditions such as hail, hurricanes, earthquakes or tornadoes, discoloration due to exposure to chemicals either directly or in the atmosphere.

Shipping or transportation costs.

Removal or re-installation costs.

Labor costs for installation and repair.

Cost of service calls.

Liability for indirect, or consequential damages.

REPLACEMENT PARTS

"Genuine OMC Gas Barbecue Parts" must always be used for replacement. Use of any other parts will automatically nullify the above warranty.

WARRANTY CLAIMS

All warranty is handled directly by OMC. Parts must be returned to OMC Warranty Department, shipping charges prepaid, accompanied by Model #, Serial #, and if your grill is not registered, proof of purchase (copy of sales slip or invoice). If inspection confirms the defect, OMC will repair or replace such part in accordance with the terms of the warranty.

On receipt of letter or fax (not by phone) OMC may at its option not require part or parts to be returned.

Name		Model #	
Address		Date of purchase	
City, State/Province		Name of dealer	
Postal/Zip Code		Part # (see assembly manual)	
Phone #			
Fax #			
Problem			

NON CANADIAN RESIDENTS

The above warranty is administered by the OMC distributor in your country. Contact your dealer for the name of your OMC distributor.

BURNERS

The life of OMC burners (made of stainless steel) depends almost entirely on proper use, cleaning and maintenance. This warranty does not cover failure due to improper use and maintenance. In this event the warranty grants the owner the option of buying a new burner at the following discounts from current price. During 3rd year - 50%, 4th year - 40%, 5th year - 25%. Shipping and handling charges are the responsibility of the owner.

PORCELAIN COOKING GRIDS

Most OMC cooking grids are coated with a durable porcelain enamel to assist in cleaning and reduce the tendency of food from sticking to the grid. Porcelain is essentially a glass coating. Some chipping may occur if mishandled. This will not affect the use or performance of the grids. The grids are not warranted against chipping or rusting due to mishandling. If some rust appears, remove the rust with a scrub pad and coat the grid with cooking oil.

VAPORIZATION SYSTEMS

OMC Gas Grills are designed for use with either Ceramic Briquets or Flav-R-Wave or Flav-R-Cast vaporization systems. Use of any other product will nullify the warranty.

BRIQUETS

Ceramic Briquets are only to be used with the Briquet Grate supplied or specified. They are not to be used with Flav-R-Wave or Flav-R-Cast. Only one layer is to be used. Place evenly.

FLAV-R-WAVE / FLAV-R-CAST

The Flav-R-Wave or Flav-R-Cast is warranted against defects in materials or rust through for a period of 2 years from date of purchase. Surface rust will not affect the performance of the Flav-R-Wave or Flav-R-Cast and is not covered by the warranty. If rust appears, remove the rust with a scrub pad and coat with cooking oil.

LP GAS CYLINDER

OMC does not manufacture LP Gas Cylinders. The LP Gas Cylinder manufacturer is responsible for the materials, workmanship and performance of the cylinder. If the cylinder has a defect, malfunctions, or you have a question regarding the cylinder, contact your dealer or the cylinder manufacturer.

GARANTIE

La durée des brûleurs OMC (fabriqué en acier inoxydable) dépend de l'entretien et de la maintenance de ce dernier. Cette garantie ne couvre aucune panne ou difficulté de fonctionnement due à un mauvais usage ou à un entretien anormal. Dans ce cas, cette garantie accordée au propriétaire l'option d'acheter un nouveau brûleur durant la 1^{ère} à la 3^{ème} année - 50%, 4^{ème} année - 40%, 5^{ème} année - 25% en respectant le prix courant.

GRILLES DE CUISSON DE PORCELAIN

La plupart des grilles de cuisson OMC sont couvertes d'un émail solide de porcelaine pour faciliter le nettoyage et réduire les chances que la nourriture colle à la grille. La porcelaine est essentiellement une couche de vitre. On risque d'ébrécher la couche si manipulée sans précaution. Ceci n'affectera pas l'emploi ou le fonctionnement des grilles. Les grilles ne sont pas garanties contre les écaillures ou la rouille causées par l'huile de cuisson sur la grille.

BRIQUETTES

Les grilles à gaz OMC ont été conçues pour être utilisées avec les briquettes en céramique OMC ou roches de lave. Placées également sur une rangée. Cette garantie sera annulée si tout autre produit est utilisé.

FLAV-R-CAST (Certaines Modèles)

La plaque en fonte est garantie contre les défauts de matériau ou la détérioration par la rouille pour une période de deux ans, à partir de la date d'achat. La rouille de surface n'affectera pas la performance de la plaque en fonte et n'est par couverte par la garantie. Si de la rouille apparaît, enlevez-la avec un tampon à récurer et passer une couche de cuisson sur la plaque chauffante.

PIÈCES DE REMPLACEMENT

Toujours utiliser "les pièces de grilles à gaz authentiques OMC" pour remplacement. Cette garantie sera annulée si d'autres pièces sont utilisées.

LA GARANTIE INCLUS

Cette garantie s'applique uniquement à l'acheteur initial indiqué sur l'enregistrement de la garantie. Cette garantie ne s'applique qu'aux produits vendus au détail si le produit est utilisé dans le pays où il a été acheté. (Due aux différences de gaz d'un pays à l'autre, les soupapes, les orifices et le régulateur peuvent varier).

Tout autre coût sera la responsabilité du propriétaire. Dans tout autre pays, le remplacement sera fait FAB du distributeur OMC de votre région. (communiquer avec votre distributeur OMC).

Au Canada le remplacement sera fait FAB Kitchener. qui l'accompagne, sous usage domestique seulement. est limitée aux réparations et remplacements de pièces déficientes, s'il est assemblé et utilisé selon les instructions

LA GARANTIE NE COUVRE PAS

Boîtier Piédestal et tablettes en acier inoxydable	Garantie à Vie (la peinture exclus)
Brûleurs	Super 8 et double "H" ovale et tube
Toutes autres pièces et peinture	Réservoir à gaz n'est pas inclus
	2 ans
	3 ans
	5 ans

Cette garantie ne couvre pas les échecs ou les difficultés de fonctionnement causés par accidents, abus, mauvais usage, modifications, mauvaise application, vandalisme, installation incorrecte, entretien et service incorrectes, ou manque d'entretien normal et habituel, y compris mais non-limité aux dommages causés par les insectes dans les tubes des brûleurs, tel qu'indiqué dans le manuel de l'utilisateur. La détérioration ou dommages causés par les tempêtes, y compris la grêle, les ouragans, les tremblements de terre ou les tornades, et la décoloration causée par l'exposition aux produits chimiques directes ou dans l'atmosphère, ne sont pas couverts sous cette garantie. Les frais de transport. Les coûts de suppression ou de réinstallation. Le coût de main d'œuvre pour installation ou réparations. Les frais de service. Responsabilité pour les dommages indirect ou par conséquence.

RÉCLAMATION DE GARANTIE

Toutes garanties sont achevées directement par OMC. Les pièces doivent être retournées, port-payé et accompagnées de la preuve d'achat, du numéro de modèle et de série, au département de service OMC. Si, après inspection, la pièce est jugée défectueuse, OMC remplacera en accord avec les termes de garantie lister ci-dessus. Dans le cas d'une lettre ou d'un fax, OMC décidera si la ou les pièces doivent être retournées. La réparation ou remplacement des pièces qui s'avèrent défectueuses sont sous la responsabilité de OMC sous cette garantie.

Nom	N° modèle	Adresse	Date d'achat	Ville, État/Province	Code postal	N° pièce (voir manuel d'assemblage)	N° téléphone	N° télécopieur	Problème
-----	-----------	---------	--------------	----------------------	-------------	-------------------------------------	--------------	----------------	----------

RÉSIDENTS NON-CANADIENS

La garantie ci-dessus est administrée par le distributeur OMC dans votre pays. Communiquer avec votre détaillant pour le nom de votre distributeur OMC.

LOCALISATION DE PANNES

PROBLÈME	CAUSE POSSIBLE	ACTION CORRECTIVE
ODEUR DE LIQUIDE	FERMER IMMÉDIATEMENT LA SOUPAPE DU RÉSERVOIR DE GAZ LP	NE PAS UTILISER L'APPAREIL JUSQU'À CE QUE LA FUIITE SOIT SCÉLÉE
Fuite détectée dans le réservoir, le régulateur ou autre connexion.	1. Raccord du régulateur lâche. 2. Fuite de gaz dans le tuyau, le régulateur ou dans la soupape.	1. Serrer de nouveau et vérifier s'il y a des fuites. 2. Voir centre de service autorisé.
Il y a une flamme causée par un flux sous la console de contrôle.	1. Venturi bloqué.	1. Enlever le brûleur, nettoyer le venturi, voir "nettoyage & entretien".
Les brûleurs ne s'allument pas.	1. Manque de gaz LP. 2. Fils des allumeurs non-connectés. 3. L'électrode de l'allumeur mal aligné sur le brûleur. 4. Fonctionnement défectueux de l'allumeur. 5. Le régulateur n'est pas complètement connecté à la soupape du réservoir. 6. La soupape du brûleur est ouverte en même temps que la soupape du réservoir, activant l'appareil pour excès de circulation. 7. Une fuite dans le système, activant l'appareil pour excès de circulation. 8. Venturi bloqué. 9. Venturi non-aligné avec l'orifice de la soupape. 10. Orifice bloqué. 11. Tuyau est tordu.	1. Remplir de nouveau le réservoir de gaz LP. 2. Connecter les électrodes du brûleur principal et latéral. 3. Aligner de nouveau l'électrode. Voir instructions pour l'assemblage. 4. Suivre la procédure pour "l'allumage manuel". Voir votre marchand ou centre de service pour les pièces de rechange. 5. Serrer la roue du régulateur. 6. Fermer les soupapes des brûleurs et du réservoir. Ouvrir la soupape du réservoir lentement, puis ouvrir la soupape du brûleur pour allumer. 7. Vérifier les fuites des connexions pour déterminer si elles ne sont pas ajustées. Réserver les installations. Vérifier les fuites du système. 8. Enlever le brûleur, nettoyer le tube venturi, voir "nettoyage & entretien". 9. Aligner de nouveau le venturi à l'orifice. Voir "Tubes Venturi". 10. On peut nettoyer l'orifice avec une aiguille ou un fil fin. Ne pas essayer de percer l'orifice. 11. Redresser le tuyau. Eloigner du fond du foyer.
Chaleur diminuée, "son pétillant".	1. Manque de gaz LP. 2. Venturi bloqué.	1. Remplir de nouveau le réservoir de gaz LP. 2. Enlever le brûleur, nettoyer le tube venturi, voir "nettoyage & entretien".
"Sections chaudes" sur la surface de cuisson.	1. Briques ne sont pas distribuées uniformément. 2. Venturi bloqué.	1. Étendre les briquettes afin d'éliminer les "trous" et "vides" sur la grille des briquettes-sur une rangée. 2. Enlever le brûleur, nettoyer le tube venturi, voir "nettoyage & entretien".
"Flambées soudaines" (ou) feu de graisse.	1. Accumulation excessive de graisse. 2. Chaleur excessive.	1. Brûler la graisse excessive voir "Entretien". 2. Tourner le contrôle du brûleur à un réglage plus bas ou lever la grille de cuisson à la position supérieure (grilles à deux positions seulement).
Vrombissement du régulateur.	1. Soupape de réservoir tournée trop rapidement.	1. Tourner la soupape du réservoir lentement.
Flamme jaune.	1. Un peu de flamme jaune est normal. Si ça devient excessif, il est possible que le venturi soit bloqué. 2. Orifice du brûleur bloqué.	1. Enlever le brûleur, nettoyer le venturi. Voir "Tubes Venturi". 2. Enlever le brûleur et nettoyer avec une brosse à poil doux.
Intérieur du couvercle semble peler	1. Cela est une accumulation de graisse, et non pas une déflectuosité de la peinture.	1. Nettoyer avec une brosse rigide ou un grattoir.

ENTRETIEN PÉRIODIQUE

Après la cuisson, préparer pour votre prochaine grillade en brûlant les restes de nourriture d'après la grille et les briquettes/Flav-R-Wave/Flav-R-Cast de la façon suivante.

Grilles pour cuisson

Enlever toute la nourriture des grilles, tourner les boutons de réglage à "HIGH" et faire fonctionner le barbecue avec le couvercle fermé pendant 5 à 10 minutes, ou jusqu'à ce qu'il n'y ait plus de fumée. Tourner la soupape de réservoir de gaz à "OFF", puis après, les boutons de réglage à "OFF".

Utiliser une brosse de laiton avec manche long pour nettoyer les grilles. Ne pas oublier que le grill est chaud, alors porter des mitaines à four pour tenir la brosse.

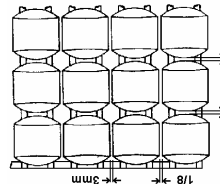
Il n'est pas nécessaire de laver les grilles après chaque grillade, mais si vous le voulez, utiliser une solution d'eau et de savon doux, puis rincez-les bien. Ne jamais utiliser de nettoyeur commercial pour fours.

Couche De Porcelaine

La plupart des grilles pour cuisson OMC sont couvertes d'un émail solide de porcelaine pour faciliter le nettoyage et réduire les chances que la nourriture colle à la grille. On risque d'endommager la couche si manipulée sans précaution. Ceci n'aura pas d'effet sur l'emploi ou le fonctionnement des grilles. Si de la rouille apparaît, enlevez-la avec un tampon à récurer et passer une couche d'huile de cuisson sur la grille.

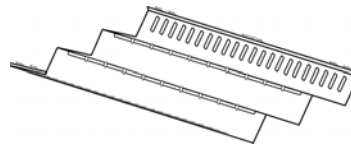
Briquettes en céramique

Si les restes commencent à s'accumuler sur les briquettes, enlever les grilles et retourner les briquettes avant d'allumer le grill. Le dessous se nettoiera automatiquement pendant qu'on préchauffe le grill. Placer les briquettes également sur une rangée.



Flav-R-Wave

Si il ya un peu de résidu Flav-R-Wave, enlever les grilles de cuisson et gratter l'excès de résidu avec l'arrière de votre brosse à barbecue.



Flav-R-Cast

Les résidus excessifs peuvent être enlevés au moyen d'un grattoir de barbecue ou d'une brosse en cuivre. Appliquez une couche d'huile végétale, si vous n'utilisez pas le barbecue pendant une longue période. La plaque en fonte est recouverte d'un fini en porcelaine mate, pour faciliter le nettoyage et pour prévenir la rouille. Parfois, vous pouvez remarquer des écorchures. Ceci n'affecte pas la performance de la plaque en fonte. Si de la rouille apparaît, enlever la avec un grattoir de barbecue et appliquer une couche d'huile végétale.

Porte-contenant à graisse

Le porte-contenant à graisse est situé sous le foyer, juste en-dehors de l'orifice où la graisse s'écoule. Le contenant à graisse n'est pas fourni. Cependant le contenant a été conçu pour tenir un bocal ou une canette à soupe. Il suffit d'enclencher ce contenant en place. Le contenant à graisse doit être vérifié et remplacé périodiquement pour empêcher la graisse de déborder sur votre terrasse.



Nettoyage Générale

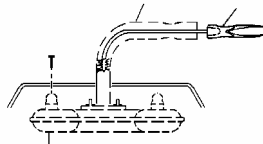
Retirez les grilles lorsque le barbecue est équipé de briquettes, tournez-les à l'envers. Couvrir les briquettes/Flav-R-Wave/Flav-R-Cast, au trois quarts avec du papier d'aluminium, le côté luisant vers l'intérieur. Allumez les brûleurs, avec le couvercle fermé, gardez le barbecue à haute température pour 10 minutes, ou jusqu'à ce qu'il arrête de faire de la fumée. Fermez la soupape de la bonbonne, ensuite les boutons de contrôles. Lorsque le barbecue est refroidi, enlevez le papier d'aluminium, la grille de briquette, ou le Flav-R-Wave/Flav-R-Cast. Nettoyez l'intérieur du bocal de fond du barbecue en brossant les côtés et ensuite finir avec un aspirateur.

ENTRETIEN ANNUEL

Pour assurer une performance efficace et sécuritaire, cet appareil doit être inspecté et nettoyé au moins une fois par année ou après une période d'entreposage dépassant un mois.

Brûleur

Enlever le brûleur et examiner pour fissures ou détérioration. Nettoyer les tubes venturi à l'aide d'un cure-pipe ou d'une brosse venturi pour éliminer les obstructions causées par les "Tubes Venturi".



Pendant que le brûleur est enlevé, nettoyer l'intérieur du fond du foyer. Les dépôts durs peuvent être enlevés avec une brosse métallique et les surfaces lavées avec du savon et de l'eau. Examiner et remplacer si nécessaire. Voir "Tuyau et Régulateur".

Tablettes modulaire

Laver avec de l'eau et du savon. Légèrement plassez une couche de l'huile de cuisson pour rehausser la lustre.

Finis extérieur

En cas d'apparition de taches blanches de calcium, laver l'extérieur du bocal à l'eau savonneuse douce. Bien rincer les surfaces et essuyer avec un chiffon imbibé d'huile de cuisson pour leur redonner leur lustre.

Pièces de rechange

Si un problème se présente avec le régulateur, le tuyau, le brûleur, ou les soupapes du contrôle, **ne pas essayer** de les réparer. Pour la réparation ou pièces de rechange voir votre marchand ou, un Centre de service autorisé ou contacter l'usine.

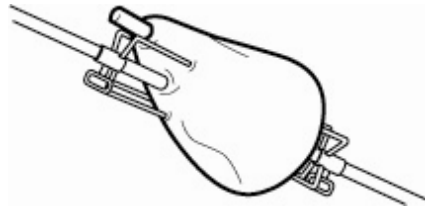
Contrôle des fuites

Après avoir branché le réservoir, faite sûre de vérifier pour des fuites. Voir contrôle des fuites.

TECHNIQUES DE CUISSON

COMMENT UTILISER UNE BROCHE

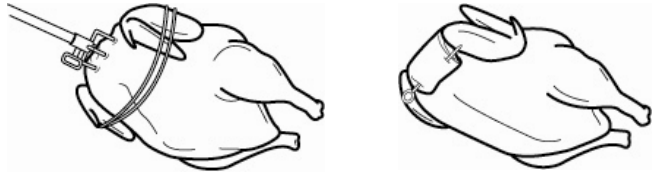
GIGOT D'AGNEAU



1. Faire enlever à la scie 3 pouces d'os de la petite partie du gigot. Laisser la viande autour de l'os intacte pour former un rabat. Mettre la broche sur la tige. Replier le rabat par dessus et filer la tige à travers le rabat et le gigot. Mettre une deuxième broche sur la tige et insérer les broches dans chaque bout du gigot. Tester pour l'équilibre. Serrer les vis.

VOLAILLE

1. Avec la poitrine face en bas; couvrir la cavité avec la peau du cou. Rentrer les bords de peau; embrocher à la peau du dos. Enrouler une ficelle autour de la broche et attacher. Remonter la poitrine; attacher ou embrocher les ailes au corps.



2. Mettre une broche sur la tige. Insérer la tige dans la peau du cou, parallèle à la colonne vertébrale; Sortez-la juste au-dessus de la queue. Mettre une deuxième broche sur la tige et insérer les broches dans la poitrine et la queue. Tester pour l'équilibre. Serrer les vis.
3. Attacher la queue avec une ficelle. Croiser les pattes; attacher à la queue.

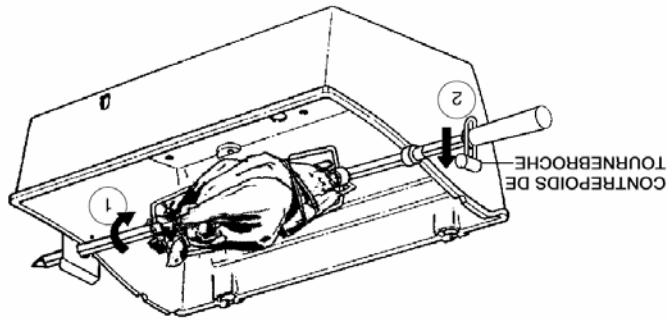
TROIS POULETS SUR UNE BROCHE



1. Attacher ou embrocher les ailes au corps. Mettre une broche sur la tige. Raccorder les poulets sur la tige. Enrouler une ficelle autour des queues et des pattes; attacher à la tige. Mettre la deuxième broche sur la tige et insérer les broches dans le poulet. Serrer les vis.

COMMENT UTILISER UN THERMOMETRE DE BARBECUE

1. Déserrer la poignée du tournebroche pour que le contrepois tourne facilement. Placer le tournebroche dans les coches du boîtier.
2. Ajuster le contrepois sur le côté le moins lourd du tournebroche. Serrer la poignée. Vérifier, périodiquement, que la pièce de viande tourne régulièrement. Ajuster le contrepois si nécessaire.

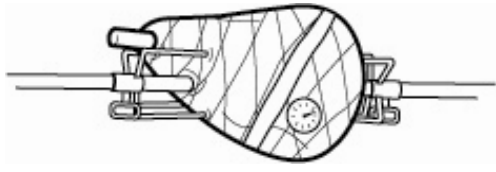


COMMENT UTILISER UN THERMOMETRE

1. La seule façon de vérifier quand un gros morceau de viande est cuit est d'utiliser un thermomètre de barbecue. Insérez le thermomètre à un angle dans la partie la plus épaisse de la viande. **Vérifiez que le thermomètre ne touche pas la tige ou un os, et qu'il n'est pas dans la graisse.**
2. Laisser le thermomètre en place pendant que la viande tourne. Quand le thermomètre atteint la température désirée, la viande est cuite. Ajouter vos sauces durant la dernière minute de cuisson. Elever la viande du tournebroche et attendez 15 minutes pour que la viande soit plus ferme avant de trancher.



Pour le poulet: insérer le thermomètre dans la partie la plus épaisse de la cuisse, là où la cuisse rejoint le corps du poulet.



Pour un jambon ou un rôti: insérer le thermomètre dans le centre de la partie la plus pesante de la viande.

TECHNIQUES DE CUISSON

CUISSON À LA GRILLE

1. Faire la cuisson sur la grille avec le couvercle fermé à température basse accroitra la saveur "fumée".
7. Après la cuisson fermer le couvercle et tourner les brûleurs à "HIGH" pendant 10 minutes pour brûler la graisse excessive dans le grill.
8. Pour un ajustement additionnel de chaleur utiliser la grille à deux positions pour élever et baisser la surface de cuisson.

GUIDE DE CUISSON SUR LA GRILLE:

VIANDE	GROSSEUR/ÉPAISSEUR	TEMP.	SAIGNANT	BIEN CUIT
HAMBURGER	PETITS PATTES	BASSE/MOY	12	14 MIN
BIFTECKS	ÉPAISSEUR 1"	MOY	8	12 MIN
BIFTECKS	ÉPAISSEUR 1.2"	MOY	16	24 MIN
CÔTELETTE	ÉPAISSEUR 1"	BASSE/MOY	15	25 MIN
DÂGNÉAU	ÉPAISSEUR 1.2"	BASSE/MOY	25	30 MIN
CÔTELETTE DE PORC	ÉPAISSEUR 1.2"	BASSE/MOY	40	60 MIN
CÔTES LEVÉES	ENTRÈRES	BASSE	25	35 MIN
AILES DE POULET	ENTRÈRES	BASSE	30	45 MIN
POTRINE DE POULET	ENTRÈRES	BASSE/MOY	15	20 MIN
FILET DE POISSON	ÉPAISSEUR 1.2"	BASSE/MOY	15	20 MIN
HOWARD (FENDU)	ENT. OU QUEUE	BASSE	15	20 MIN

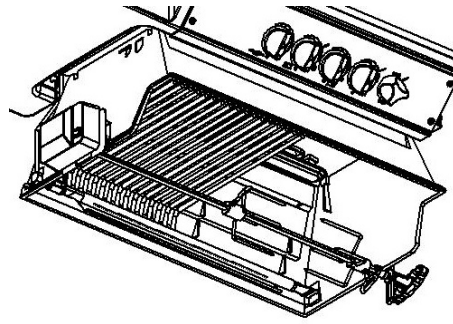
CUISSON À CONVECTION

Cette méthode est idéale pour rôtir de gros morceaux de viande avec ou sans un tournebroche.

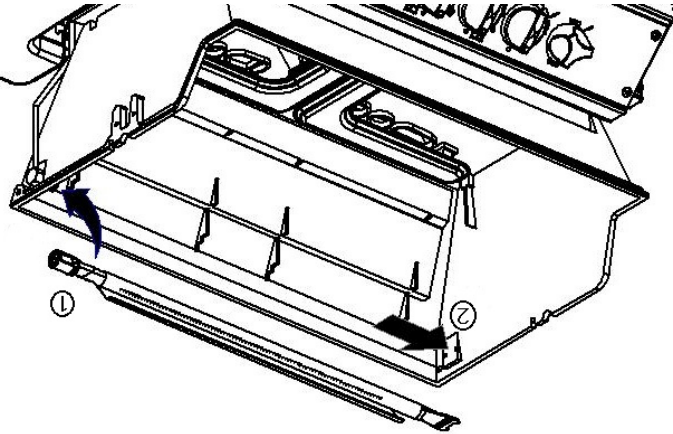
1. Préparer le grill avant de l'allumer. Placer une lèchefrite sur les briquettes, sous le milieu de la nourriture. Mettre d'une demie à un pouce d'eau dans la lèchefrite. Du jus de fruit, du vin ou une marinade peuvent aussi être ajoutés pour améliorer la saveur. Ne pas laisser la lèchefrite sécher.
2. Pour rôtir sans un tournebroche, placer la viande dans un plat à rôtir, directement sur les grilles.
3. Dans la plupart des cas, la cuisson à convection est meilleure avec le couvercle fermé et la chaleur réduite.
4. Fermer le grill et permettez-le de refroidir avant d'enlever la lèchefrite. La graisse est très inflammable et doit être manipulée soigneusement pour éviter les blessures.

CUISSON À BRÛLEUR ARRIÈRE

1. Le tournebroche peut accommoder jusqu'à 7 kg (15 lbs) de viande avec le facteur de limitation de l'espace libre de rotation. Pour de meilleurs résultats, la viande doit être distribuée à la longueur de la broche et centrée à la ligne centrale de la broche pour éliminer une condition déséquilibrée.
2. Le tournebroche peut être utilisé en combinaison avec les grilles de cuisson si l'espace le permet. Dans ce cas, placer la viande le plus près de la poignée de la broche afin de faciliter le maniement.



Le brûleur arrière, équipé d'un ressort, peut être facilement enlevé quand on ne s'en sert pas.



Certains modèles comprennent un brûleur arrière pour cuisson à tournebroche. La méthode de cuisson à tournebroche est l'idéal pour cuire les rôtis et la volaille. Avec la source de chaleur située derrière la nourriture, il n'y a pas de chance d'avoir le repas brûlé ou gâté par les "flambées" causées par la graisse. Cuissez avec confiance, sachant que vous aurez toujours les meilleurs résultats. Un plat ou une lèchefrite, placés sous la broche retiendra les jus pour arroser ou pour préparer une sauce.

BRÛLEUR ARRIÈRE

RÔTI DE BOEUF	3-6 LB	6-10 LB	MOY/BASSE	2	4 HRS
RÔTI DE BOEUF <td>6-10 LB <td>MOY/BASSE <td>3</td> <td>-</td> <td>5 HRS</td> </td></td>	6-10 LB <td>MOY/BASSE <td>3</td> <td>-</td> <td>5 HRS</td> </td>	MOY/BASSE <td>3</td> <td>-</td> <td>5 HRS</td>	3	-	5 HRS
RÔTI DE PORC <td>2-5 LB <td>MOY/BASSE <td>2</td> <td>-</td> <td>4 HRS</td> </td></td>	2-5 LB <td>MOY/BASSE <td>2</td> <td>-</td> <td>4 HRS</td> </td>	MOY/BASSE <td>2</td> <td>-</td> <td>4 HRS</td>	2	-	4 HRS
RÔTI DE PORC <td>6-10 LB <td>MOY/BASSE <td>3</td> <td>-</td> <td>5 HRS</td> </td></td>	6-10 LB <td>MOY/BASSE <td>3</td> <td>-</td> <td>5 HRS</td> </td>	MOY/BASSE <td>3</td> <td>-</td> <td>5 HRS</td>	3	-	5 HRS
DINDE OU POULET <td>2-5 LB <td>MOY/BASSE <td>2</td> <td>-</td> <td>4 HRS</td> </td></td>	2-5 LB <td>MOY/BASSE <td>2</td> <td>-</td> <td>4 HRS</td> </td>	MOY/BASSE <td>2</td> <td>-</td> <td>4 HRS</td>	2	-	4 HRS
DINDE OU POULET <td>5-10 LB <td>MOY/BASSE <td>3</td> <td>-</td> <td>5 HRS</td> </td></td>	5-10 LB <td>MOY/BASSE <td>3</td> <td>-</td> <td>5 HRS</td> </td>	MOY/BASSE <td>3</td> <td>-</td> <td>5 HRS</td>	3	-	5 HRS

À CONVECTION: GUIDE DE CUISSON À BRÛLEUR ARRIÈRE/

3. Bien attacher la viande sur la broche avant de la placer sur le grill. Pour la volaille, attacher les ailes et les pattes serrement pour éviter contact avec la lèchefrite.
4. Dans la plupart des cas la cuisson au tournebroche est meilleure avec le couvercle fermé et la chaleur réduite.
5. Avant de placer la viande sur le grill, arroser la viande avec de l'huile végétale ce qui accroitra le brunissement à l'extérieur de la viande.
6. Dans la plupart des applications de cuisson à tournebroche, une lèchefrite est suggérée pour tenir la graisse. Placer la lèchefrite sur les briquettes, sous le milieu de la nourriture. Mettre d'une demie à un pouce d'eau dans la lèchefrite. Du jus de fruit, du vin ou une marinade peuvent aussi être ajoutés pour améliorer la saveur. Ne pas laisser la lèchefrite sécher. Pour cuisson sans lèchefrite, prendre attention pour éviter risque de feu de graisse.
7. Porter des mitaines à four en manipulant la broche ou en travaillant autour du grill pour éviter de se blesser.
8. Avant d'enlever la graisse du lèchefrite, fermer le grill et laisser refroidir. La graisse non-végétale est très inflammable et doit être manipulée avec soin pour éviter de se blesser.

FONCTIONNEMENT

Allumage. Avant de cuisiner pour la première fois avec votre grill à gaz, l'allumer pour éliminer toutes les odeurs ou corps étrangers en procédant comme suit.

Enlever la grille de cuisson et la grille de réchauffage et nettoyer avec de l'eau et un savon doux. Allumer le brûleur, fermer le couvercle et fait marcher le grill pendant **20 minutes** avec les boutons de réglage ouverts au **moyen**. Éteindre le gaz à la source. Tourner les boutons de contrôles sur "OFF". Laisser refroidir l'appareil et replacer les grilles. Vous êtes maintenant prêt pour utiliser l'appareil.

Préchauffage. Il est nécessaire de préchauffer brièvement le grill avec couvercle fermé pour certains aliments. Les aliments exigeant une température élevée de cuisson ont besoin d'un temps de préchauffage variant de six à dix minutes; pour ceux dont la température de cuisson est inférieure, le temps de préchauffage varie entre deux et cinq minutes. Aucun préchauffage n'est nécessaire pour les ragouts ou autres aliments à cuisson lente.

Position du couvercle. La position du couvercle en cours de cuisson est une question de préférence personnelle. Cependant, notons que le grill cuit plus rapidement, utilise moins de gaz et contrôle mieux la température avec le couvercle fermé. Le couvercle fermé permet aussi de donner un goût plus fumé aux viandes cuites directement sur la grille et est indispensable à la cuisson à fumée et à rôtisserie.

TEMPÉRATURES DE CUISSON

Réglage Elevé. Avec les boutons réglés au maximum "HIGH", la température à la surface de la grille cuisson est d'environ 550°F (290°C) une fois le grill réchauffé. Utilisez ce réglage que pour faire chauffer rapidement, pour griller biftecks et côtelettes et pour enlever par brûlage les résidus d'aliments des grilles et des briquettes après la cuisson. Ce n'est que rarement, pour ne pas dire jamais, que vous utiliserez ce réglage ELEVÉ pendant une longue période de cuisson.

Réglage Moyen. Avec les boutons réglés à température moyenne (MEDIUM) la température à l'intérieur du grill est d'environ 450°F (230°C) avec le couvercle fermé. Utilisez ce réglage la plupart du temps pour griller, rôti et cuire au four, ainsi que pour les hamburgers et les légumes.

Réglage Bas. Avec les boutons de contrôle réglés à basse température (LOW), la température à l'intérieur du grill est d'environ 350°F (175°C). Utilisez ce réglage pour toutes cuissons à fumée et à rôtisserie ainsi que pour des aliments maigres comme le poisson.

Ces températures ne sont qu'approximatives et varient avec la température ambiante et le vent soufflant sur le grill.

Pour obtenir de meilleurs résultats en utilisant la méthode à convection ou la rôtisserie, utiliser un thermomètre.

TECHNIQUES DE CUISSON

PRÉPARATION:

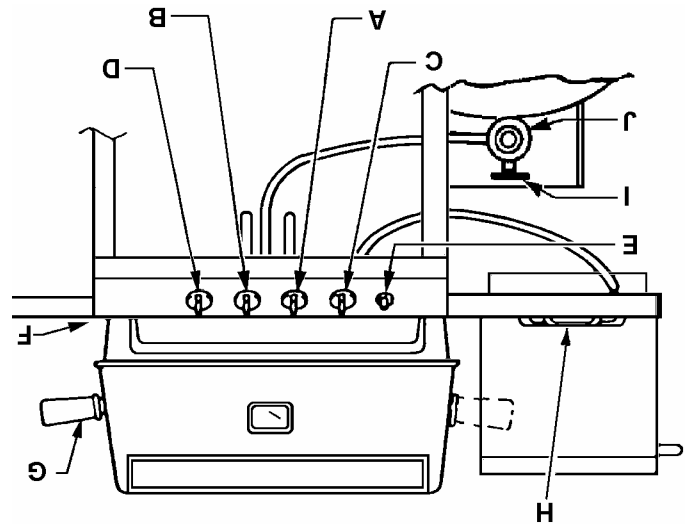
1. Réparer l'aliment en avance pour éviter un détail et les problèmes du réglage de temps. En utilisant une marinades ou des épices, celles-ci doivent être appliquées avant de placer la viande sur la grille de cuisson.
2. Organiser l'endroit autour du grill afin d'y inclure des fourchettes, des pincettes, des mitaines à four, des sauces et proximité du grill pendant la cuisson.
3. Ôter la graisse excessive de la viande, afin de minimiser "les flambées" causées par la graisse qui goutte.
4. Pour éviter que la nourriture n'attache à la grille, passer une couche d'huile végétale ou un anti-adhérent en bombe avant d'allumer les brûleurs.
5. Préchauffer le grill à la température désirée avec le couvercle fermé avant de commencer la cuisson.
6. Les légumes se préparent mieux dans une feuille d'aluminium avec une humidité suffisante pour créer de la vapeur. Le temps de cuisson pour les légumes est similaire aux temps de cuisson au four ou cuisson à vapeur sur un fourneau électrique.
7. Avant de commencer la cuisson vérifier la provision de gaz.

GUIDE POUR THERMOMÈTRE À VIANDE

BOEUF/AGNEAU SAIGNANT	55°C (130°F)
BOEUF/AGNEAU MOYEN	66°C (150°F)
BOEUF/AGNEAU BIEN CUIT	71°C (160°F)
VEAU BIEN CUIT	65°C (150°F)
PORC BIEN CUIT	77°C (170°F)
VOLAILLE BIEN CUIT	77°C (170°F)

CUISSON SUR LA GRILLE

- La cuisson à grille est la forme la plus populaire de cuisson au grill. La technique est dictée par le goût personnel.
1. Ne pas saler en cuisant des viandes sur le grill. La viande restera plus succulente si le sel est ajouté après la cuisson.
 2. Ne pas arroser les viandes jusqu'à ce qu'elles soient cuites à un tiers ou à un demi. Les sauces avec des tomates, du sucre et de l'huile brûlent facilement et peuvent produire des flambées suite aux gouttes.
 3. Afin de prévenir que les biftecks "sèchent", utiliser des pincettes plutôt qu'une fourchette et commencer sur "HIGH" pour saisir la viande. Réduire la chaleur quand la viande est bien dorée. Généralement, les morceaux plus épais de bifteck resteront plus humides sur un grill.
 4. Pour vérifier si la viande est cuite, faire une petite coupure à la section la plus épaisse ou près de l'os pour vérifier la couleur.
 5. Pour de meilleurs résultats, ne pas laisser les flammes atteindre les aliments. Cela éliminera le goût de "brûlé", particulièrement pour le poulet et le porc.



1. L'appareil doit être assemblé entièrement selon les instructions détaillées de l'assemblage.

2. S'assurer que le réservoir de gaz soit plein et proprement connecté au régulateur.

3. S'assurer qu'il n'y ait pas de fuites de gaz dans le système d'alimentation de gaz. Voir "Réservoir de gaz LP. Contrôle des Fuites"

4. S'assurer que les tubes venturi soient placés correctement au-dessus de l'orifice de la soupape.

5. S'assurer que les fils pour allumer le brûleur principal et le brûleur latéral soient connectés.

6. Lire attentivement toutes les instructions figurant sur la plaque de renseignements du grill.

7. **AVERTISSEMENT: Ouvrir le couvercle avant l'allumage.**

8. Placer les boutons de réglage à la position d'arrêt "OFF" et ouvrir le robinet de gaz.

9a. **Pour Brûleur Principal**

Pousser les deux boutons de réglage et les tourner au réglage maximum "H!". Appuyer 3 ou 4 fois sur le bouton d'allumage ou allumer une allumette. Le brûleur devrait s'allumer dans les 5 secondes suivantes

(Il sera peut être plus facile d'allumer, avec le bouton de réglage droit ou les deux boutons de réglage tournés à chateur moyenne "Medium".)

Remarque: Allumage à l'allumette Étapes 1 à 8 ci-dessus. Insérer une allumette allumée dans l'orifice d'allumage situé en pas à droite du foyer du grill. Pousser le bouton de réglage droit, à "H!". Le brûleur devrait s'allumer dans les 5 secondes suivantes. Après avoir allumé le brûleur droit, pousser le bouton de réglage gauche à "H!". Le brûleur s'allumera automatiquement.

9b. **Pour Brûleur Latéral:**

Pousser le bouton de réglage et le tourner au réglage maximum "H!". Appuyer 3 à 4 fois sur le bouton d'allumage. Le brûleur devrait s'allumer dans 5 secondes suivantes. **Remarque: Allumage à l'allumette** étapes 1 à 8 ci-dessus. Placer une allumette allumée près des orifices du brûleur latéral. Pousser le bouton de réglage à la position "H!". Le brûleur devrait s'allumer dans 5 secondes suivantes.

9c. **Pour le brûleur à rôtisserie arrière:**

Attention: Le brûleur arrière doit être à sa place avant de faire marcher le bouton de réglage. **AVERTISSEMENT -** Ne pas faire fonctionner le brûleur principal en même temps que le brûleur arrière, ce qui pourrait mener à un feu de graisse ou des dommages au grill.

Attention: Le brûleur arrière doit être à sa place avant de faire marcher le bouton de réglage.

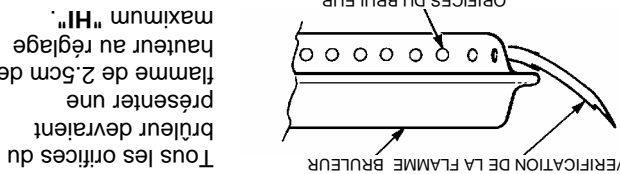
ENLEVER LA GRILLE DE RÉCHAUFFAGE.

Suivre les étapes 1 à 8 ci-dessus. Placer une allumette allumée près des orifices du brûleur arrière.

Pousser et tourner le bouton de réglage à "H!". Brûleur devrait s'allumer dans 5 secondes suivantes.

Il est important de placer l'allumette près des orifices du brûleur **AVANT** de tourner le bouton de contrôle du brûleur.

10. **Attention - Contrôler le grill après l'avoir allumé.**



Tous les orifices du brûleur devraient présenter une flamme de 2,5cm de hauteur au réglage maximum "H!".

Si un des symptômes suivants se produisent, les tubes venturi sont probablement bloqués. Fermer le gaz immédiatement et nettoyer les tubes venturi. Voir "Tubes Venturi".

1. On sent du gaz.
2. Un feu causé par un flux se produit.
3. Le grill cuit inégalement.
4. Les brûleurs émettent des crépitements.

SI LE BRÛLEUR NE S'ALLUME PAS:

1. Pousser et tourner le bouton de réglage à la position d'arrêt "OFF". Attendre 5 minutes, puis essayer de nouveau avec le bouton de réglage droit ou avec les deux boutons de réglage tournés à chateur moyenne "Medium".
2. Si un brûleur ne s'allume pas, consulter la "Localisation de Panes". Si le problème ne peut pas être résolu, ne pas essayer de faire fonctionner l'appareil; contacter votre marchand ou un centre de service autorisé.

FERMETURE

1. Fermer le robinet du réservoir de gaz à "OFF".
2. Tourner les boutons de réglage à "OFF".

CONTRÔLE DES FUITES

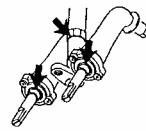
Toutes les connexions fabriquées en usine ont été testées pour dépister les fuites de gaz et les brûleurs ont également subi des tests à flamme. Toutefois, à l'expédition et à la maintenance un raccord pourrait se desserrer.

MESURES DE PRÉCAUTION:

- VÉRIFIER TOUTES LES CONNEXIONS POUR FUITES AVANT D'UTILISER VOTRE GRIL À GAZ.
- VÉRIFIER LA SOUPAPE DU RÉSERVOIR POUR FUITES À CHAQUE REMPLISSAGE.
- VÉRIFIER LES FUITES DE GAZ CHAQUE FOIS QU'UN RACCORD DE GAZ EST DÉBRANCHÉ ET REBRANCHÉ.
- NE PAS FUMER!
- NE JAMAIS TESTER LES FUITES DE GAZ EN TENANT UNE ALLUMETTE ALLUMÉE OU AUTRE SOURCE DE FLAMME.
- LE TEST DE FUITES DE GAZ DOIT ÊTRE EFFECTUÉ À L'EXTÉRIEUR.

VÉRIFICATION DES FUITES DE GAZ:

1. Éteindre toutes flammes ou cigarettes dans les environs.
2. S'assurer que les soupapes du réservoir et de l'appareil soient fermées.
3. Connecter le réservoir de gaz LP. Voir "Tuyau et Régulateur".
4. Préparer une solution savonneuse (quantités égales d'eau et de détergent liquide pour la vaisselle).
5. **Ouvrir complètement** le robinet du plein réservoir de gaz.
6. À l'aide d'un pinceau, brosser chaque raccord avec la solution savonneuse.



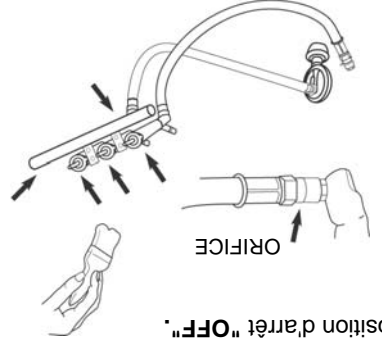
Si votre grill est équipé d'un brûleur latéral ou brûleur à rôtisserie:

- a. Mettre le bout d'un doigt sur l'ouverture de l'orifice à l'extrémité du tuyau.

- b. Tourner le bouton de commande du brûleur latéral "SIDE/REAR" à la position "HI".

- c. Brosser chaque raccord entre l'orifice et le bouton de commande avec la solution savonneuse.

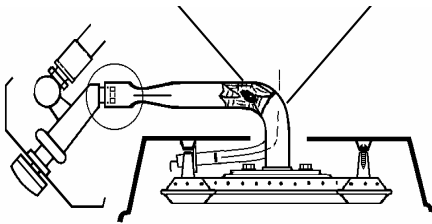
- d. Tourner le bouton de commande "SIDE/REAR" à la position d'arrêt "OFF".



7. Si la solution fait des bulles, il y a une fuite.
8. Si une fuite est découverte, fermer la soupape d'arrêt du réservoir, serrer le volant à main P.O.L. et vérifier de nouveau (Étape N° 5).
9. Si la fuite persiste, prendre contact avec votre marchand de grill pour assistance. **Ne pas essayer** de faire fonctionner l'appareil s'il y a une fuite.

- Si un feu de retour de flamme a lieu, fermer immédiatement le gaz à la source.

TUBES VENTURI LES TOILES D'ARAIGNÉE



Même s'il est possible d'allumer le grill, le gaz accumulé dans les conduits peut s'enflammer et incendier les tubes venturi et le tableau de contrôle.

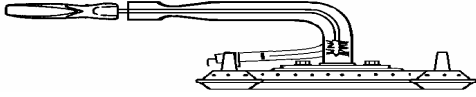
- GARDER LES TUBES VENTURI PROPRES
- Les obstructions causées par les toiles d'araignée, nids d'insectes ou l'eau peuvent causer un feu de retour de flamme.

INSPECTION ET NETTOYAGE DES TUBES VENTURI

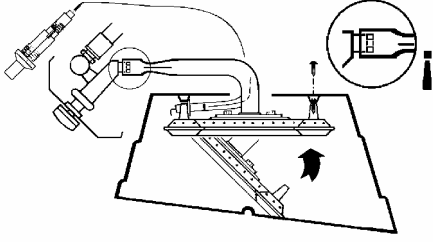
1. Fermer la source du grill, c.-à-d. le réservoir, ou la conduite d'alimentation de gaz naturel.

2. Lorsque le grill est froid, enlever les attaches de retenue des brûleurs de dessous et, lever le brûleur du foyer du grill.

3. Nettoyer les tubes venturi avec une brosse à bouteille ou avec une brosse venturi (accessoire n° #18270).



4. Replacer le brûleur en position au fond du grill en vous assurant que les tubes venturi soient correctement alignés et ajustés sur les orifices.



5. Fixer le brûleur avec les attaches de retenue appropriées.

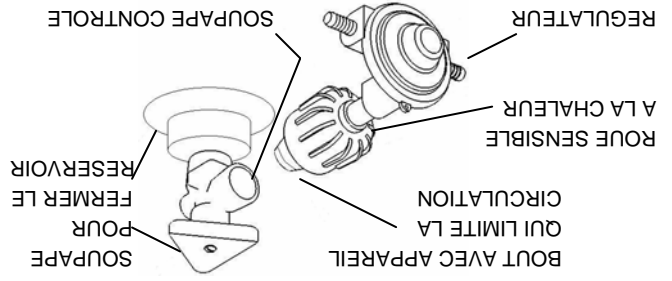
RÉSERVOIR DE GAZ PROPANE

QCC®-1 ACCOUPLEMENT POUR

CONNEXION RAPIDE

Les modèles piédestal et chariot de grill à gaz OMC, ont été conçus pour être utilisés avec un réservoir de gaz LP, équipé du nouveau système QCC®-1 (accouplement pour connexion rapide).
Le système QCC®-1 contient de nouvelles caractéristiques de précaution exigées par la Commission Canadienne de Standards de Direction et l'Institut Américain de Standards Nationaux (ANSI).

- Le gaz ne circulera pas à moins qu'une connexion positive soit faite.
- Une résistance thermique arrêtera la circulation du gaz entre 240° et 300° F.
- Quand active, un appareil qui limite la circulation, limitera la circulation du gaz à 10 pieds cube à l'heure.



Le réservoir de gaz LP n'est pas inclus avec le grill à gaz. S'assurer d'en acheter un qui comprend la soupape QCC®. Cette soupape est reconnaissable par le filetage extérieur sur l'arrivée de la soupape. Les réservoirs équipés du QCC® sont disponibles chez votre détaillant de grils à gaz.

Un essai de connecter le régulateur à l'aide d'adaptateurs ou d'autres moyens à n'importe quelle soupape peut mener aux dommages, incendies, ou blessures et pourra nier les caractéristiques de précaution importantes du système QCC®-1

SPÉCIFICATIONS:

1. Tous réservoirs de gaz, utilisé avec cet appareil, doivent être fabriqués selon les spécifications applicables, conformément aux règlements de la CCT (Commission Canadienne des Transports) pour une utilisation au Canada, et doivent porter l'inscription appropriée ou conformément aux règlements du Département des Transports des Etats-Unis, pour une utilisation aux Etats-Unis.
2. Le réservoir de gaz utilisé avec cet appareil doit avoir une contenance inférieure à 20 lbs (9kg). Il doit être approximativement 18po(46cm) de haut et 12po (31cm) de diamètre.
3. Tous réservoirs de gaz, utilisés avec cet appareil, doivent être inspectés à chaque remplissage et doivent être qualifiés par un magasin de service agréé licencé à la date d'expiration (10 ans), conformément aux règlements des codes pour réservoirs de gaz de la CCT (Canada) et DOT (Etats-Unis).
4. Tous réservoirs, utilisés avec cet appareil, doivent être munis d'une soupape d'arrêt arrivant dans une sortie de soupape de réservoir de gaz N° 510, comme il est spécifié par la Norme "Accords des sorties et entrées de soupape

FONCTIONNEMENT:

1. **Toujours conserver le réservoir de gaz à l'extérieur.** NE PAS entreposer le réservoir de gaz en plein soleil. Si vous désirez ranger l'appareil à l'intérieur, il faut débrancher et enlever le réservoir et le placer à l'extérieur dans un endroit bien aéré.
4. Garder hors de la portée des jeunes enfants. Si vous laissez le réservoir branché à l'appareil, vous devez les ranger à l'extérieur, dans un endroit bien aéré.

ENTREPOSAGE:

1. Les règlements gouvernementaux interdisent l'expédition de réservoirs pleins. Il faut donc faire remplir votre nouveau réservoir chez un détaillant de gaz LP.
2. Un réservoir de gaz est extrêmement pressurisé. Toujours manipuler et transporter le réservoir avec soin et s'assurer qu'il soit dans une position verticale. Protéger la soupape des dommages accidentels.
3. Ne pas incliner le réservoir lorsque vous le branchez au régulateur. Placer le réservoir verticalement pour l'usage et l'entreposage.
4. Si le réservoir est incliné après son branchement au régulateur, il faut fermer le gaz, débrancher le régulateur et le faire vérifier avant de l'utiliser à nouveau.

MANUTENTION:

Les règlements gouvernementaux interdisent l'expédition de réservoirs pleins. Il faut donc faire remplir votre nouveau réservoir chez un détaillant de gaz LP.- 2. Un réservoir de gaz est extrêmement pressurisé. Toujours manipuler et transporter le réservoir avec soin et s'assurer qu'il soit dans une position verticale. Protéger la soupape des dommages accidentels.
- 3. Ne pas incliner le réservoir lorsque vous le branchez au régulateur. Placer le réservoir verticalement pour l'usage et l'entreposage.
- 4. Si le réservoir est incliné après son branchement au régulateur, il faut fermer le gaz, débrancher le régulateur et le faire vérifier avant de l'utiliser à nouveau.

Le réservoir à gaz comprimé "Etats-Unis ANSI/CGA-V-1-1977 - ACNOR B96 au Canada. En plus, le système de distribution du réservoir doit permettre à la vapeur de s'échapper et le réservoir doit inclure un collet pour protéger la soupape. La soupape doit être munie d'un dispositif de sûreté raccordé directement à la zone de vapeur du réservoir.

SÉCURITÉ

INSTALLATION

Votre nouveau grill à gaz est un appareil sans danger et pratique, s'il est assemblé et utilisé correctement. Néanmoins, comme avec tous les produits fonctionnant au gaz, certaines mesures de sécurité doivent être observées. **L'observation de ces mesures de sécurité peut mener aux dommages ou blessures.** Si vous avez des questions en ce qui concerne l'assemblage ou le fonctionnement, veuillez consulter votre marchand, technicien d'appareils à gaz, ou votre compagnie de gaz.

Ce manuel de l'utilisateur est applicable à tous modèles et marques de grils à gaz OMC. Naturellement, certains modèles n'ont pas toutes les options comme le brûleur latéral, les grilles en fonte, les briquettes en céramique, le brûleur à rôtisserie arrière et les tablettes dépliantes.

MESURES DE SÉCURITÉ

- Si vous sentez du gaz:
 1. Fermer le gaz.
 2. Éteindre toutes flammes.
 3. Ouvrir le couvercle.
 4. Si l'odeur persiste, appeler immédiatement votre fournisseur de gaz.
- NE PAS ranger ou utiliser de l'essence, ou autres vapeurs et liquides inflammables près des appareils, y compris celui-ci.**
- Un réservoir de gaz LP qui n'est pas connecté pour utilisation ne doit pas être rangé près des appareils, y compris celui-ci.**

ATTENTION

- UTILISER À L'EXTÉRIEUR SEULEMENT.
- POUR L'ENTREPOSAGE À L'INTÉRIEUR, DÉTACHER ET RANGER LE RÉSERVOIR À L'EXTÉRIEUR.
- NE PAS FAIRE FONCTIONNER CET APPAREIL SANS SURVEILLANCE.
- UN SOIN SPÉCIAL EST NÉCESSAIRE POUR TENIR LES JEUNES ENFANTS ÉLOIGNÉS DES SURFACES CHAUFFÉES.

PRÉCAUTION ÉLECTRIQUE

1. Si avec cet appareil, on se sert d'un accessoire qui nécessite une source d'alimentation électrique extérieure, l'accessoire doit être mis à la terre conformément aux codes locaux ou en absence de ceux-ci, conformément au Code Electrique Canadien, ACNOR C22.1 et aux États-Unis à la norme ANSI/NFPA N° 70-Dernière édition.
2. Ne pas couper ou enlever la pointe pour mise à la terre de la prise.
3. Tenir le fil électrique et le tuyau d'alimentation de combustible éloignés de toute surface chauffée.

AVERTISSEMENT

Les combustibles qui sont utilisés dans le gaz ou les appareils qui fonctionnent à l'huile et les produits de combustion contiennent des chimiques qui, connus au état de Californie, cause le cancer, les maladies infantiles et d'autre anomalie du reproducteur.

"Cette avertissement est émet en accord avec le Santé Californie et le code de sécurité Sec. 25249.6"



1. Cet appareil doit être installé selon le code local, ou en l'absence de local code, avec le code national de gaz de carburant, la norme ANSI Z223.1/NFPA 54, ou le CAN/CGA-B149.1, le gaz naturel et le coded'installation de propane.
2. L'appareil doit être situé au moins 76cm/30" de chaque côté, et 76cm/30" devant les surfaces combustibles.

LE PLACEMENT DES BONNES DE GAZ PROPANE

3. NE PAS UTILISER cet appareil sous un toit ou sous un feuillage.
4. Cet appareil est conçu pour UTILISER À L'EXTÉRIEUR SEULEMENT. NE PAS UTILISER DANS UN GARAGE, UN HANGAR, SUR UN BALCON OU DANS UN AUTRE ENDROIT CLOS.
5. NE PAS RESTREINDRE la circulation d'air à l'appareil. Garder la surface entourant l'appareil libre de vapeurs inflammables.
7. Cet appareil n'est pas projeté d'être installé sur ou dans une autocaravane ou un bateau.
8. Les bonnes de gaz propane doivent être installées selon les instructions d'assemblage, utilisant les supports du réservoir.

LIRE ATTENTIVEMENT AVANT D'UTILISER SON GRIL
GARDER CES INSTRUCTIONS POUR RÉFÉRENCE ULTÉRIEURE



ANSI Z21.58/C.G.A. 1.6 - DERNIÈRE ÉDITION
TABLE DES MATIÈRES

2	DIRECTIVES DE SÉCURITÉ.....	
2	INSTALLATION.....	
3	RÉSERVOIR DE GAZ.....	
4	BONBONNE DE GAZ PROPANE OPD.....	
4	RÉGULATEUR ET TUYAU.....	
5	TUBES VENTURI.....	
5	CONTRÔLE DES FUITES.....	
6	ALLUMAGE.....	
7	FONCTIONNEMENT.....	
7	TECHNIQUES DE CUISSON.....	
10	ENTRETIEN.....	
11	LOCALISATION DE PANNES.....	
12	GARANTIE.....	

Veuillez prendre en note vos
 numéros de modèle et de série
 ici.

Numéro de modèle _____
 Numéro de série _____
 Date d'achat _____



UTILISATION AVEC GAZ LP
(GAZ PÉTROLE LIQUIDE)
AU CANADA - GAZ PROPANE

MANUEL DE L'UTILISATEUR

