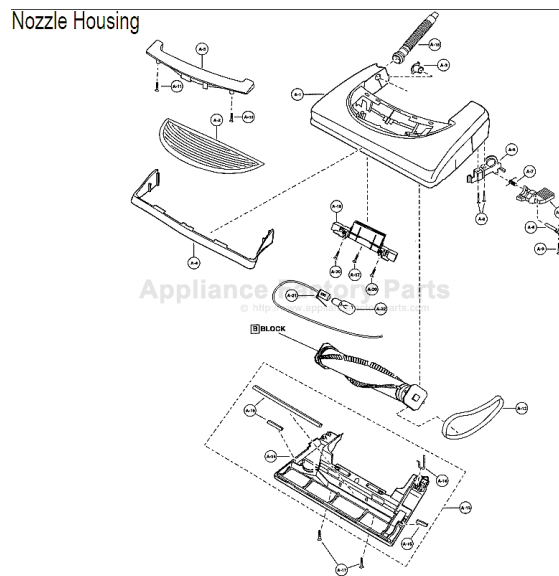


This Owner's Manual is provided and hosted by [Appliance Factory Parts](http://Appliance Factory Parts).



# PANASONIC V7335 Owner's Manual

[Shop genuine replacement parts for PANASONIC  
V7335](#)



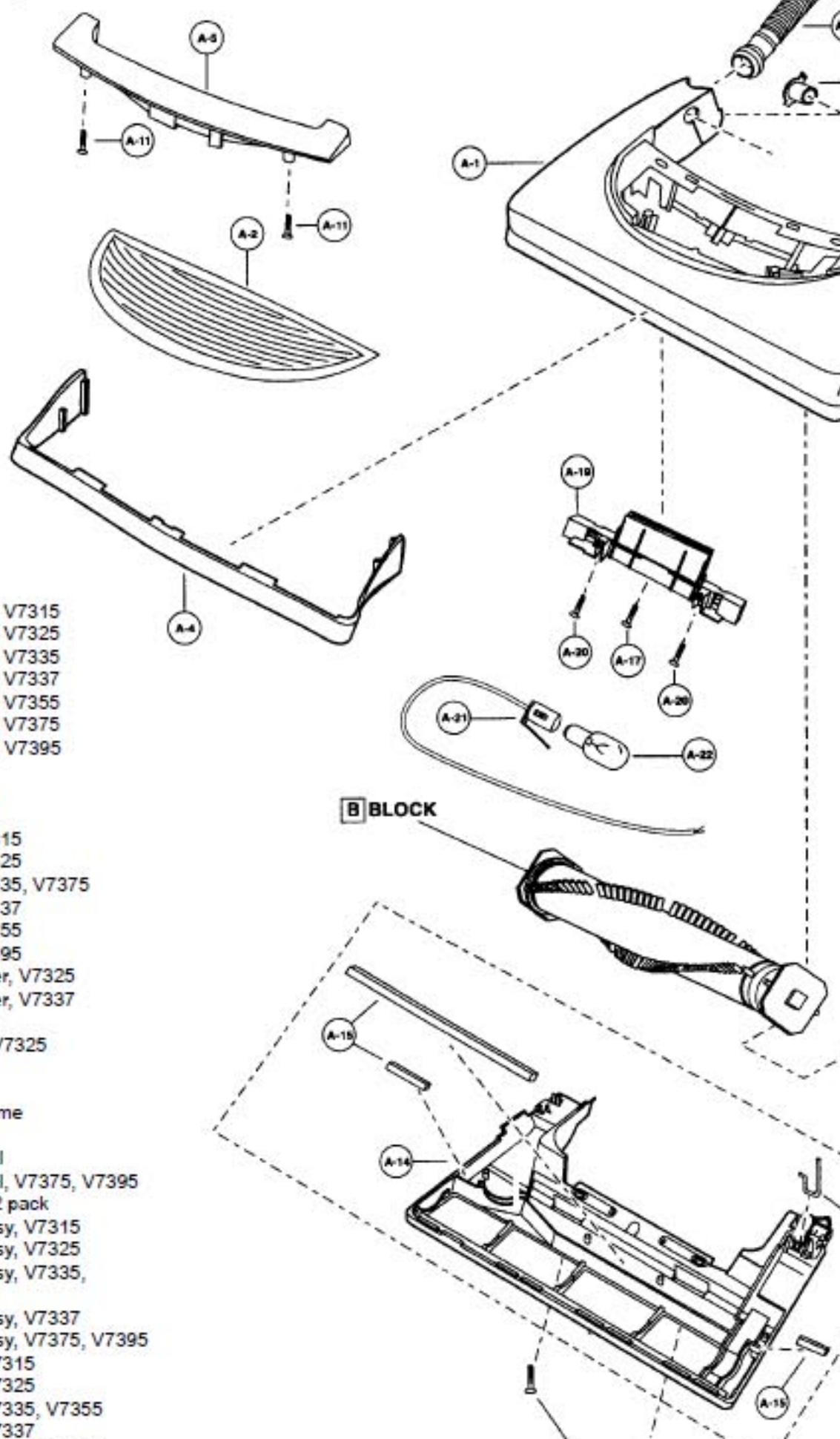
[Find Your PANASONIC Vacuum Cleaner Parts - Select From 605 Models](#)

----- Manual continues below -----

# PANASONIC

Models: MC-V7315, MC-V7325, MC-V7335, MC-V7355, MC-V7337, MC-V7375

## Nozzle Housing

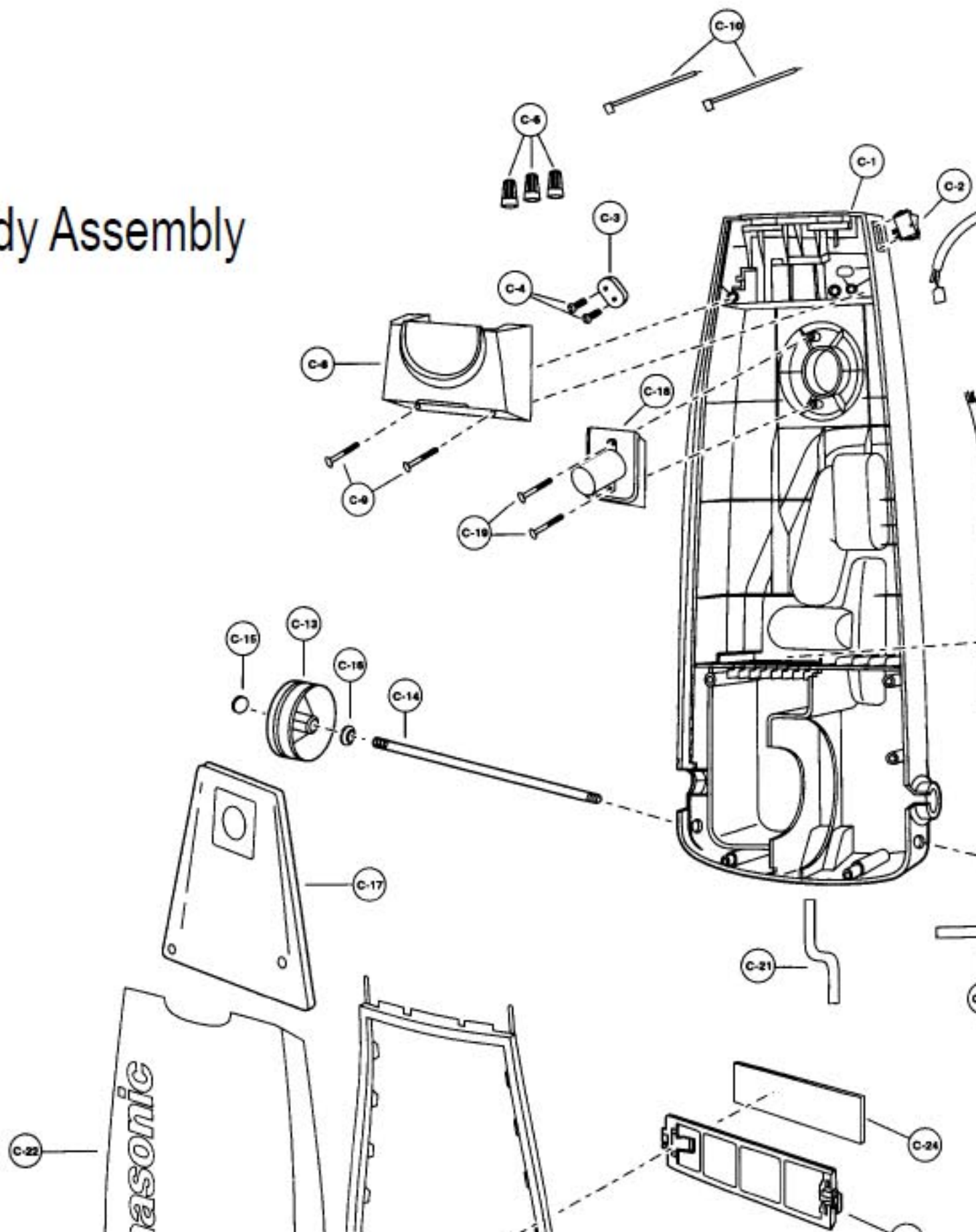


- 1..... P-5966..... Nozzle Housing, V7315
- 1..... P-8170..... Nozzle Housing, V7325
- 1..... P-9916..... Nozzle Housing, V7335
- 1..... P-9898..... Nozzle Housing, V7337
- 1..... P-9917..... Nozzle Housing, V7355
- 1..... P-11025..... Nozzle Housing, V7375
- 1..... P-11026..... Nozzle Housing, V7395
- 2..... P-9854..... Window
- 3..... P-2500..... Shaft, plastic
- 4..... P-9855..... Furniture Guard
- 5..... P-9856..... Light Cover, V7315
- 5..... P-8171..... Light Cover, V7325
- 5..... P-9918..... Light Cover, V7335, V7375
- 5..... P-98100..... Light Cover, V7337
- 5..... P-9879..... Light Cover, V7355
- 5..... P-11035..... Light Cover, V7395
- 6..... P-8172..... Screw, light cover, V7325
- 6..... P-42092..... Screw, light cover, V7337
- 7..... P-9878..... Frame
- 7..... P-000095..... Frame, V7315, V7325
- 8..... P-9857..... Spring, pedal
- 9..... P-513..... Shaft, pedal
- 10..... P-4106..... Screw, pedal/frame
- 11..... P-4720..... Pedal, black
- 12..... P-9880..... Cover, foot pedal
- 12..... P-10207..... Cover, foot pedal, V7375, V7395
- 13..... P-V270B..... Belt, type UB8, 2 pack
- 14..... P-9858..... Bottom Plate Assy, V7315
- 14..... P-8947..... Bottom Plate Assy, V7325
- 14..... P-9881..... Bottom Plate Assy, V7335, V7355
- 14..... P-98101..... Bottom Plate Assy, V7337
- 14..... P-9764..... Bottom Plate Assy, V7375, V7395
- 15..... P-2859..... Bottom Plate, V7315
- 15..... P-5893..... Bottom Plate, V7325
- 15..... P-5964..... Bottom Plate, V7335, V7355
- 15..... P-98102..... Bottom Plate, V7337

# PANASONIC

Models: MC-V7315, MC-V7325, MC-V7335, MC-V7355, MC-V7337, MC-V73

## Body Assembly

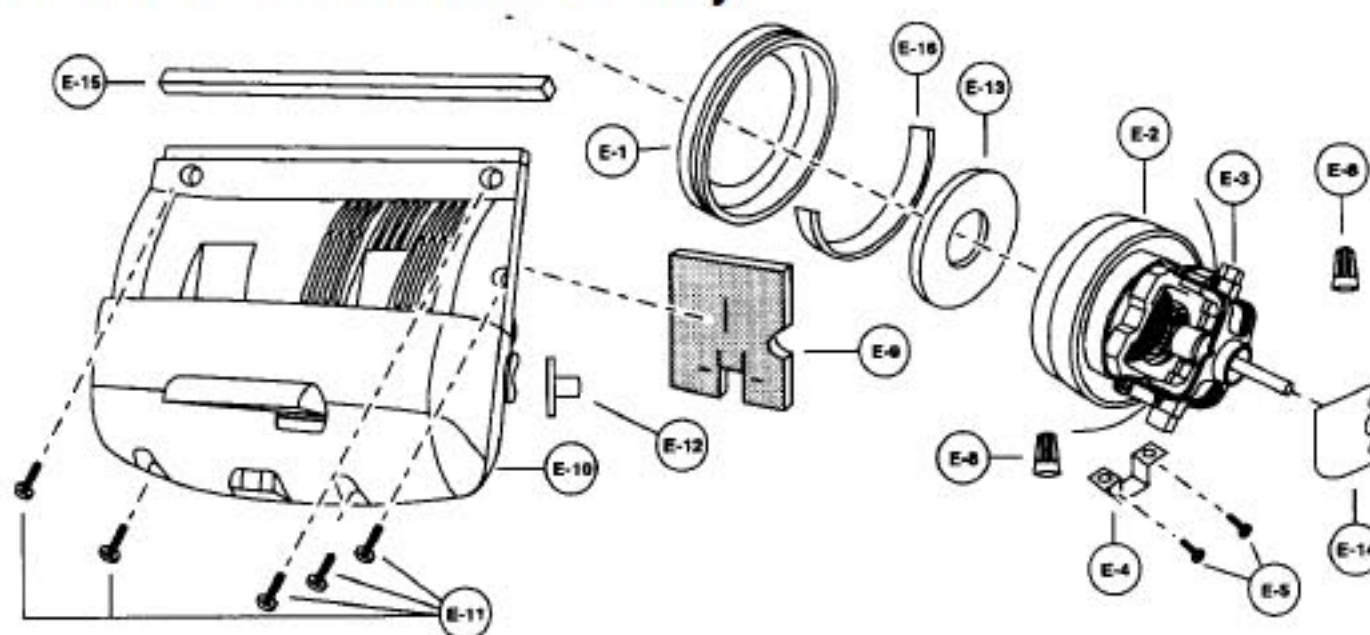


# PANASONIC

Models: MC-V7315, MC-V7325, MC-V7335, MC-V7355, MC-V7337, MC-V73

1.....P-9865.....Dust Compartment, V7315	13....P-9893.....Filter Supporter	28....P-99
1.....P-8173.....Dust Compartment, V7325	14....P-7023.....Secondary Filter, foam	28....P-11
1.....P-9924.....Dust Compartment, V7335, V7355	15....P-0114.....Wheel	28....P-11
1.....P-98107.....Dust Compartment, V7337	16....P-16005.....Shaft, wheel	29....P-38
1.....P-11027.....Dust Compartment, V7375, V7395	17....P-74009.....Stopper, wheel	30....P-30
2.....P-9869.....Packing, dust cover	18....P-6115.....Washer	30....P-81
3.....N/A.....Cord Stopper	19....P-115P.....Paper Bag, type U3, 3 pack	31....P-54
3.....P-0698.....Cord Stopper, V7325, V7375, V7395	20....P-9928.....Sensor Sensitivity Knob	32....P-99
4.....P-6140.....Screw, cord stopper	21....P-7082.....Cover, bag supporter	33....P-99
5.....P-7906.....Power Cord	22....P-6140.....Screw, bag supporter	34....P-68
6.....P-000623.....Wire Connector	23....P-5470.....Bag Supporter Assembly	35....P-00
7.....P-9866.....Packing, dust container	23....P-10358.....Bag Supporter, V7315, V7337	P-98
7.....P-9869.....Packing, dust container, V7315	23....P-8175.....Bag Supporter, V7325	P-93
8.....P-9867.....Switch Cover, V7315, V7337	24....P-10602.....On/Off Switch, V7315, V7325	P-00
8.....P-8174.....Switch Cover, V7325	24....P-0696.....On/Off Switch, V7335, V7337	P-00
8.....P-9925.....Switch Cover, V7335, V7375	24....P-9929.....On/Off Switch, V7355, V7395	P-00
8.....P-9920.....Switch Cover, V7355	24....P-0696.....On/Off Switch, V7375	P-00
8.....P-11029.....Switch Cover, V7395	25....P-000024.....Switch Lever	P-41
9.....P-9927.....Partition Board	25....P-0701.....Switch Lever, V7325, V7375, V7395	
10....P-6140.....Screw, switch cover	26....P-3990.....Packing, right	
11....P-3879.....Screw, optic cells	27....P-4160.....Packing, left	
12....P-9892.....Lead Wire	27....P-5860.....Packing, left, V7325, V7375, V7395	
12....P-4410.....Lead Wire, V7315, V7355	28....P-9868.....Dust Cover, V7315	
12....N/A.....Lead Wire, V7395	28....P-8948.....Dust Cover, V7325	
	28....P-9932.....Dust Cover, V7335	
	28....P-98108.....Dust Cover, V7337	

## Motor & Motor Case Assembly

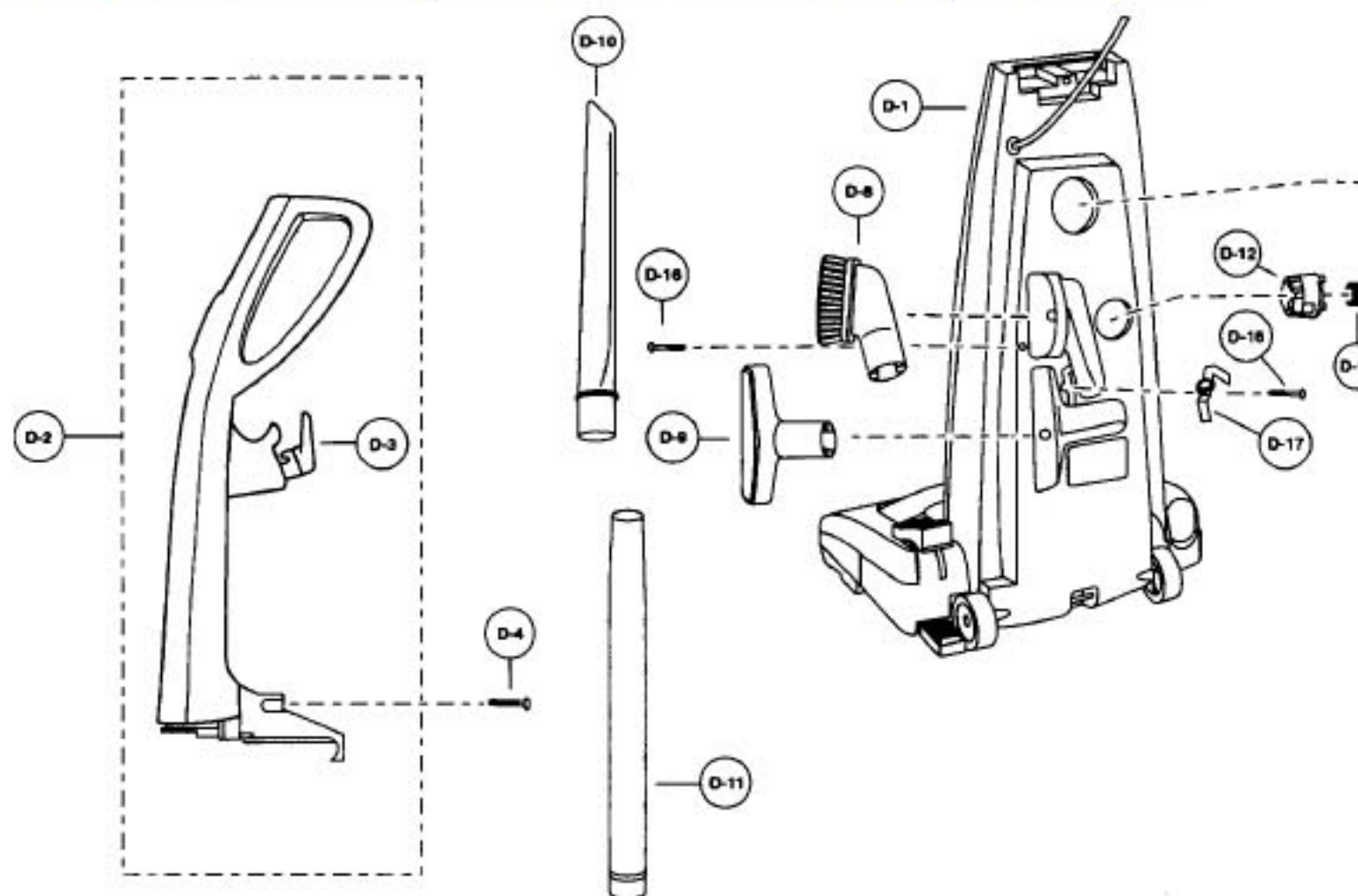


1.....P-0293.....Motor Support Rubber, front	6.....P-8183.....Motor Support Rubber, rear, V7325	13....P-98
2.....P-2908.....Motor Assy, V7315	7.....P-9931.....Noise Suppressor	14....P-04
2.....P-8181.....Motor Assy, V7325	8.....P-000023.....Noise Suppressor	15....P-41
2.....P-00005.....Motor Assy, V7325, V7355		16....P-00

# PANASONIC

Models: MC-V7315, MC-V7325, MC-V7335, MC-V7355, MC-V7337, MC-V73

## Handle Assembly & Rear Dust Compartment



- 1..... P-9865 ..... Dust Compartment, V7315
- 1..... N/A..... Dust Compartment, V7325
- 1..... P-9924 ..... Dust Compartment, V7335, V7355
- 1..... N/A..... Dust Compartment, V7337
- 1..... P-11027 ..... Dust Compartment, V7375, V7395
- 2..... P-9872 ..... Handle Assy, V7315
- 2..... P-8178 ..... Handle Assy, V7325
- 2..... P-9936 ..... Handle Assy, V7335
- 2..... P-98111 ..... Handle Assy, V7337
- 2..... P-9937 ..... Handle Assy, V7355
- 2..... P-9768 ..... Handle Assy, V7375
- 2..... P-11032 ..... Handle Assy, V7395
- 3..... P-7035 ..... Cord Hook, upper
- 4..... P-9907 ..... Screw, handle

- 4..... P-000048 ..... Screw, handle, V7315
- 5..... P-8972 ..... Cover, suction inlet
- 6..... P-0648 ..... Hose
- 6..... P-8179 ..... Hose, V7325
- 6..... P-0648 ..... Hose, V7375, V7395
- 7..... P-9908 ..... Switch Knob
- 7..... P-9938 ..... Switch Knob, V7355, V7395
- 8..... P-9894 ..... Packing, suction inlet
- 9..... P-6088 ..... Dusting Brush
- 10..... P-6620 ..... Upholstery Tool
- 11..... P-6069 ..... Crevice Tool
- 12..... P-9895 ..... Telescoping Wand, V7337
- 12..... P-8180 ..... Extension Wand, w/ tabs, V7325, V7375, V7395

- 13..... P-6806
- 14..... P-7089
- 15..... P-6096
- 16..... P-1806
- 17..... P-9896
- 17..... P-7070
- 18..... P-6140
- 19..... P-9897
- 20..... P-9873
- 20..... P-0000
- 21..... P-9811
- 21..... P-6010

## Agitator Assembly

