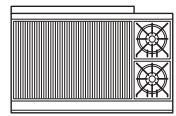
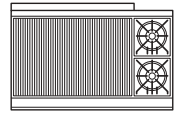


48" (1219) Gas BBQ Grills

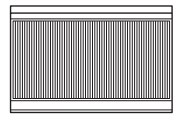
MODELS BBQ362BI / BBQ362C / BBQ48BI / BBQ48C



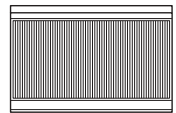
Model BBQ362BI



Model BBQ362C



Model BBQ48BI



Model BBQ48C

Stainless steel exterior finish

Porcelain coated grill grates

Rotisserie motor

Gas control knob

Pull-out drip tray

Ignition button

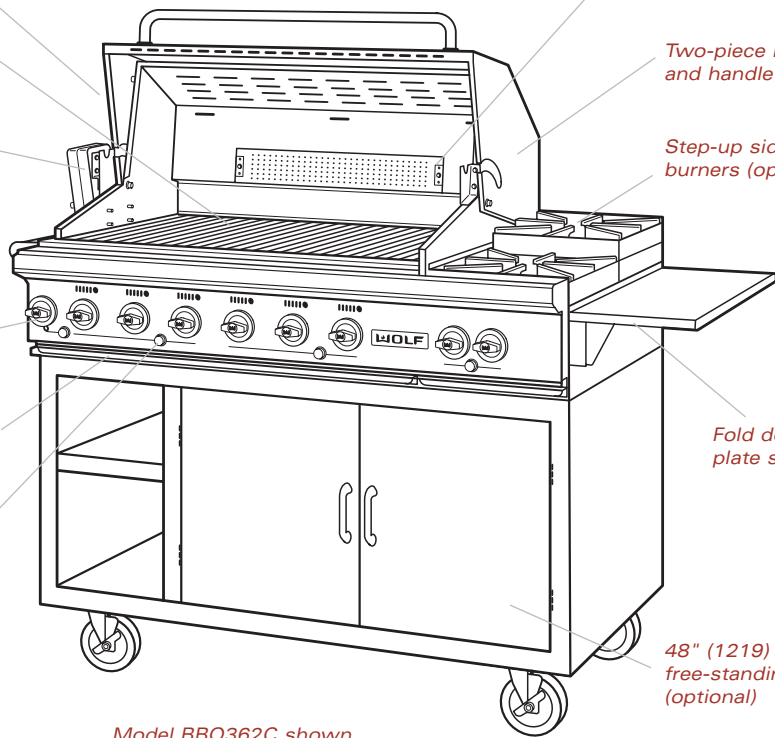
Infrared rotisserie burner

Two-piece hood and handle

Step-up side burners (optional)

Fold down plate shelf

48" (1219) free-standing cart (optional)



Model BBQ362C shown

► Wolf 48" (1219) gas BBQ grills are available in natural or LP gas. They are offered as built-in (BI) or free-standing cart (C) models. The model number followed by (-LP) denotes an LP gas model.

Cooking to our way of thinking, is every bit as much a performing art as music or theater. So here is our logic. When the symphony or the Shakespeare troupe moves outdoors for the festival season, the venue is more casual than usual, but the performance loses nothing in terms of artistry. Why can't cooking be the same way? With Wolf they are.

Wolf gas BBQ grills are, like their kitchen counterparts, precision instruments.

Let Wolf, the corporate companion and kitchen soul mate of Sub-Zero, fuel your passion for cooking.

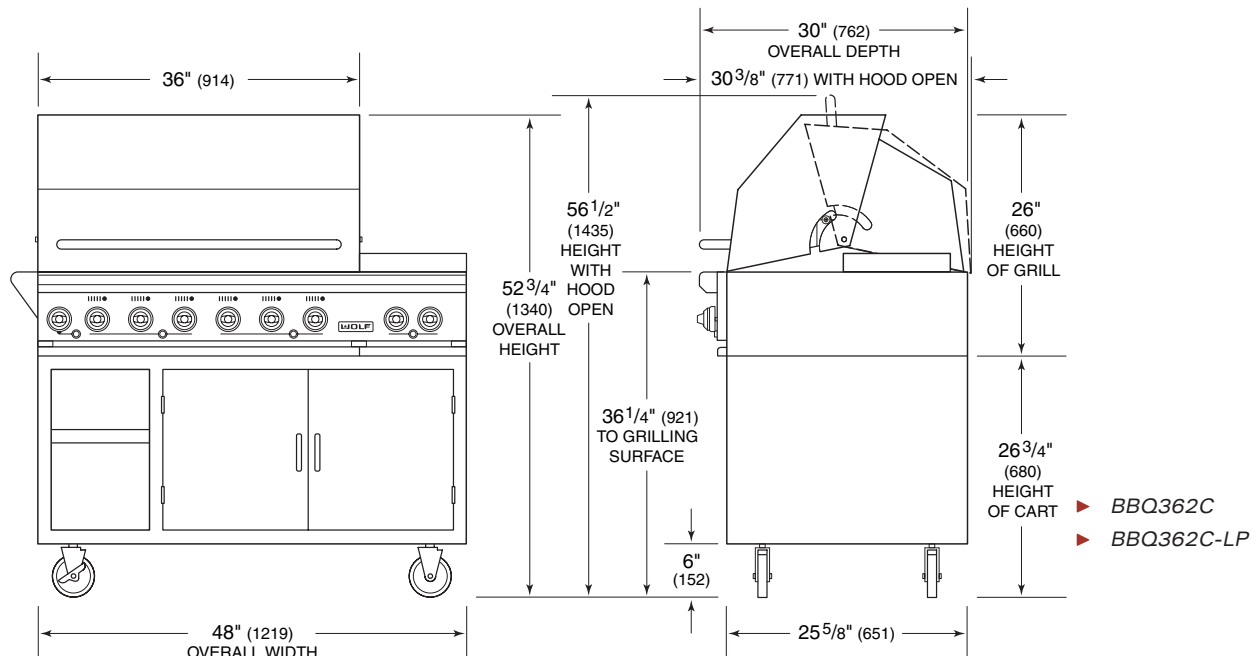
48" (1219) Gas BBQ Grills

MODELS BBQ362BI / BBQ362C / BBQ48BI / BBQ48C

FEATURES

- ▶ Natural or LP gas units
- ▶ Built-in (BI) or free-standing cart (C) models
- ▶ Heavy duty 18-gauge stainless steel construction with classic stainless steel exterior finish
- ▶ 10,000 Btu/hr (2.9 kW) stainless steel grill burners and 9000 Btu/hr (2.6 kW) infrared burners
- ▶ Optional 16,000 Btu/hr (4.7 kW) step-up cast iron side burners (Models BBQ362BI and BBQ362C)
- ▶ Push button battery powered ignition
- ▶ Cast iron porcelain coated grill grates
- ▶ New redesigned burner radiant plates
- ▶ 115-volt rotisserie motor and infrared rear rotisserie burner
- ▶ Two piece stainless steel hood and handle
- ▶ LP gas models include gas regulator, hose and 5-gallon (19 L) tank
- ▶ Heavy-duty locking swivel casters on cart models
- ▶ Scraper and protective canvas cover included
- ▶ Two and five year residential warranty, along with a limited lifetime warranty on the BBQ body and hood – exclusions apply; warranty information can be found on our website, wolfappliance.com

OVERALL DIMENSIONS ▼



Dimensions may vary by $\pm 1/8"$ (3).

Dimensions in parentheses are in millimeters unless otherwise specified.

48" (1219) Gas BBQ Grills

MODELS BBQ362BI / BBQ362C / BBQ48BI / BBQ48C

MODEL OPTIONS ▼

Built-In w/Side Burners	BBQ362BI
Cart w/Side Burners	BBQ362C
Built-In	BBQ48BI
Cart Model	BBQ48C

Natural gas models listed, for LP gas add (-LP) to the model number.

ACCESSORIES

- ▶ Insulating liner
- ▶ Black control knobs

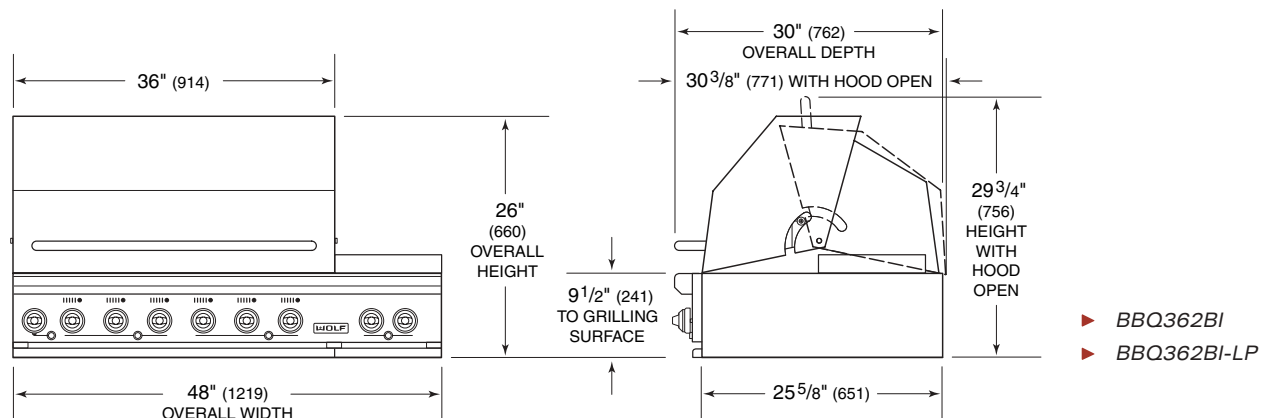
Contact your Wolf dealer for additional information on accessories.

SPECIFICATIONS ▼

Overall Grill Width	48" (1219)
Overall Grill Height	26" (660)
Overall Height (with free-standing cart)	52 ³ / ₄ " (1340)
Overall Grill Depth	30" (762)
Grill Burners – Models BBQ362BI and BBQ362C	(6) 10,000 Btu/hr (2.9 kW)
Grill Burners – Models BBQ48BI and BBQ48C	(8) 10,000 Btu/hr (2.9 kW)
Infrared Burner	9,000 Btu/hr (2.6 kW)
Side Burners – Models BBQ362BI and BBQ362C	(2) 16,000 Btu/hr (4.7 kW)
Electrical Supply Requirements	110/120 V AC, 60 Hz 15 amp dedicated circuit
Power Cord	6' (1.8 m) power cord with 3-prong grounded plug
Shipping Weight	525 lbs (238 kg) - 560 lbs (254 kg)

Specifications are subject to change without notice.

OVERALL DIMENSIONS ▼



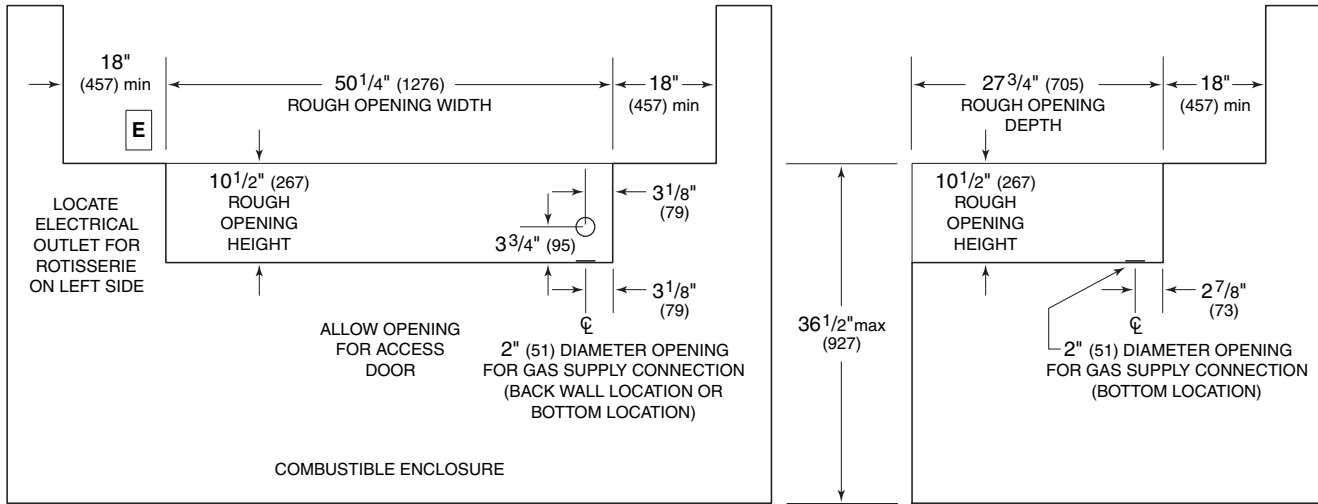
Dimensions may vary by ±1/8" (3).

Dimensions in parentheses are in millimeters unless otherwise specified.

48" (1219) Gas BBQ Grills

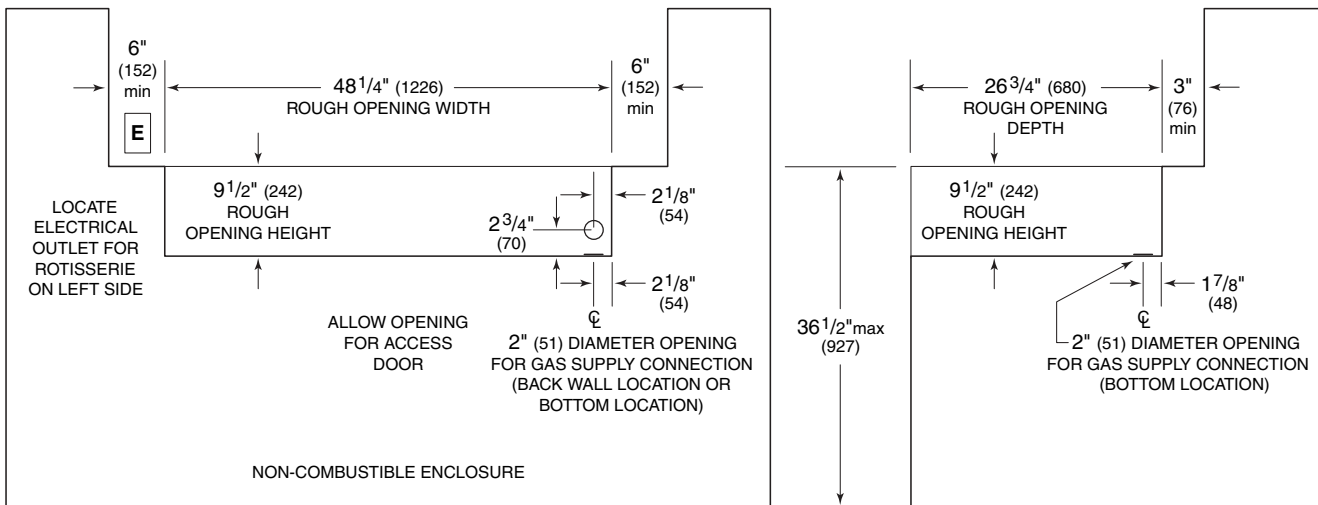
MODELS BBQ362BI / BBQ362C / BBQ48BI / BBQ48C

INSTALLATION IN COMBUSTIBLE ENCLOSURE



NOTE: Dimensions include insulated liner.

INSTALLATION IN NON-COMBUSTIBLE ENCLOSURE



DIMENSIONS

Rough Opening Width (combustible enclosure)	50 1/4" (1276)
Rough Opening Width (non-combustible enclosure)	48 1/4" (1226)
Rough Opening Depth (combustible enclosure)	27 3/4" (705)
Rough Opening Depth (non-combustible enclosure)	26 3/4" (679)

See Installation Instructions shipped with unit for detailed specifications.

48" (1219) Gas BBQ Grills

MODELS BBQ362BI / BBQ362C / BBQ48BI / BBQ48C

INSTALLATION NOTES

▶ Refer to the illustrations and specifications for overall dimensions, finished rough opening dimensions and installation specifics.

IMPORTANT NOTE: Safe and satisfactory operation of your Wolf gas BBQ grill depends upon its proper use and installation. Minimum clearances to combustible surfaces must be observed. Be certain the appliance is properly grounded to avoid shock hazard.

- ▶ The Wolf gas BBQ grill must be specified natural or LP gas at the time of order. The gas type cannot be converted.
- ▶ When choosing a portable site for your Wolf gas BBQ grill, always maintain a minimum clearance of 24" (610) from all four sides of the grill to any combustible surface.
- ▶ When choosing a permanent built-in location for your Wolf gas BBQ grill, maintain minimum clearances to combustible surfaces as shown in the Installation illustration.

IMPORTANT NOTE: In all instances, you must allow for an adequate supply of fresh air for proper combustion and ventilation. Never locate the grill in an enclosed area.

- ▶ The Wolf gas BBQ grill is designed for easy placement into a built-in enclosure. For a combustible enclosure, use the Wolf approved insulated jacket and maintain minimum clearances to combustible surfaces as shown in the Installation illustration on page 4.
- ▶ Built-in installations require a deck to support the bottom. The supporting deck and counter should be level and strong enough to support 400 lbs (181 kg).

▶ The Wolf gas BBQ grill requires a 110/120 V electrical supply to operate the rotisserie motor. The 6' (1.8 m) power supply cord provided with the grill is equipped with a 3-prong, grounded plug for protection against shock hazard. The service should have its own 15 amp circuit breaker.

IMPORTANT NOTE: A ground fault circuit interrupter (GFCI) is not recommended and may cause interruption of operation.

- ▶ Wolf gas BBQ grills are designed to operate on natural gas at 5" (127) WC (water column) pressure or LP gas at 10" (254) WC pressure. The maximum gas supply pressure to the regulator should never exceed 14" (356) WC; .5 psi (3.5 kPa).
 - ▶ Wolf recommends the use of a 1/2" (13) I.D. commercial type flex hose; this is the minimum size that may be used. All plumbing to the flex hose must be 3/4" (19) minimum I.D. pipe.
- IMPORTANT NOTE:** A separate external gas shut-off valve must be located near the grill in an accessible location.
- ▶ The Wolf gas BBQ grill functions up to 6000' (1828 m) in altitude without any adjustment. If the installation is above 6000' (1828 m), contact your Wolf dealer.
 - ▶ You must follow all National Electrical Code and gas regulations. In addition, be aware of local codes and ordinances when installing your services.
 - ▶ Refer to the installation instructions shipped with each Wolf product for detailed specifications.