

This Owner's Manual is provided and hosted by [Appliance Factory Parts](#).



Wolf BBQ242 C Owner's Manual

[Shop genuine replacement parts for Wolf BBQ242 C](#)



[Find Your Wolf Grill Parts - Select From 64 Models](#)

----- Manual continues below -----



36" Outdoor Gas Grill

Wolf outdoor grills are, like their kitchen counterparts, precision instruments. Constructed of heavy-duty stainless steel, the Wolf 36" outdoor gas grill is available built in or as a freestanding grill cart. Features include an electric rotisserie; an infrared rear burner for precise, consistent grilling; and side burners for warming sauces and preparing side dishes. Welcome to high-performance cooking al fresco.



Model BBQ36BI shown.

Features

- Natural or LP gas models
- Built-in (BI) or freestanding cart (C) models
- Heavy-duty, 18-gauge stainless steel construction with classic stainless steel exterior finish
- Push-button, battery-powered ignition
- Individually controlled 10,000 Btu/hr stainless steel grill burners and 9,000 Btu/hr infrared rotisserie burner—8,000 Btu/hr for Models BBQ242BI and BBQ242C
- Optional 16,000 Btu/hr step-up cast iron side burners
- Cast iron porcelain-coated grill grates
- Redesigned burner radiant plates
- 115-volt rotisserie motor and infrared rear rotisserie burner
- Two-piece stainless steel hood and handle
- LP gas models include gas regulator, hose and 5-gallon tank
- Heavy-duty locking swivel casters on cart models
- Scraper and protective canvas cover included



Side Burners



Black Control Knobs

Model Options

Model Options	BBQ242BI	BBQ36BI	BBQ242C	BBQ36C
Built-In or Freestanding Cart	Built-In	Built-In	Cart	Cart
Grill Burners – 10,000 Btu/hr	4	6	4	6
Infrared Burner – 8,000 Btu/hr	■		■	
Infrared Burner – 9,000 Btu/hr		■		■
Optional Side Burners – 16,000 Btu/hr	2		2	

Model numbers are for natural gas outdoor grills, add (-LP) to the model number for LP gas.

Accessories

- Insulating liner for built-in applications
- Black control knobs—red knobs included with grill

Accessories are available through your Wolf dealer. To obtain local dealer information, visit the Showroom Locator section of our website, wolfappliance.com.

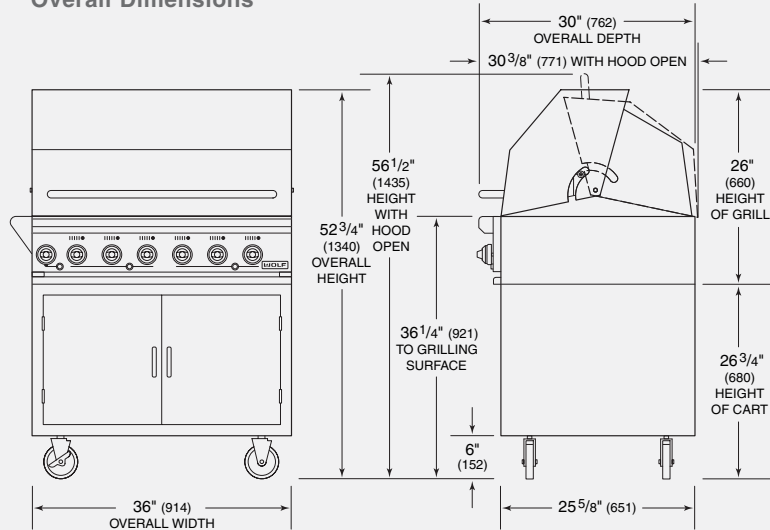


Model BBQ36C shown.



36" Outdoor Gas Grill

Overall Dimensions



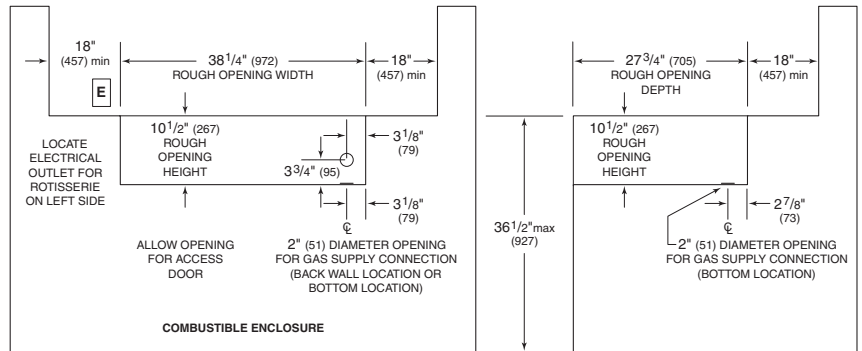
Model BBQ36C shown.
Unit dimensions may vary by $\pm 1/8$ ".

Specifications

Exterior Finish	Classic Stainless Steel
Overall Width	36"
Overall Height	
(BI) Models	26"
(C) Models	52 ³ / ₄ "
Overall Depth	30"
Combustible Enclosure	
Opening Width	38 ¹ / ₄ "
Opening Depth	27 ³ / ₄ "
Non-Combustible Enclosure	
Opening Width	36 ¹ / ₄ "
Opening Depth	26 ³ / ₄ "
Electrical Requirements	110/120 V AC 60 Hz, 15 amp circuit
Power Cord	9' cord with grounded plug
Shipping Weight	340–460 lbs

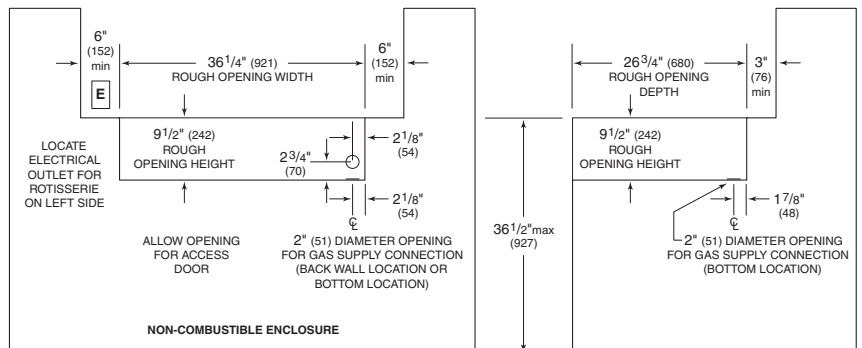
Installation Specifications—Built-In (BI) Models

Combustible Enclosure



NOTE: Dimensions include insulated liner.

Non-Combustible Enclosure



Installation Notes

The Wolf outdoor gas grill is designed for easy placement into a built-in enclosure. Be sure to maintain the minimum clearances shown in the illustrations.

Complete installation specifications can be found on our website, wolfappliance.com.

Dimensions in parentheses are in millimeters unless otherwise specified.