



## 36" Outdoor Gas Grill

Wolf outdoor grills are, like their kitchen counterparts, precision instruments. Constructed of heavy-duty stainless steel, the Wolf 36" outdoor gas grill is available built in or as a freestanding grill cart. Features include an electric rotisserie; an infrared rear burner for precise, consistent grilling; and side burners for warming sauces and preparing side dishes. Welcome to high-performance cooking al fresco.



Model BBQ36BI shown.

### Features

- Natural or LP gas models
- Built-in (BI) or freestanding cart (C) models
- Heavy-duty, 18-gauge stainless steel construction with classic stainless steel exterior finish
- Push-button, battery-powered ignition
- Individually controlled 10,000 Btu/hr stainless steel grill burners and 9,000 Btu/hr infrared rotisserie burner—8,000 Btu/hr for Models BBQ242BI and BBQ242C
- Optional 16,000 Btu/hr step-up cast iron side burners
- Cast iron porcelain-coated grill grates
- Redesigned burner radiant plates
- 115-volt rotisserie motor and infrared rear rotisserie burner
- Two-piece stainless steel hood and handle
- LP gas models include gas regulator, hose and 5-gallon tank
- Heavy-duty locking swivel casters on cart models
- Scraper and protective canvas cover included



Side Burners



Black Control Knobs

Model Options	BBQ242BI	BBQ36BI	BBQ242C	BBQ36C
Built-In or Freestanding Cart	Built-In	Built-In	Cart	Cart
Grill Burners – 10,000 Btu/hr	4	6	4	6
Infrared Burner – 8,000 Btu/hr	■		■	
Infrared Burner – 9,000 Btu/hr		■		■
Optional Side Burners – 16,000 Btu/hr	2		2	

Model numbers are for natural gas outdoor grills, add (-LP) to the model number for LP gas.

### Accessories

- Insulating liner for built-in applications
- Black control knobs—red knobs included with grill

Accessories are available through your Wolf dealer. To obtain local dealer information, visit the Showroom Locator section of our website, [wolfappliance.com](http://wolfappliance.com).

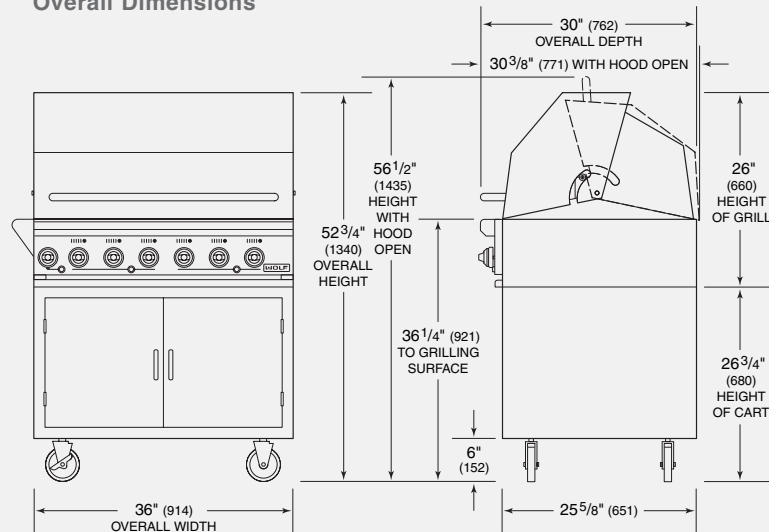


Model BBQ36C shown.



## 36" Outdoor Gas Grill

### Overall Dimensions



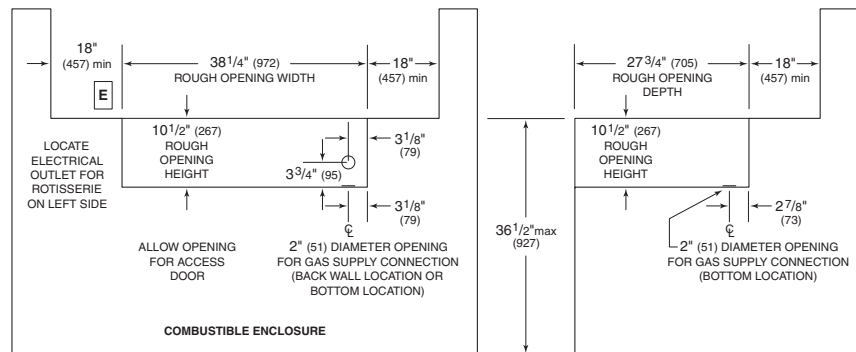
Model BBQ36C shown.  
Unit dimensions may vary by  $\pm 1/8$ ".

### Specifications

Exterior Finish	Classic Stainless Steel
Overall Width	36"
Overall Height	
(BI) Models	26"
(C) Models	52 <sup>3</sup> / <sub>4</sub> "
Overall Depth	30"
Combustible Enclosure	
Opening Width	38 <sup>1</sup> / <sub>4</sub> "
Opening Depth	27 <sup>3</sup> / <sub>4</sub> "
Non-Combustible Enclosure	
Opening Width	36 <sup>1</sup> / <sub>4</sub> "
Opening Depth	26 <sup>3</sup> / <sub>4</sub> "
Electrical Requirements	110/120 V AC 60 Hz, 15 amp circuit
Power Cord	9' cord with grounded plug
Shipping Weight	340–460 lbs

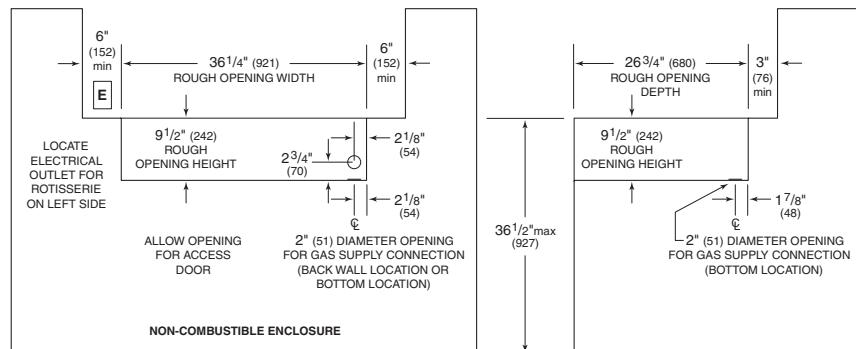
### Installation Specifications—Built-In (BI) Models

#### Combustible Enclosure



NOTE: Dimensions include insulated liner.

#### Non-Combustible Enclosure



### Installation Notes

The Wolf outdoor gas grill is designed for easy placement into a built-in enclosure. Be sure to maintain the minimum clearances shown in the illustrations.

Complete installation specifications can be found on our website, [wolfappliance.com](http://wolfappliance.com).

Dimensions in parentheses are in millimeters unless otherwise specified.