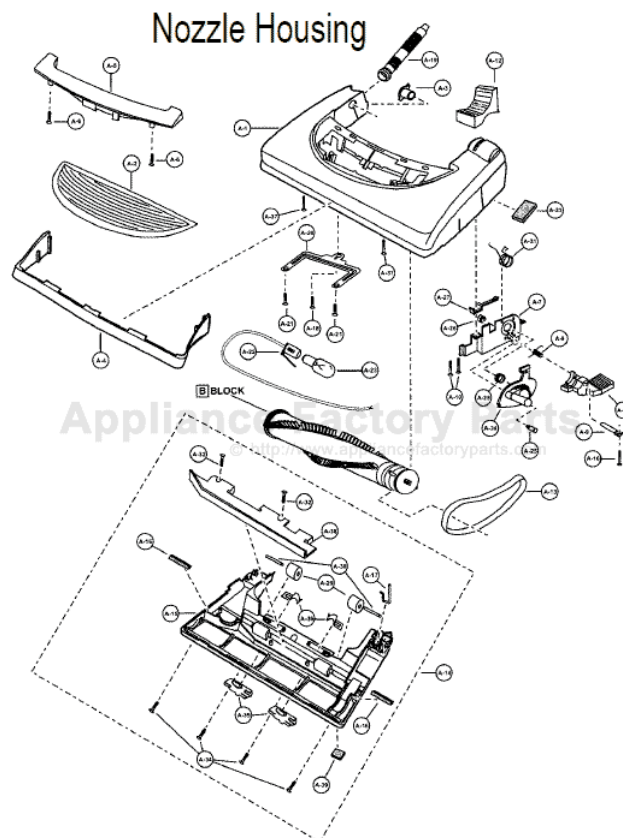


This Owner's Manual is provided and hosted by [Appliance Factory Parts](http://www.appliancefactoryparts.com).



PANASONIC V7368 Owner's Manual

[Shop genuine replacement parts for PANASONIC
V7368](#)



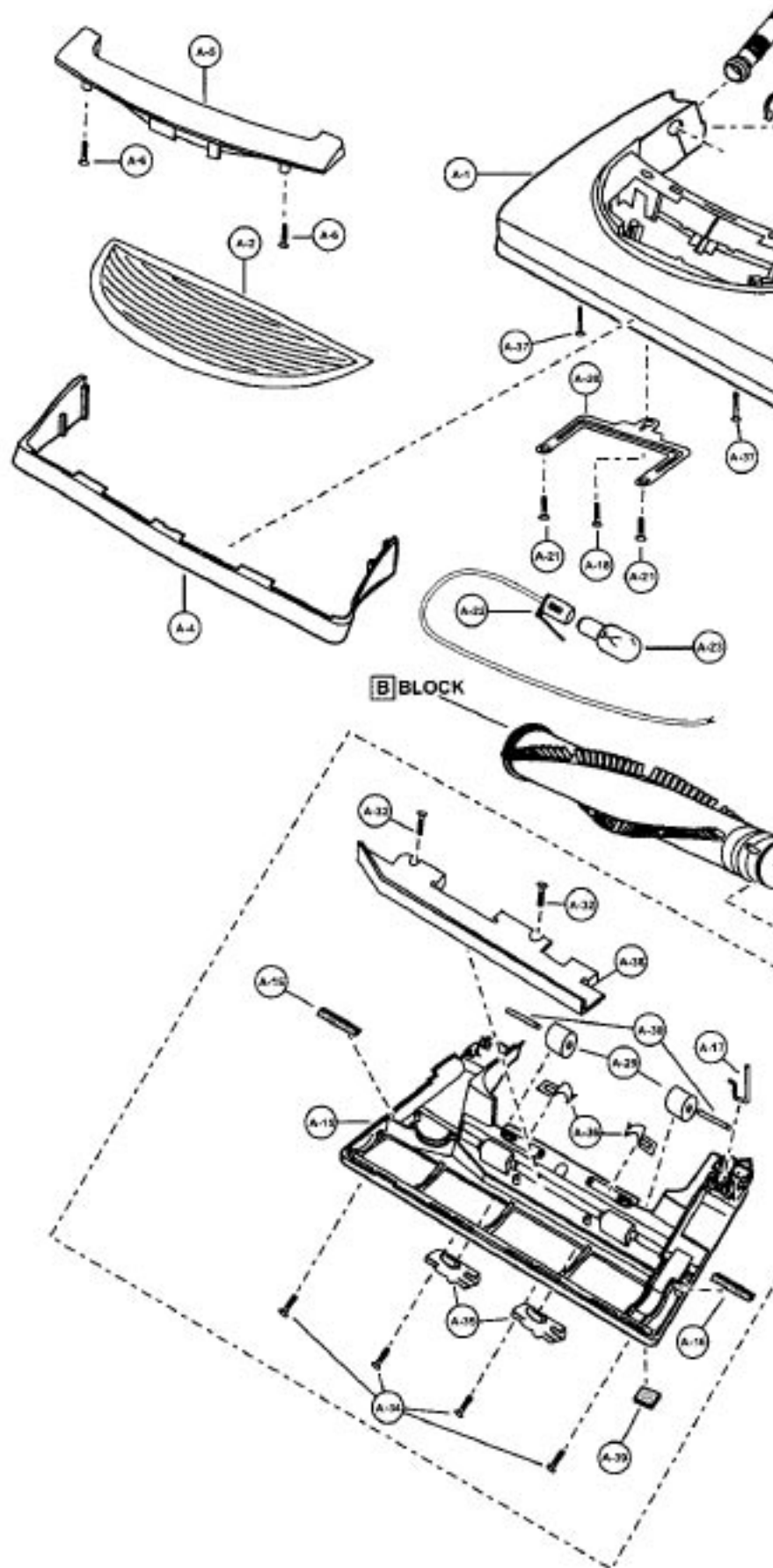
[Find Your PANASONIC Vacuum Cleaner Parts - Select From 605 Models](#)

----- Manual continues below -----

Models: MC-V7368

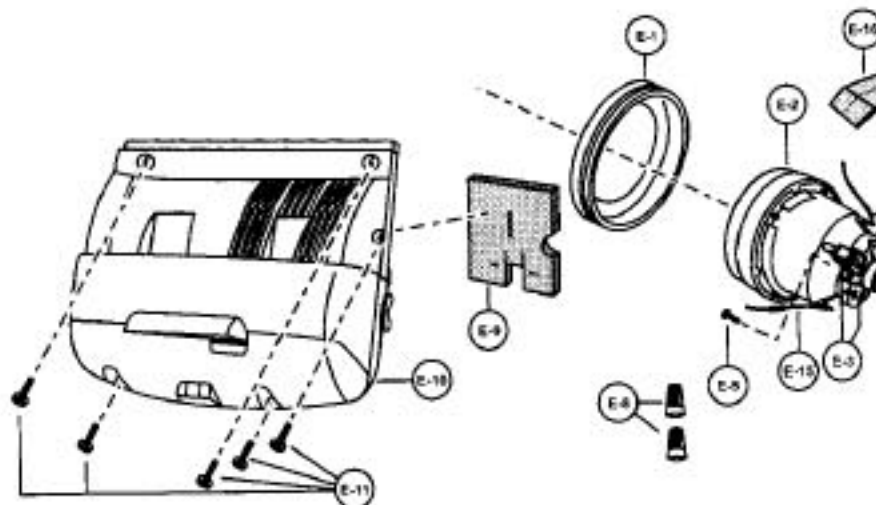
Nozzle Housing

- | | | |
|---------|---------------|--|
| 1..... | P-10919..... | Nozzle housing |
| 2..... | P-9854..... | Window |
| 3..... | P-10819..... | Shaft, plastic |
| 4..... | P-10351..... | Furniture guard |
| 5..... | P-10920..... | Light cover |
| 6..... | P-8172..... | Screw, light cover |
| 7..... | P-111251..... | Frame |
| 8..... | P-9857..... | Spring, pedal |
| 9..... | P-513..... | Shaft, pedal |
| 10..... | P-02181..... | Screw, pedal/frame
assembly |
| 11..... | P-4720..... | Pedal, black |
| 12..... | P-9880..... | Foot pedal cover |
| 13..... | P-00181..... | Belt, flat |
| 14..... | P-10672..... | Lower plate assembly |
| 15..... | P-10681..... | Lower plate |
| 16..... | P-10394..... | Packing, lower plate/
body, lower plate |
| 17..... | P-9861..... | Belt cover |
| 18..... | P-6800..... | Screw, slider support |
| 19..... | P-9862..... | Nozzle house |
| 20..... | P-10353..... | Slider support |
| 21..... | P-6140..... | Screw, slider support |
| 22..... | P-7550..... | Bulb |
| 23..... | P-111252..... | Pedal gear assembly |
| 24..... | P-111252..... | Pedal gear assembly |
| 25..... | P-9884..... | Shoulder screw |
| 26..... | P-9885..... | Nut/lock washer |
| 27..... | P-02183..... | Spring, foot gear
assembly |
| 28..... | P-9887..... | Spring, pedal gear
assembly |
| 29..... | P-9888..... | Wheel |
| 30..... | P-10357..... | Shaft, wheel |
| 31..... | P-02184..... | Spring, shifter return |
| 32..... | P-6140..... | Screw, body/lower
plate |
| 33..... | P-98103..... | Packing, nozzle |
| 34..... | P-98104..... | Screw, metal lower
plate |
| 35..... | P-2444..... | Latch, lower plate |
| 36..... | P-9846..... | Spring, stop latch |
| 37..... | P-683..... | Screw, nozzle housing,
for latch |
| 38..... | P-9766..... | Body, lower plate |
| 39..... | P-10715..... | Packing, dirt guard |

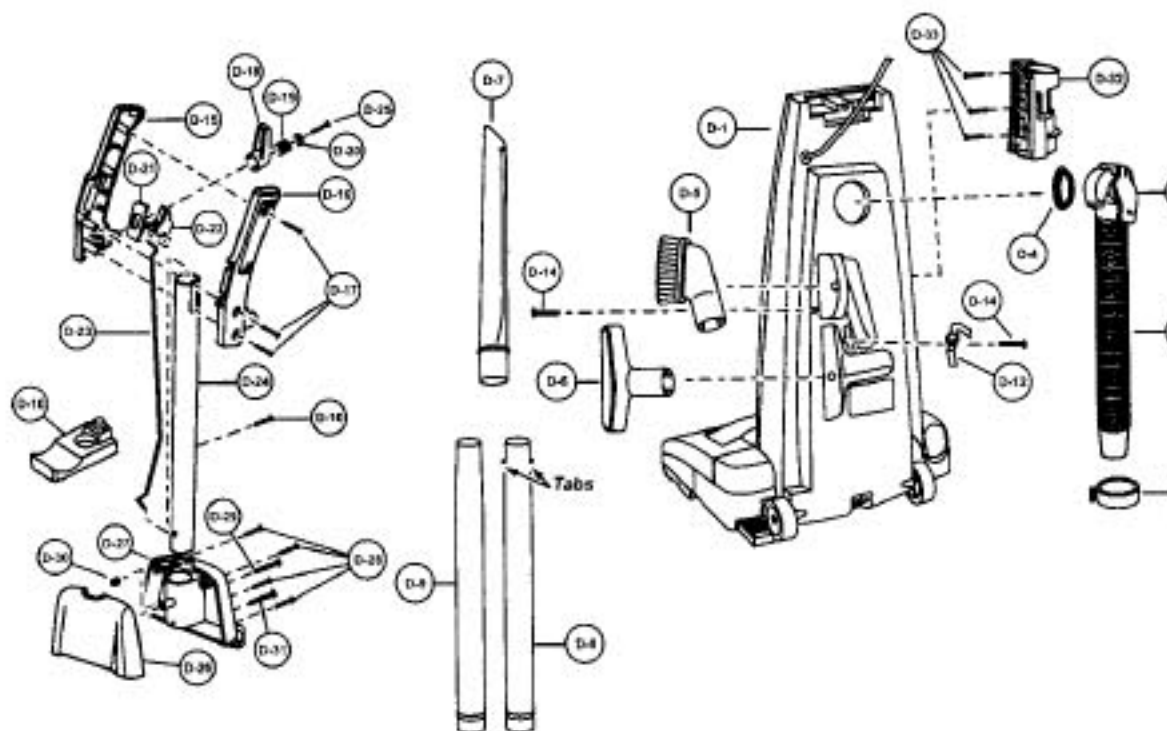


Motor Case and Motor

- | | | |
|---------|---------------|------------------------------|
| 1..... | P-0293..... | Motor support rubber, front |
| 2..... | P-10933..... | Fan motor unit |
| 3..... | P-8182..... | Carbon brush assembly |
| 4..... | P-10690..... | Screw, flange |
| 5..... | P-9823..... | Screw, carbon brush assembly |
| 6..... | P-9911..... | Motor support rubber, rear |
| 7..... | P-10670..... | Noise suppressor |
| 8..... | P-000623..... | Wire connector |
| 9..... | P-9874..... | Packing, rear cover |
| 10..... | P-10934..... | Motor case |
| 11..... | P-8172..... | Screw, motor case |
| 12..... | P-8184..... | Ring spacer |
| 13..... | P-9960..... | Flange |
| 14..... | P-10712..... | Lead wire |
| 15..... | P-10688..... | Lead wire assembly |
| 16..... | P-10649..... | Coiling guide |



Handle Assembly and Rear Dust Compartment

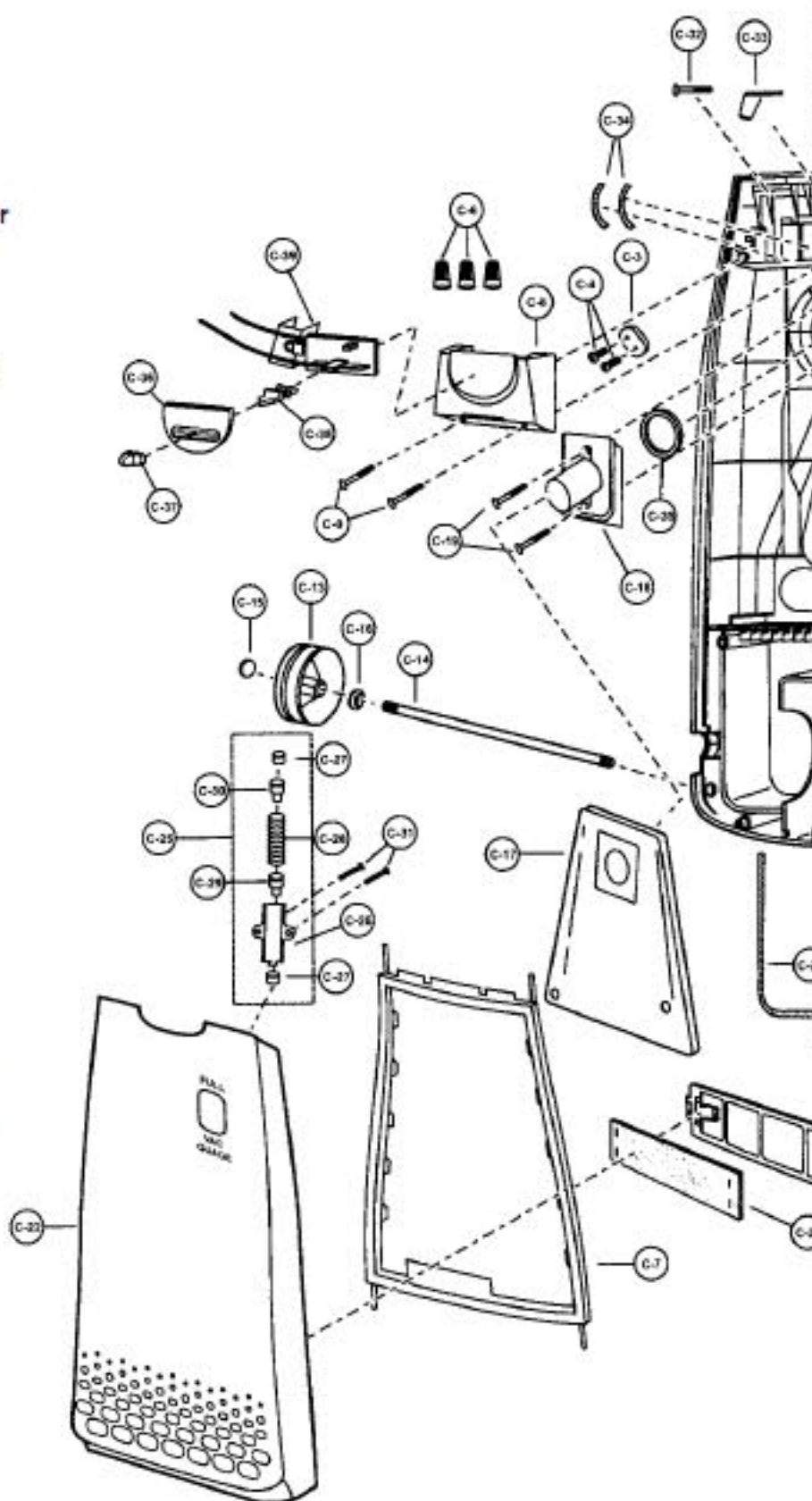


- | | | |
|--------|--------------|------------------------|
| 1..... | P-40507..... | Dust compartment |
| 2..... | P-8972..... | Cover, suction inlet |
| 3..... | P-10436..... | Hose |
| 4..... | P-10512..... | Packing, suction inlet |
| 5..... | P-6088..... | Dusting brush |

- | | | |
|---------|-------------|---|
| 18..... | P-9819..... | U |
| 19..... | P-7670..... | S |
| 20..... | P-587..... | W |
| 21..... | P-9820..... | W |
| 22..... | P-9821..... | K |

Body

1.....	P-40507.....	Dust compartment
2.....	P-0696.....	On-off switch
3.....	P-0698.....	Cord stopper
4.....	P-6140.....	Screw, cord-stopper
5.....	P-10717.....	Power cord
6.....	P-000623.....	Wire connector
7.....	P-10925.....	Packing, dust container
8.....	P-10926.....	Switch cover
9.....	P-6140.....	Screw, switch cover
10.....	P-9892.....	Lead wire, black
11.....	P-9893.....	Filter supporter
12.....	P-7023.....	Secondary filter, foam
13.....	P-0114.....	Wheel
14.....	P-16005.....	Shaft, wheel
15.....	P-74009.....	Stopper, wheel
16.....	P-6115.....	Washer, wheel
17.....	P-145M.....	Dust bag, type U6
18.....	P-10358.....	Bag supporter
19.....	P-6140.....	Screw, bag supporter
20.....	P-10697.....	Packing, right
21.....	P-10698.....	Packing, left
22.....	P-10927.....	Dust cover
23.....	P-3820.....	Wire cord
24.....	P-10928.....	Exhaust filter, HEPA
25.....	P-10718.....	Indicator assembly
26.....	P-98109.....	Body, indicator
27.....	P-9300.....	Packing, indicator
28.....	P-10400.....	Spring, indicator
29.....	P-000149.....	Lead, indicator
30.....	P-000147.....	Cap, indicator
31.....	P-4104.....	Screw, indicator
32.....	P-6800.....	Screw, on-off switch
33.....	P-0701.....	Switch lever
34.....	P-811105.....	Tight packing
35.....	P-10719.....	Packing, suction inlet
36.....	P-MCV193H.....	Ornamental plate
37.....	P-10929.....	Button
38.....	P-10930.....	Slider
39.....	P-10931.....	PCB assembly with heatsink



Agitator Assembly

1.....	P-10922.....	Agitator Assembly
--------	--------------	-------------------

