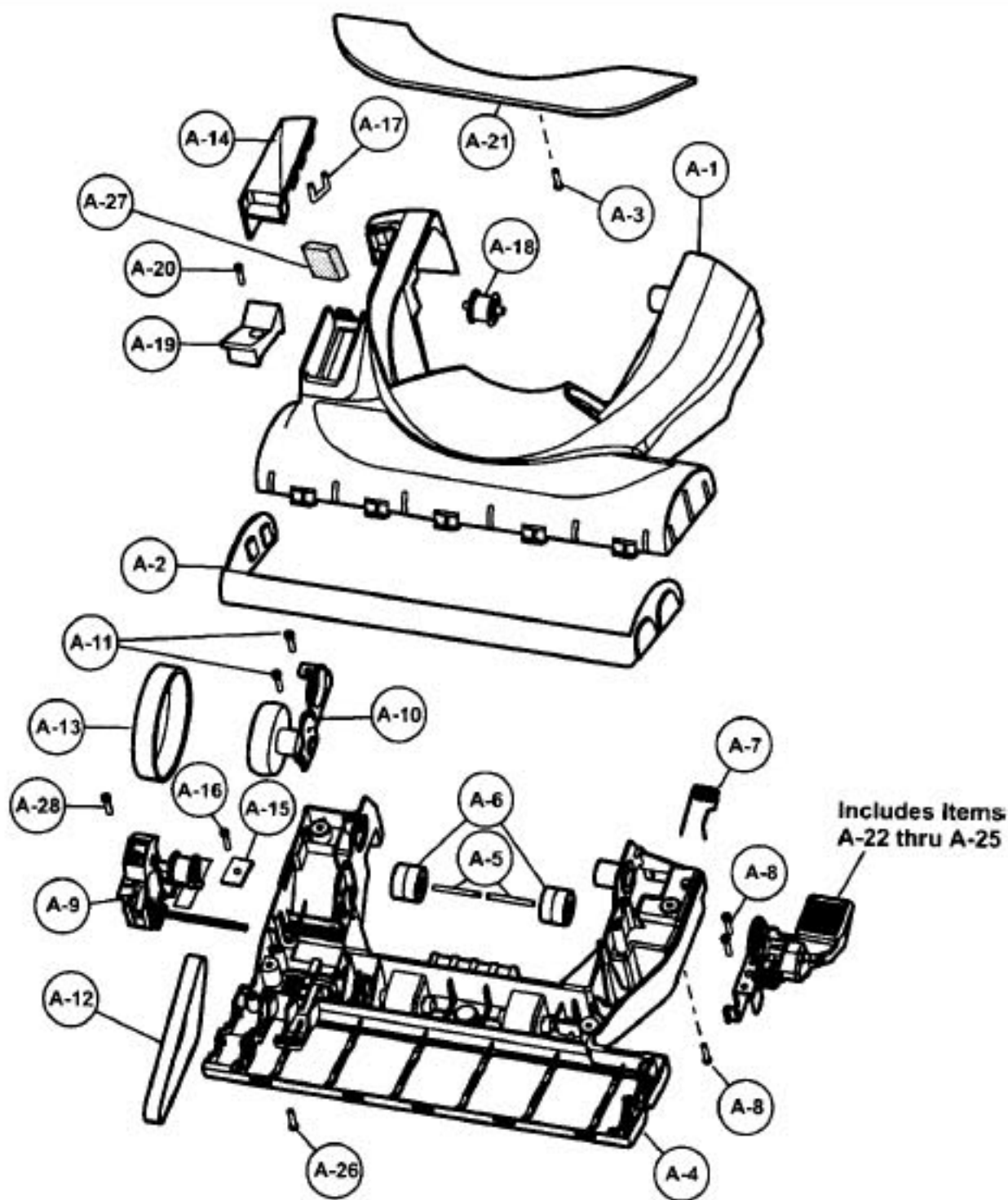


Models: MC-V7501/7505/7515

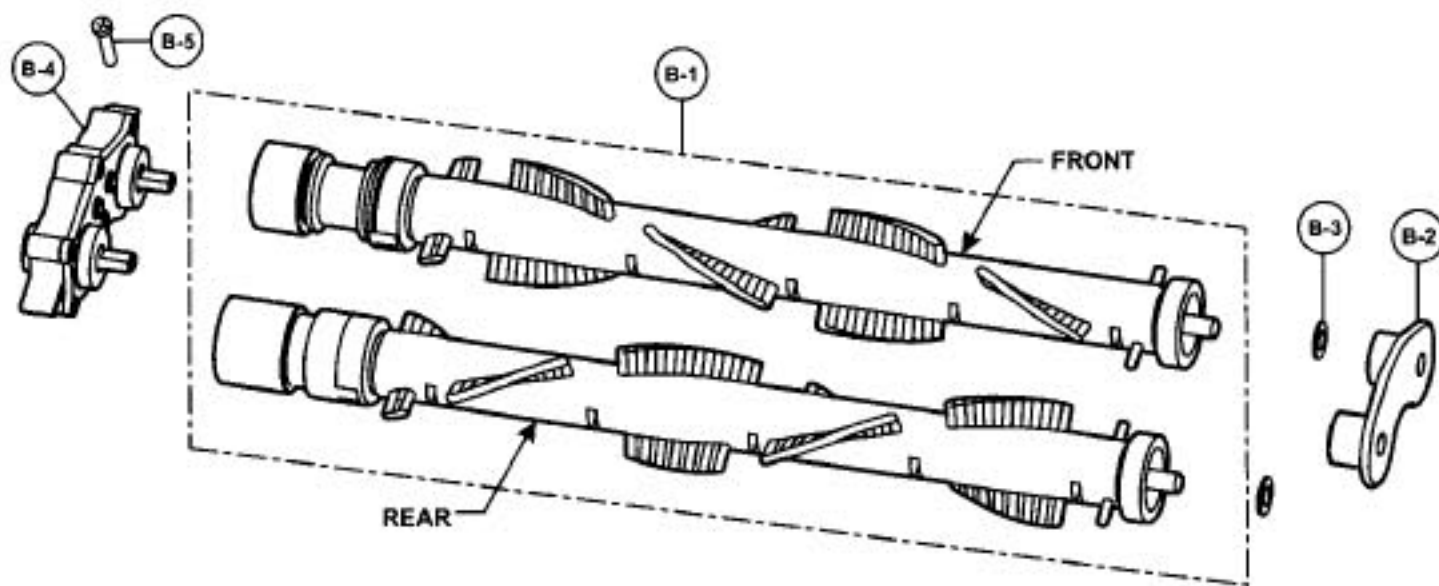
## Nozzle Housing

- |    |          |                                       |
|----|----------|---------------------------------------|
| 1  | P-10893  | Nozzle Housing                        |
|    | P-11166  | Nozzle Housing, 7501                  |
|    | P-111307 | Nozzle Housing, 7515                  |
| 2  | P-10894  | Furniture Guard                       |
| 3  | P-6140   | Screw, window                         |
| 4  | P-10895  | Lower plate                           |
|    | P-27005  | Lower plate, 7515                     |
| 5  | P-10357  | Shaft roller                          |
| 6  | P-9888   | Roller, nozzle                        |
| 7  | P-10896  | Spring, lower plate                   |
| 8  | P-6140   | Screw, handle release assembly        |
| 9  | P-10897  | Tensioner assembly                    |
|    | P-11167  | Tensioner assembly, 7501              |
| 10 | P-10898  | Idler unit assembly                   |
|    | P-11168  | Idler unit assembly, 7501/7515        |
| 11 | P-6140   | Screw, idler unit assembly            |
| 12 | P-11198  | Flat belt                             |
|    | P-11169  | Flat belt, 7501/7515                  |
| 13 | P-000506 | Stretch belt                          |
|    | P-11170  | Stretch belt, 7501/7515               |
| 14 | P-10899  | Cover, belt, 7505/7515                |
|    | P-11171  | Cover, belt, 7501                     |
| 15 | P-11199  | Holder, pin                           |
|    | P-11172  | Holder, pin, 7501/7515                |
| 16 | P-6140   | Screw, pin holder                     |
| 17 | P-43     | Belt guide                            |
| 18 | P-10886  | Pulley, idler                         |
| 19 | P-10887  | Pedal, bare floor                     |
| 20 | P-10888  | Screw, bare floor                     |
| 21 | P-10889  | Window, agitator                      |
| 22 | P-000095 | Frame, handle release assembly        |
| 23 | P-4720   | Pedal, handle release assembly        |
| 24 | P-00051  | Pedal shaft, handle release assembly  |
| 25 | P-9857   | Pedal spring, handle release assembly |
| 26 | P-6140   | Screw, lower plate                    |
| 27 | P-11173  | Packing, nozzle, 7501                 |
| 28 | P-6140   | Screw, tensioner assembly, 7501       |



## Agitator Assembly

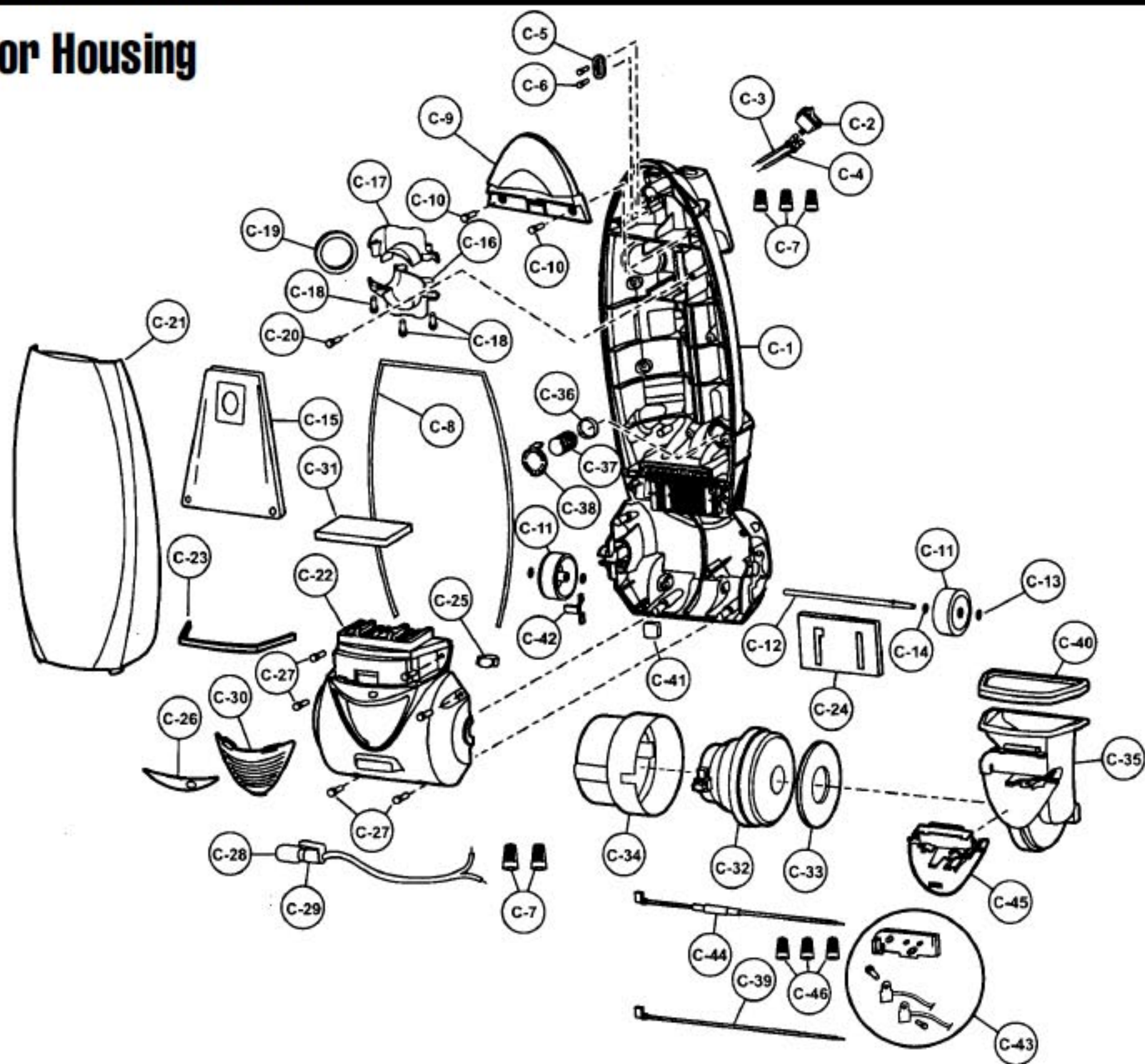
- |   |          |                         |
|---|----------|-------------------------|
| 1 | P-10890  | Agitator Assembly       |
|   | P-111306 | Agitator Assembly, 7515 |
| 2 | P-10891  | Bearing unit            |
| 3 | P-0030   | Washer                  |
| 4 | P-10892  | Gear box                |
| 5 | P-6140   | Screw, gear box         |





Models: MC-V7501/7505/7515

## Motor Housing

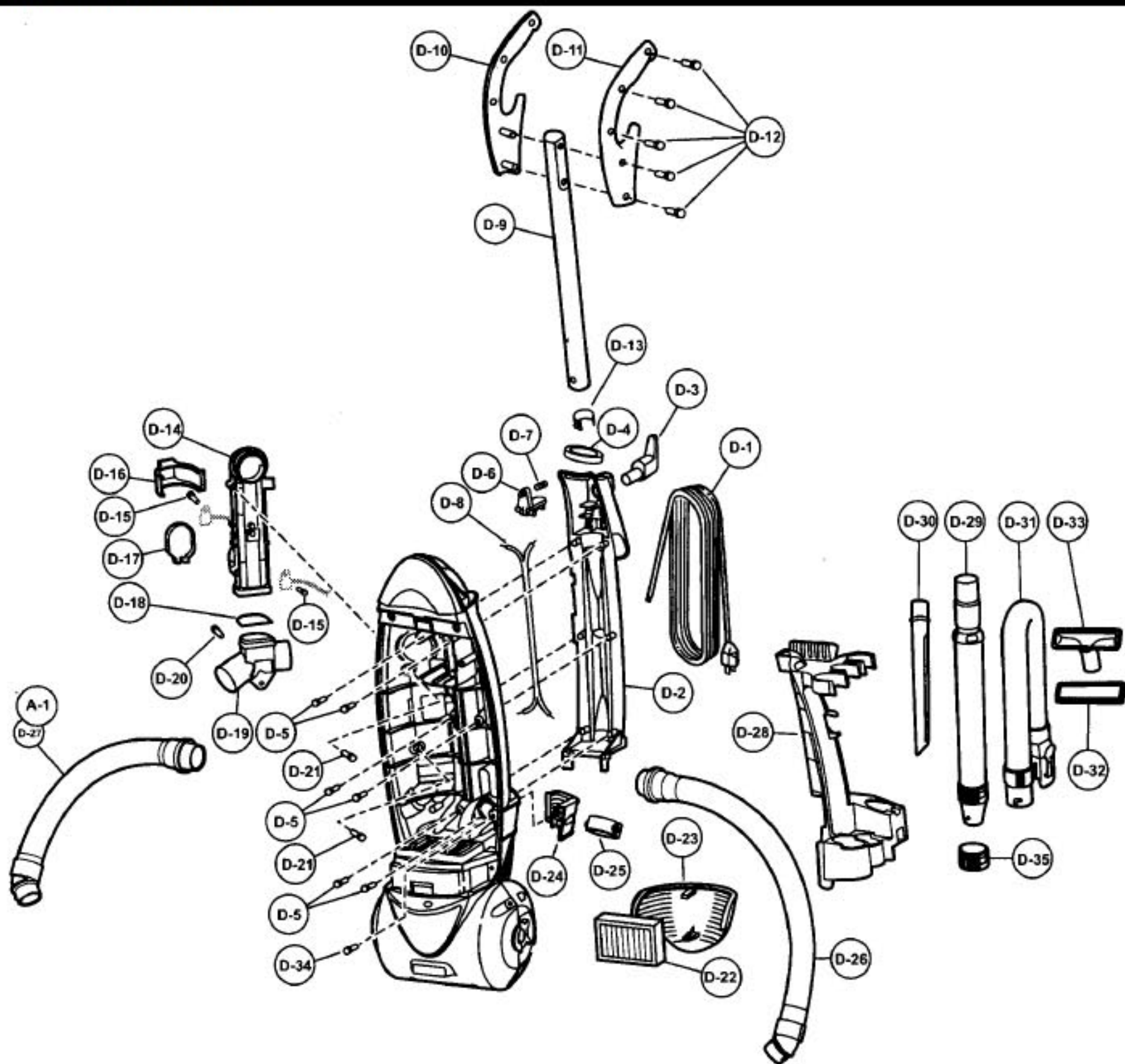


- |   |  |  |
|---|--|--|
| 1 ..... P-10900 ..... Dust compartment unit               | 17 ..... P-10905 ..... Bag supporter, top    | P-11184 ..... Secondary filter, 7501/7515                |
| 2 ..... P-10602 ..... ON/OFF switch                       | 18 ..... P-6140 ..... Screw, bag supporter   | 32 ..... P-10952 ..... Fan motor unit                    |
| 3 ..... P-11200 ..... Lead wire, black                    | 19 ..... P-10906 ..... Packing, air outlet   | 33 ..... P-10953 ..... Seal, fan motor                   |
| P-11178 ..... Lead wire, black, 7501/7515                 | P-10512 ..... Packing, air outlet, 7501      | 34 ..... P-10954 ..... Motor support, rear               |
| 4 ..... P-11201 ..... Lead wire, black with receptacle    | 20 ..... P-6140 ..... Screw, bag supporter   | P-11185 ..... Motor support, rear, 7501                  |
| P-11177 ..... Lead wire, black with receptacle, 7501/7515 | P-10905 ..... Screw, bag supporter, 7515     | 35 ..... P-10955 ..... Motor support, front              |
| 5 ..... P-0698 ..... Cord stopper, 7505/7515              | 21 ..... P-10838 ..... Dust cover            | 36 ..... P-10730 ..... Protector                         |
| P-10870 ..... Cord stopper, 7501                          | P-10908 ..... Dust cover, 7515               | P-10776 ..... Protector, 7501/7515                       |
| 6 ..... P-6140 ..... Screw, cord stopper                  | P-11180 ..... Dust cover, 7501               | 37 ..... P-11209 ..... Spring, protector                 |
| 7 ..... P-000623 ..... Wire connectors                    | 22 ..... P-10909 ..... Motor case            | P-11186 ..... Spring, protector, 7501/7515               |
| 8 ..... P-10901 ..... Packing, dust container             | P-11181 ..... Motor case, 7501               | 38 ..... P-10661 ..... Cover, protector                  |
| 9 ..... P-10902 ..... Switch cover                        | 23 ..... P-10910 ..... Seal, motor case      | 39 ..... P-10956 ..... Lead wire, motor                  |
| P-11179 ..... Switch cover, 7501                          | 24 ..... P-10911 ..... Packing, rear cover   | 40 ..... P-10957 ..... Suction seal                      |
| 10 ..... P-6140 ..... Screw, switch cover                 | P-11182 ..... Packing, rear cover, 7501/7515 | 41 ..... P-10958 ..... Sound absorber                    |
| 11 ..... P-0062 ..... Wheel, 7505/7515                    | 25 ..... P-10912 ..... LED lens              | 42 ..... P-10959 ..... Plastic holder                    |
| P-111315 ..... Wheel, 7501                                | 26 ..... P-11188 ..... Ornamental plate      | P-7805 ..... Plastic holder, 7501/7515                   |
| 12 ..... P-10903 ..... Shaft, wheel                       | P-11189 ..... Ornamental plate, 7515         | 43 ..... P-10960 ..... PCB Assembly                      |
| 13 ..... P-74009 ..... Stopper, wheel                     | 27 ..... P-6140 ..... Screw, motor case      | 44 ..... P-10520 ..... Lead wire, fuse assembly, motor   |
| 14 ..... P-6115 ..... Washer, wheel                       | P-10904 ..... Screw, motor case, 7515        | P-10848 ..... Lead wire, fuse assembly, motor, 7501/7515 |
| 15 ..... P-145M ..... Dust bag, type U6                   | 28 ..... P-7550 ..... Bulb                   | 45 ..... P-10961 ..... Bulb, holder                      |
| P-10969 ..... Dust bag, type U6, 7501                     | 29 ..... P-11202 ..... Bulb socket           | 46 ..... P-111256 ..... Connector, wire                  |
| 16 ..... P-10904 ..... Bag supporter, bottom              | P-11183 ..... Bulb socket, 7501              |  |
| P-10594 ..... Bag supporter, 7501                         | 30 ..... P-10951 ..... Window                |  |
|   | 31 ..... P-11203 ..... Secondary filter      |  |



Models: MC-V7501/7505/7515

## Body



1	P-10935	Power cord
	P-10802	Power cord, 7515
2	P-10936	Handle cover
3	P-7035	Upper storage cord hook
4	P-10937	Handle seal
5	P-6140	Screw, handle cover
6	P-10938	Handle button unit
7	P-10939	Spring, handle
	P-11174	Spring, handle, 7501/7515
8	P-3820	Wire cord
9	P-10940	Handle pip
10	P-10941	Handle (A)
11	P-10942	Handle (B)
	P-11175	Handle (B), 7501/7515
12	P-6140	Screw, handle
13	P-11205	Spring, handle
	P-11190	Spring, handle, 7501/7515
14	P-10943	Tube, air path
	P-10944	Tube, air path, 7515
15	P-00086	Screw, PCB assembly
16	P-10945	Cover, dirt sensor
17	P-10946	Cover, suction inlet
18	P-10947	Packing, connector pipe

19	P-10948	Connector pipe
20	P-6140	Screw, connector pipe
21	P-6140	Screw, air path tube
22	P-11206	Exhaust filter, HEPA
	P-11176	Exhaust filter, HEPA, 7501/7515
23	P-10945	Filter cover
	P-10949	Filter cover, 7501/7515
24	P-10950	Hose hook hanger
25	P-10962	Hose ring
26	P-10963	Nozzle hose, long
27	P-10964	Nozzle hose, short
28	P-10965	Tool caddy assembly
29	P-10966	Telescopic wand
30	P-6069	Crevice tool
31	P-10967	Hose unit
	P-10947	Hose unit, 7501
	P-111308	Hose unit, 7515
32	P-10645	Fabric brush
	P-111309	Fabric brush, 7515
33	P-111257	Brush holder
	P-10646	Brush holder, 7501/7515
34	P-8172	Screw, hose hook hanger
35	P-10562	Suction inlet control