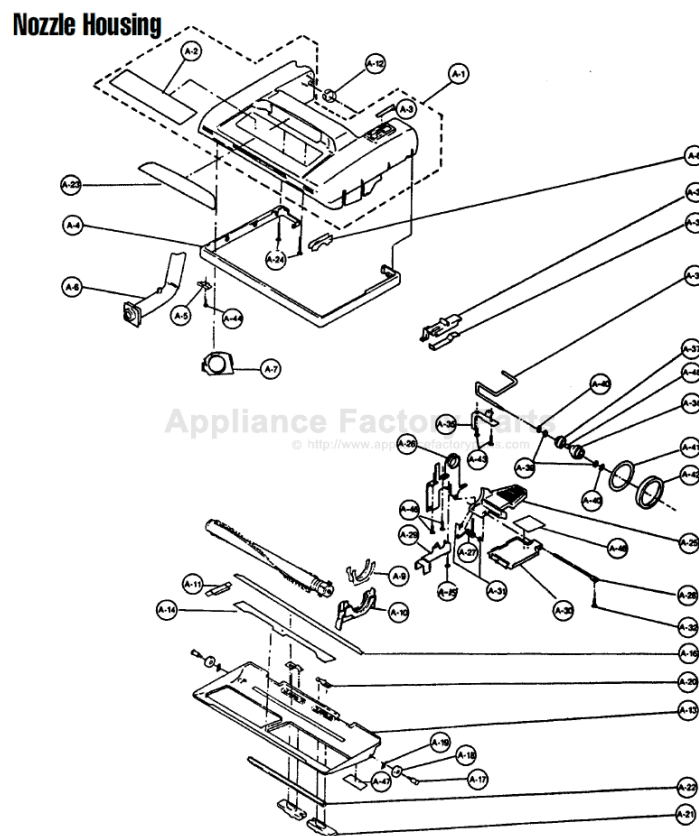


This Owner's Manual is provided and hosted by [Appliance Factory Parts](http://www.appliancefactoryparts.com).



PANASONIC 6647 Owner's Manual

[Shop genuine replacement parts for PANASONIC 6647](#)



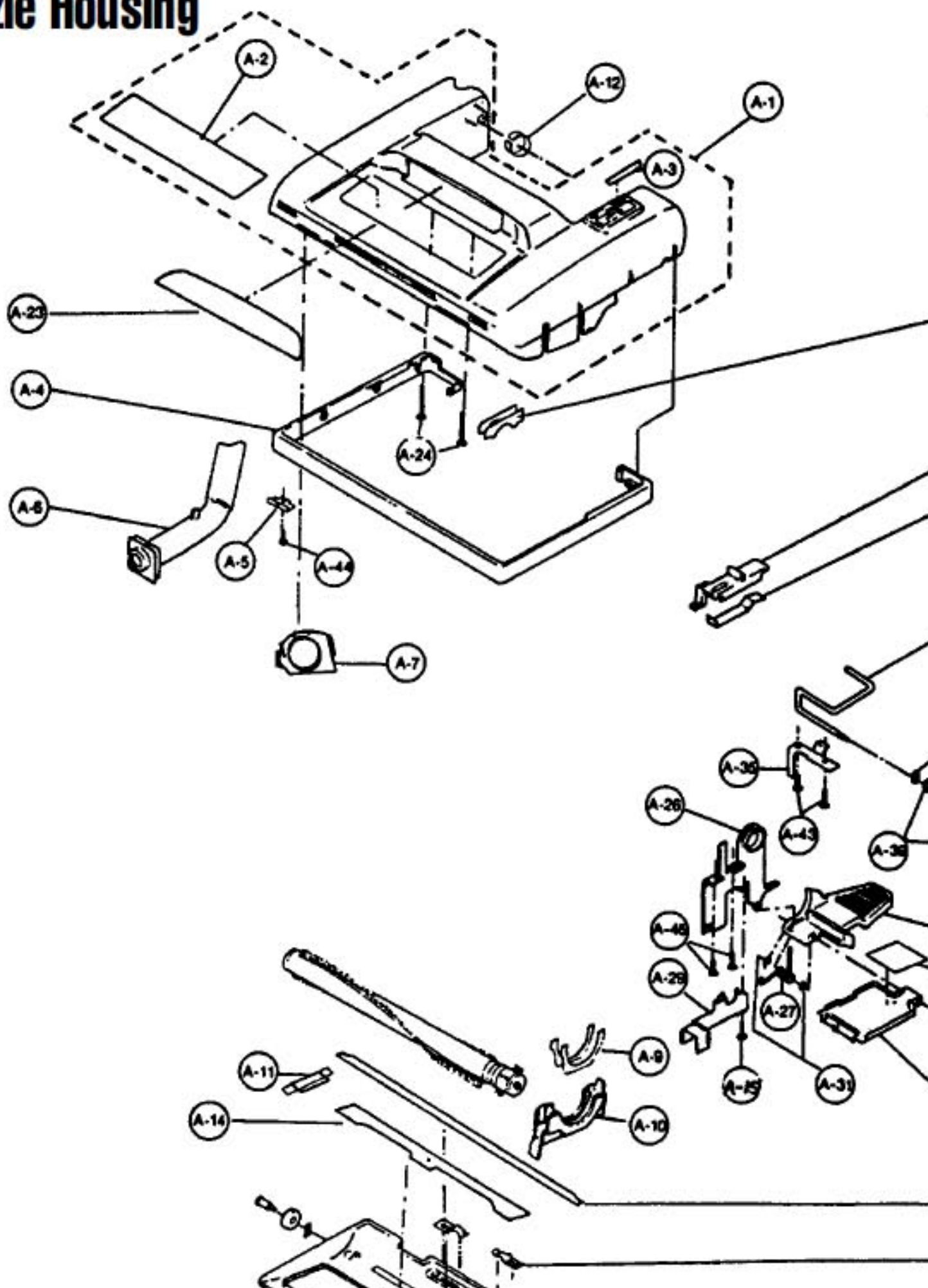
[Find Your PANASONIC Vacuum Cleaner Parts - Select From 605 Models](#)

----- Manual continues below -----

PANASONIC

Models: MC-6640, MC-6647

Nozzle Housing

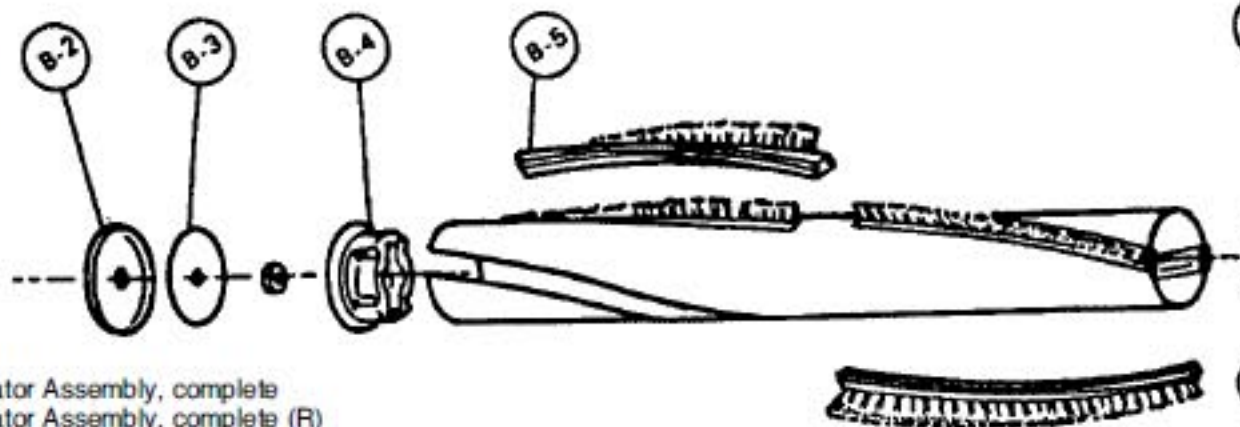


PANASONIC

Models: MC-6640, MC-6647

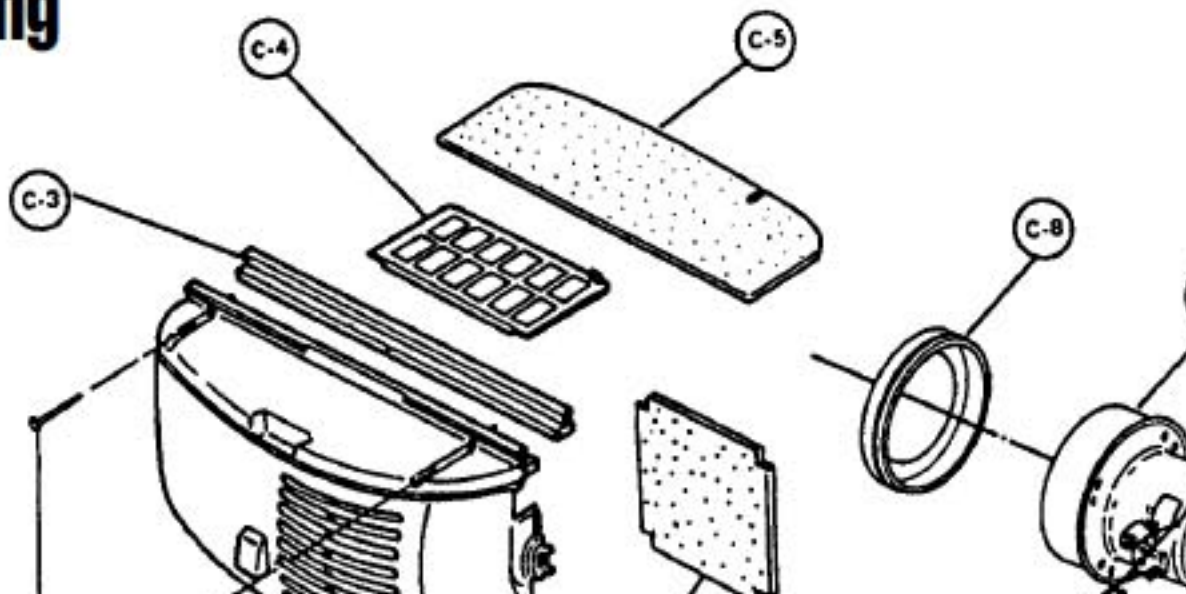
A1..... P-0110	Nozzle Housing, 6640	A17..... P-503	Shaft, floor nozzle roller, 6647	A34..... P-2
A1..... P-01000	Nozzle Housing, 6647	A18..... P-909	Roller, floor nozzle	A35..... P-5
A2..... P-02100	Top Mark, 6640	A19..... P-04	Spring Nut, push-on	A36..... P-10
A2..... P-02000	Top Mark, 6647	A20..... P-704	Spring, stop latch	A37..... P-33
A3..... NLA	Selector Mark	A21..... P-684	Latch, 6640	A37..... P-8
A4..... P-1035	Furniture Guard, 6640	A21..... P-2751	Latch, 6647	A38..... P-90
A4..... P-10300	Furniture Guard, 6647	A22..... P-1032	Floor Nozzle Rubber	A39..... P-0
A5..... P-2731	Hose Fitting Plate, 6640	A23..... N/A	Window, 6640	A39..... P-16
A5..... P-27300	Hose Fitting Plate, 6647	A23..... P-21104	Window, 6647	A40..... P-0
A6..... P-703	Nozzle Pipe	A24..... P-683	Screw, nozzle housing, 6640	A41..... P-3
A7..... P-691	Brush Holder	A24..... P-88300	Screw, nozzle housing, 6647	A42..... P-3
A8..... P-813	Tight Packing	A25..... P-4730	Pedal	P-2
A9..... P-753	Body Packing	A26..... P-433	Frame	A43..... P-4
A10..... P-4330	Belt Cover	A27..... P-583	Spring, pedal	A44..... P-4
A11..... P-391	Packing, lower plate, right	A28..... P-513	Shaft, pedal	10 pk
A12..... P-0210	Body Supporter	A29..... P-754	Guide Lever	A44..... P-5
A13..... P-0006	Lower Plate	A30..... P-1130	Belt Cover, rear	A45..... P-4
A14..... P-191	Packing, lower plate, front	A31..... P-411	E-Clip	A46..... P-0
A15..... P-263	Screw, frame	A32..... P-416	Screw, pedal shaft, 10 pk	A47..... P-0
A16..... P-741	Packing, lower plate, back	A33..... P-183	Selector Lever, 6640	A48..... P-7
A17..... P-503	Shaft, floor nozzle roller, 6640	A33..... P-0019	Selector Lever, 6647	

Agitator Assembly



P-9231	Agitator Assembly, complete	B7..... P-9030	Brush Holder
P-6200	Agitator Assembly, complete (R)	B8..... P-00125	End Cap, right
B2..... N/A	End Cap, left	B9..... P-5730	Agitator Shaft
B3..... P-321	Filter	P-411	E-Clip
B4..... P-4101	Agitator Holder	B11..... P-7431	Spacer
B5..... P-85	Brush Strip, 4 used, sold each		
B5..... P-425	Brush Strip, 4 used, sold per pair (R)		
B6..... P-2931	Agitator Pulley		

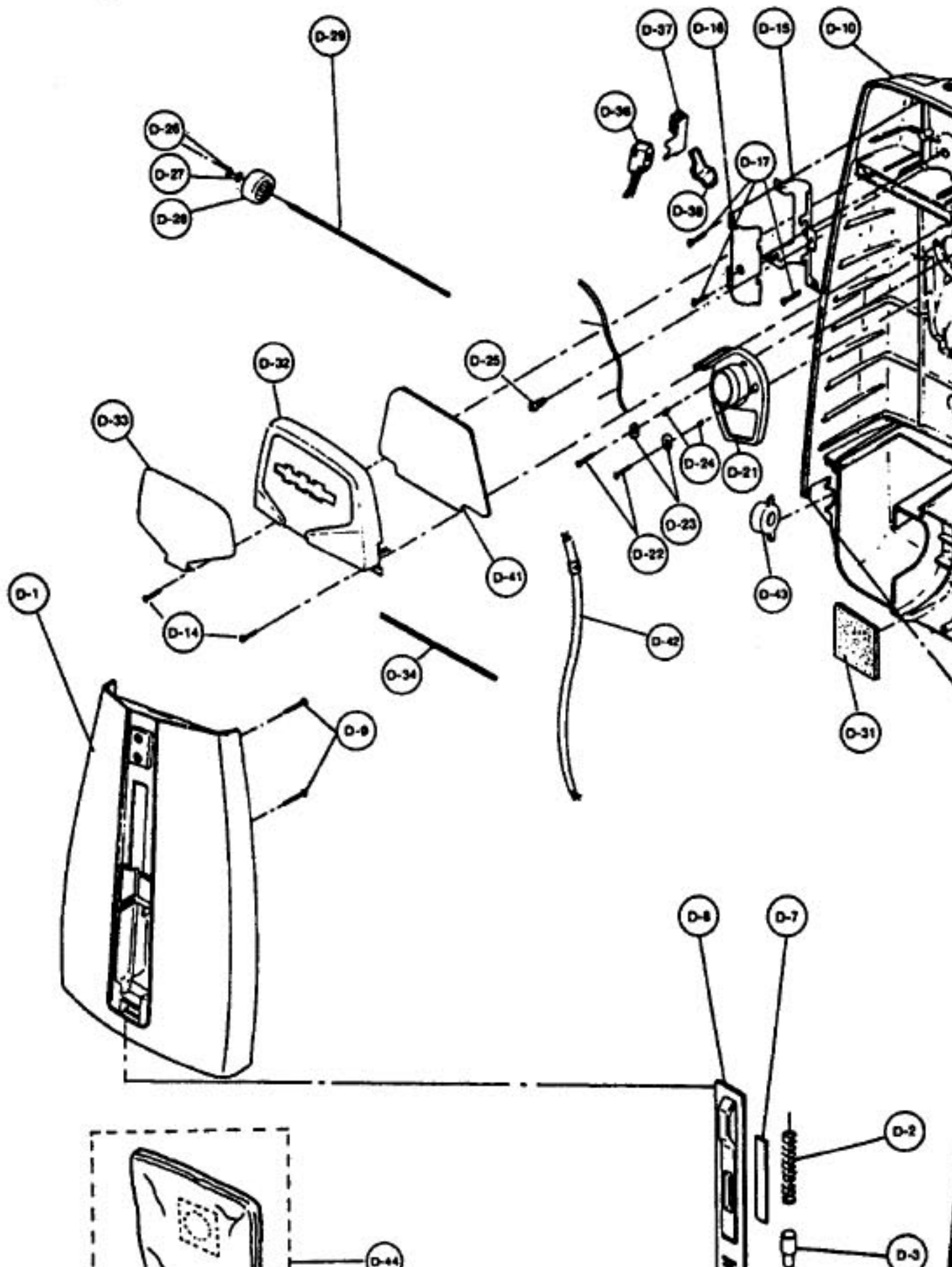
Motor Housing



PANASONIC

Models: MC-6640, MC-6647

Dust Compartment and Dust Cover



PANASONIC

Models: MC-6640, MC-6647

D1	N/A	Dust Cover, 6640
D1	P-60404	Dust Cover, 6647
D2	P-4105	Spring, indicator
D3	P-0049	Lead, indicator
D4	P-203	Supporter, indicator lead
D5	P-811	Tight Packing
D6	P-0630	Lever, suction control, 6640
D6	P-06300	Lever, suction control, 6647
D7	P-0830	Window, indicator
D8	N/A	Front Cover, 6640
D8	P-00100	Front Cover, 6647
D9	P-416	Screw, dust cover, 10 pk
D10	N/A	Dust Compartment
D11	P-647	Packing, suction inlet, 6640
D11	P-1034	Packing, suction inlet, 6647
D12	P-607	Suction Inlet, 6640
D12	P-2495	Suction Inlet, 6647
D13	N/A	Cover, 6640
D13	P-2493	Cover, 6647
D14	P-416	Screw, switch cover, 10 pk

D15	P-5311	Handle Supporter
D16	P-2486	Handle Fitting
D17	P-416	Screw, handle supporter, 10 pk
D18	SS-35	Cord Lock, sold each (R)
D19	P-94110	Cord, 6647
D19	MP-503	Cord, 50 ft, 18/3, black (R)
D20	P-000132	Screw, handle
D21	N/A	Bag Supporter, 6640
D21	P-10310	Bag Supporter, 6647
D22	P-418	Screw, bag supporter
D23	P-587	Washer
D24	P-341	Spacer
D25	P-418	Screw, connection cord
D26	P-05	E-Clip, 30 pk
D27	P-051	Washer, 6640
D27	P-1600	Washer, 6647
D28	P-0107	Roller, 6640
D28	P-0114	Roller, 6647
D29	P-163	Shaft, roller
D30	P-663	Packing, dust box, 6640

D30	P-86
D31	N/A
D32	P-03
D32	P-03
D33	P-21
D33	P-21
D34	P-73
D35	P-00
D36	P-98
D37	P-45
D38	P-15
D39	P-34
D39	P-00
D40	P-05
D41	P-46
D42	P-64
D43	P-25
D44	P-99
D44	P-55
D45	P-23

Handle Assembly

E1	P-2210	Handle Grip, right, 6640
E1	P-22104	Handle Grip, right, 6647
E2	P-2310	Handle Grip, left, 6640
E2	P-23104	Handle Grip, left, 6647
E3	P-6414	Handle
E4	P-9318	Window, switch
E5	P-6931	Knob, switch, 6640
E5	P-06930	Knob, switch, 6647
E6	P-416	Screw, handle grip, 10 pk
E7	P-5312	Cord Hook, upper, 6640
E7	P-10534	Cord Hook, upper, 6647
E8	P-416	Screw, upper cord hook, 10 pk
E9	P-623	Handle Lever

