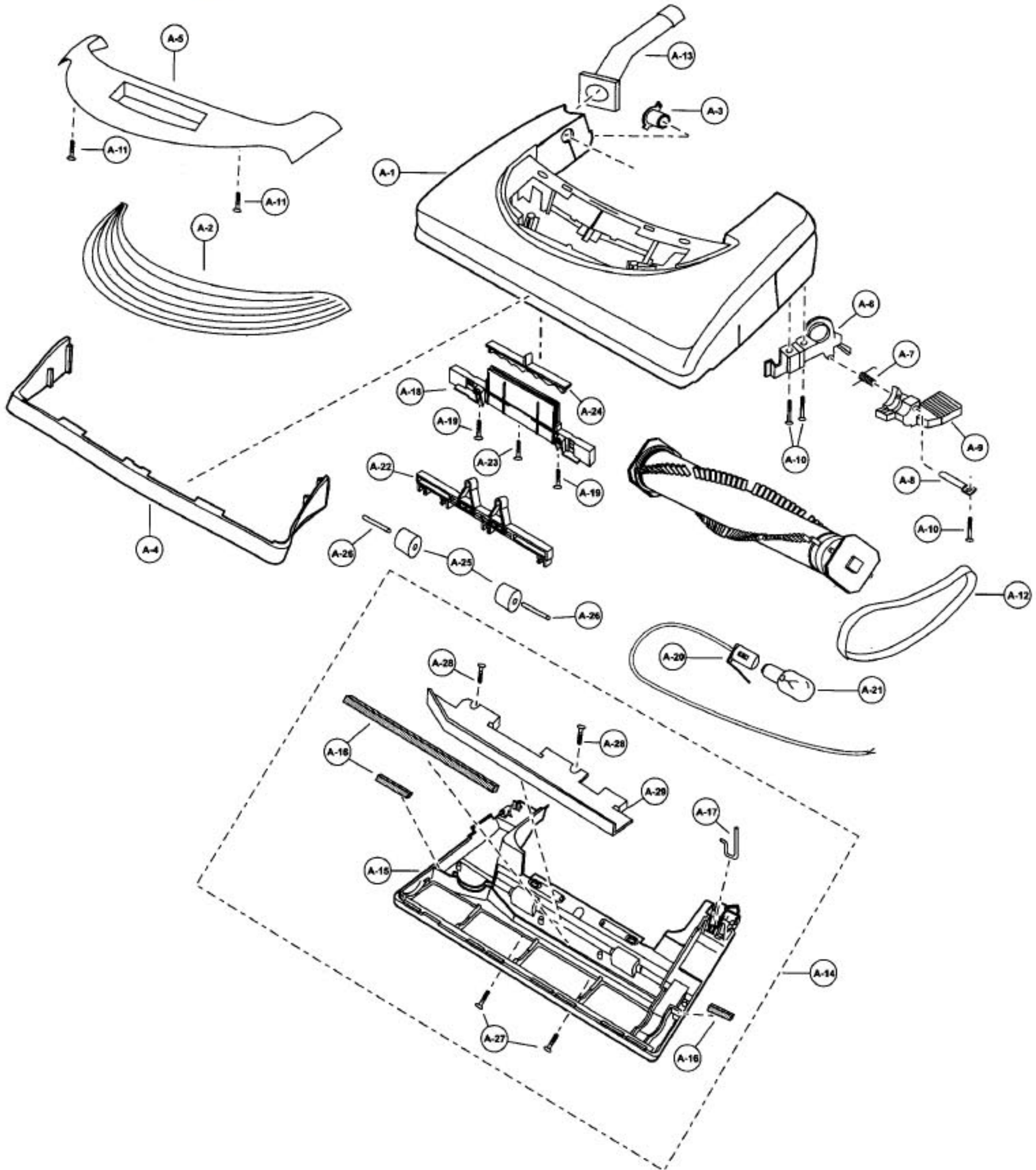


Models: MC-V150, MC-V200, MC-V300, MC-V315

Nozzle Housing

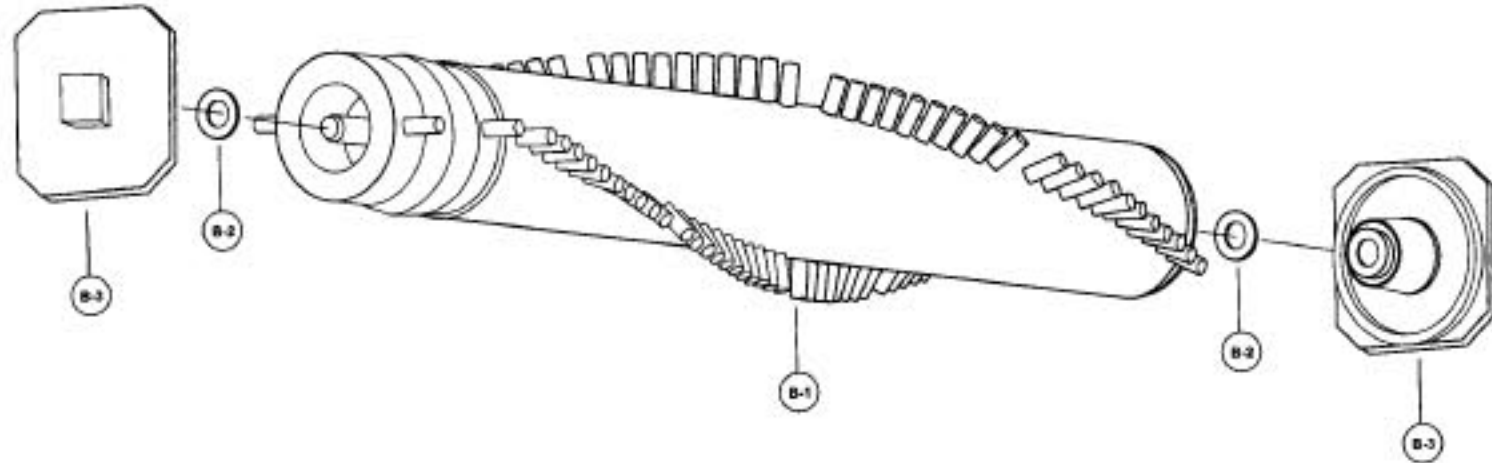


Models: MC-V150, MC-V200, MC-V300, MC-V315

1..... P-10453..... Nozzle Housing, V150	12..... P-V270B..... Belt, 2pk	20..... P-9367..... Bulb Socket
1..... P-10523..... Nozzle Housing, V200	13..... P-10304..... Nozzle Hose, V150	21..... P-7550..... Bulb, light
1..... P-10539..... Nozzle Housing, V300	13..... P-10108..... Nozzle Pipe, V300,V315	22..... P-10528..... Slider
1..... P-10817..... Nozzle Housing, V315	14..... P-10454..... Lower Plate Assy, V150	23..... P-6800..... Screw, slider support
2..... P-10540..... Window, V300	14..... P-10524..... Lower Plate Assy, V200	24..... P-10527..... Knob, height adjustment
2..... P-10818..... Window, V315	14..... P-10543..... Lower Plate Assy, V300	25..... P-9888..... Wheel
P-10456..... Window Cover, V150	14..... P-10821..... Lower Plate Assy, V315	26..... P-9889..... Shaft, wheel
P-10526..... Window Cover, V200	15..... P-10455..... Lower Plate, V150	26..... P-10357..... Shaft, wheel, V200
3..... P-2500..... Shaft, plastic	15..... P-10525..... Lower Plate, V200	27..... P-6800..... Screw, lower plate
3..... P-10819..... Shaft, plastic, V315	15..... P-10544..... Lower Plate, V300	28..... P-6140..... Screw, body, 10pk
4..... P-10541..... Furniture Guard, V300	15..... P-10822..... Lower Plate, V315	29..... P-9766..... Body, lower plate
4..... P-10820..... Furniture Guard, V315	16..... P-9860..... Packing, lower plate	P-78..... Plastic Holder
5..... P-10542..... Light Cover, V300,V315	16..... P-10394..... Packing, lower plate, V150,V315	P-9846..... Stop Latch Spring, V315
6..... P-9878..... Frame, handle release, V300/15	17..... P-43..... Belt Guard, V150,V200	P-10528..... Height Adjustment Cam, V315
7..... P-58..... Spring, pedal	17..... P-9861..... Belt Guard, V300,V315	P-2444..... Latch, V315
7..... P-9857..... Spring, pedal, V300,V315	18..... P-9863..... Slider Support	
8..... P-513..... Shaft, pedal	18..... P-10353..... Slider Support, V150	
9..... P-4720..... Pedal, handle release	18..... P-111217..... Slider Support, V200	
10..... P-02181..... Screw, frame	18..... P-10832..... Slider Support, V315	
11..... P-6140..... Screw, window cover	19..... P-6140..... Screw, slider support	

Agitator Assembly

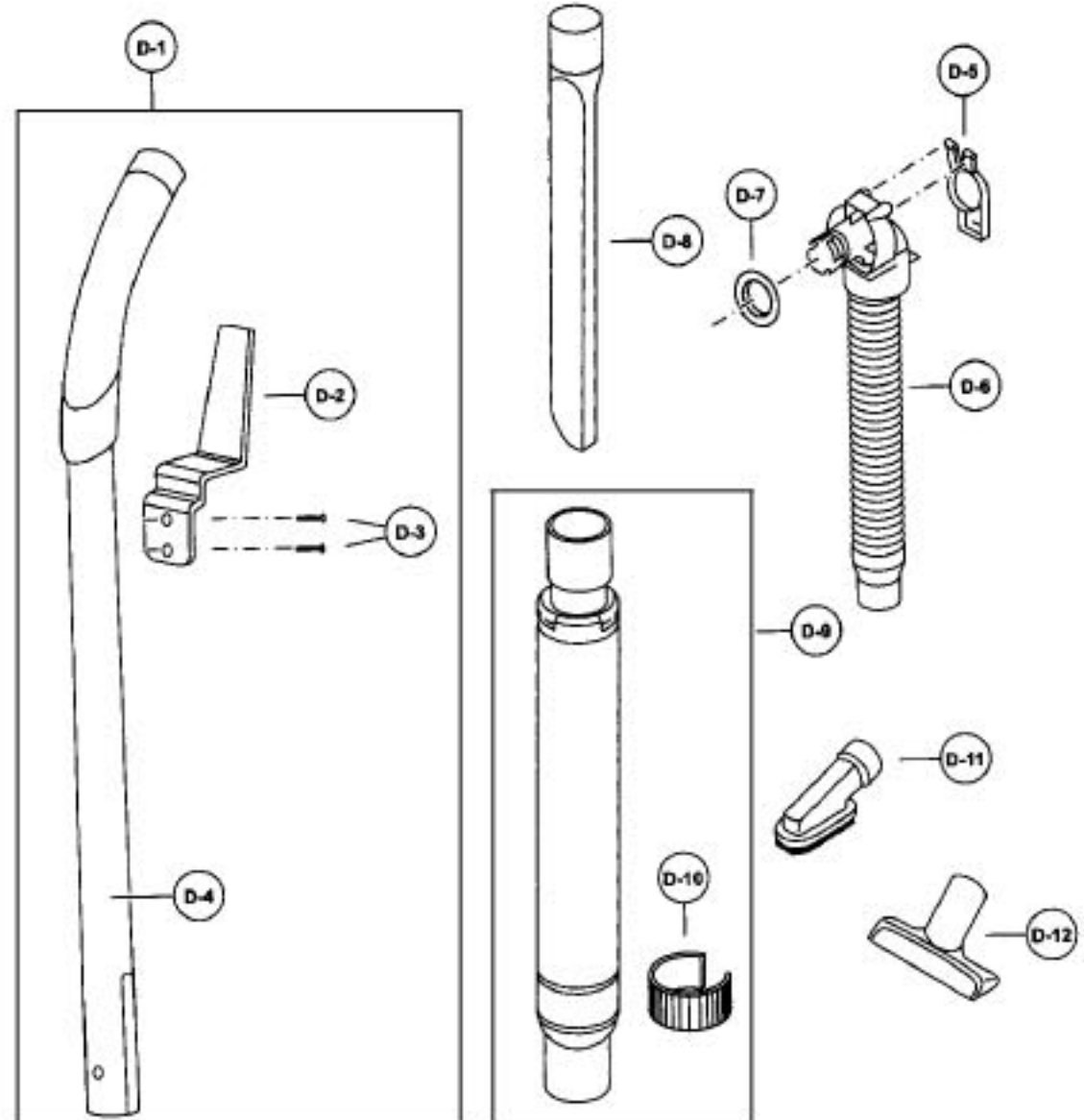
- 1..... P-10439..... Agitator Unit
- 1..... P-10809..... Agitator Unit, V315
- 2..... P-0030..... Washer
- 3..... P-9906..... End Cap



Handle, Hose & Attach-

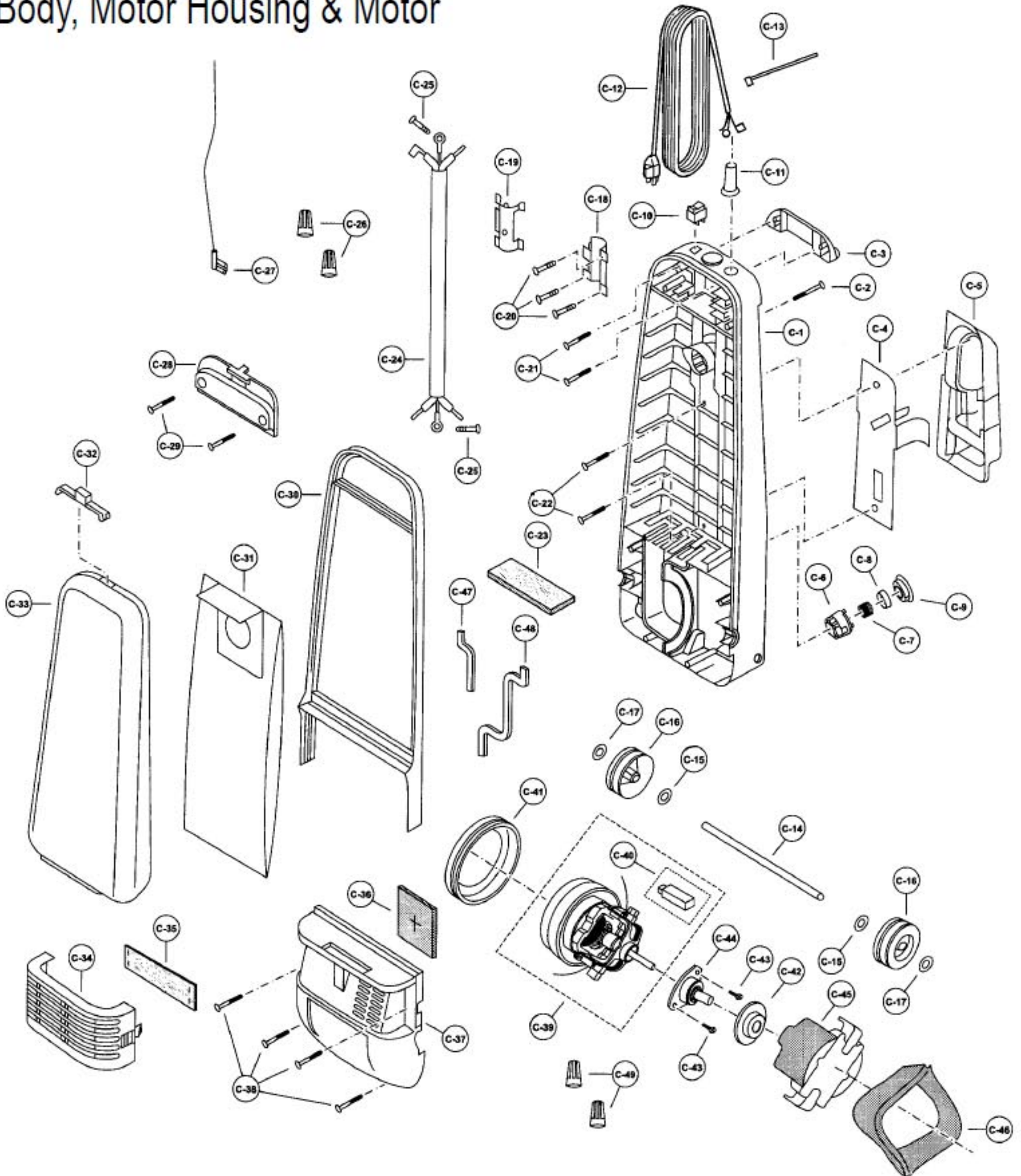
MODEL MC-V300, MC-V315 ONLY

- 1..... P-9509..... Handle Assembly
- 2..... P-000633..... Cord Hook
- 3..... P-6800..... Screw, cord hook
- 4..... P-10560..... Handle
- 5..... P-8972..... Suction Inlet Cover
- 6..... P-10561..... Hose Unit, stretch
- 7..... P-9894..... Packing, suction inlet
- 8..... P-6069..... Crevice Tool
- 9..... P-8931..... Wand, telescoping
- 10..... P-10562..... Suction Control
- 11..... P-6088..... Dusting Brush
- 12..... P-6620..... Upholstery Nozzle



Models: MC-V150, MC-V200, MC-V300, MC-V315

Body, Motor Housing & Motor



Models: MC-V150, MC-V200, MC-V300, MC-V315

1.....	P-10457.....	Dust Compartment, V150	38.....	P-6140.....	Screw, motor case
1.....	P-10529.....	Dust Compartment, V200	39.....	P-10533.....	Motor Assy
1.....	P-10563.....	Dust Compartment, V300,V315	39.....	P-000629.....	Motor Assy, V150
2.....	P-7330.....	Screw, handle	40.....	P-10393.....	Carbon Brush, motor
3.....	P-10545.....	Carry Handle	41.....	P-0293.....	Motor Support, front
4.....	P-10546.....	Support Plate	42.....	P-10338.....	Motor Support, rear
5.....	P-10547.....	Tool Holder	42.....	P-9911.....	Motor Support, rear, V300,V315
6.....	P-6806.....	Protector Case	43.....	P-9912.....	Screw, motor flange
7.....	P-692.....	Spring, protector, blue	44.....	N/A.....	Motor Flange
7.....	P-10388.....	Spring, protector, yellow, V150	45.....	P-93033.....	Motor Cover
8.....	P-000057.....	Protector	46.....	P-9931.....	Noise Suppressor
9.....	P-1806.....	Protector Supporter	46.....	P-99300.....	Noise Suppressor, V300,V315
10.....	P-8913.....	Switch, on/off, V150	47.....	P-5860.....	Body Packing, left
10.....	P-10530.....	Switch, on/off, V200	48.....	P-3990.....	Body Packing, right
10.....	P-10548.....	Switch, on/off, V300	49.....	P-000623.....	Wire Connector, motor area
10.....	P-10602.....	Switch, on/off, V315	49.....	P-10450.....	Wire Connector, motor area, V315
11.....	P-10389.....	Rubber Protector		N/A.....	Suction Inlet, V200
12.....	P-10380.....	Power Cord, 35 ft, V150		P-8972.....	Cover, suction inlet, V150
12.....	P-10531.....	Power Cord, 50 ft, V200		P-8915.....	Cover, suction inlet, V200
12.....	P-10429.....	Power Cord, 50 ft, V300		P-6140.....	Screw, suction inlet, V150,V200
12.....	P-10823.....	Power Cord, 50 ft, V315		P-0036.....	Brush Retainer Bracket, V150,V200
13.....	P-00104.....	Wire Tie, 10pk		P-8946.....	Hose, V150
14.....	P-16005.....	Shaft Wheel		P-8917.....	Hose, V200
15.....	P-6115.....	Washer, wheel		P-10391.....	Cord Retainer, V150
16.....	P-10441.....	Wheel		P-10535.....	Cord Retainer, V200
17.....	P-74009.....	Stopper, wheel		P-10459.....	Cover Cap, V150
18.....	P-2486.....	Fitting, handle		P-10536.....	Cover Cap, V200
19.....	P-10549.....	Supporter, handle		P-10460.....	Handle Assy, V150
20.....	P-8172.....	Screw, handle supporter		P-10537.....	Handle Assy, V200
21.....	P-6140.....	Screw, carry handle		P-10461.....	Handle, V150
22.....	P-6140.....	Screw, tool holder		P-000631.....	Handle, V200
23.....	P-9829.....	Filter, secondary electrostatic		P-000633.....	Cord Hook, V150,V200
23.....	P-10550.....	Filter, secondary electrostatic, V300		P-6800.....	Screw, cord hook, V150,V200
23.....	N/A.....	Filter, secondary electrostatic,, V315		P-10392.....	Caution Label, V150,V200
	P-3200.....	Filter Supporter, V150,V200		P-6069.....	Crevice Tool, V150
24.....	P-10385.....	Wire Cord		P-6088.....	Dusting Brush, V150
24.....	P-10551.....	Wire Cord, V300,V315		P-8180.....	Wand, with tabs, V150
25.....	P-9912.....	Screw, grounding		P-9837.....	Hose Holder, V150
26.....	P-000623.....	Wire Connector, switch area		P-10464.....	Hose Hook, V150
27.....	P-4410.....	Lead Wire, black		P-10463.....	Hose Adaptor, V150
28.....	P-30606.....	Switch Cover, V150,V200			
28.....	P-10552.....	Switch Cover, V300,V315			
	P-10443.....	Latch, V150,V200			
29.....	P-6140.....	Screw, switch cover			
30.....	P-10553.....	Bumper			
31.....	P-145M.....	Paper Bag, type U6, micro, 3pk			
32.....	P-10554.....	Release Button, dust cover			
33.....	P-10462.....	Dust Cover			
33.....	P-10555.....	Dust Cover, V300			
33.....	P-10824.....	Dust Cover, V315			
34.....	P-10556.....	Filter Cover			
35.....	P-10557.....	Filter, electrostatic, exhaust			
36.....	P-10558.....	Filter, motor case			
37.....	P-10458.....	Motor Case, V150			
37.....	P-8943.....	Motor Case, V200			
37.....	P-10559.....	Motor Case, V300,V315			