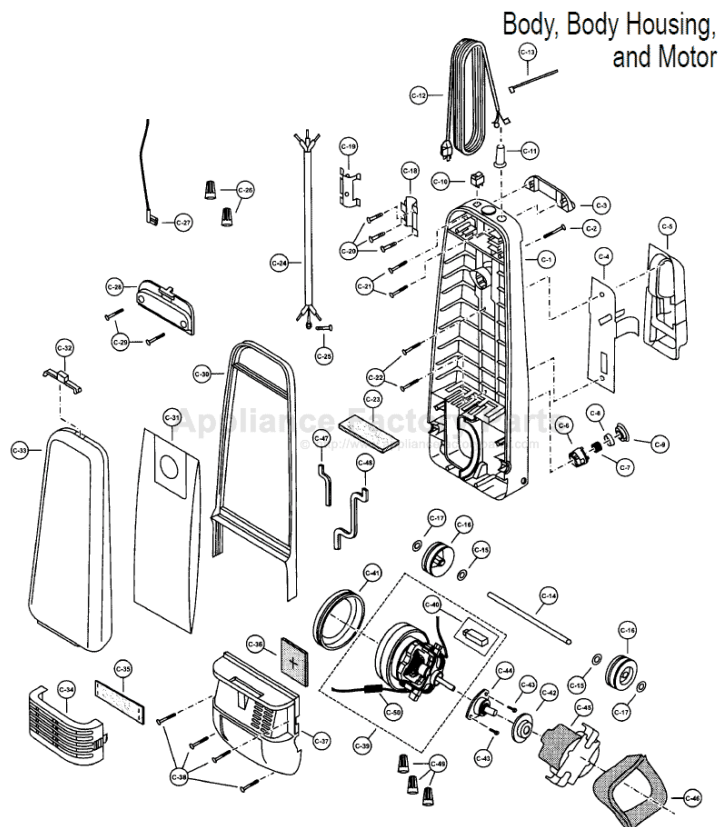


This Owner's Manual is provided and hosted by [Appliance Factory Parts](#).



# PANASONIC V3110 Owner's Manual

[Shop genuine replacement parts for PANASONIC  
V3110](#)

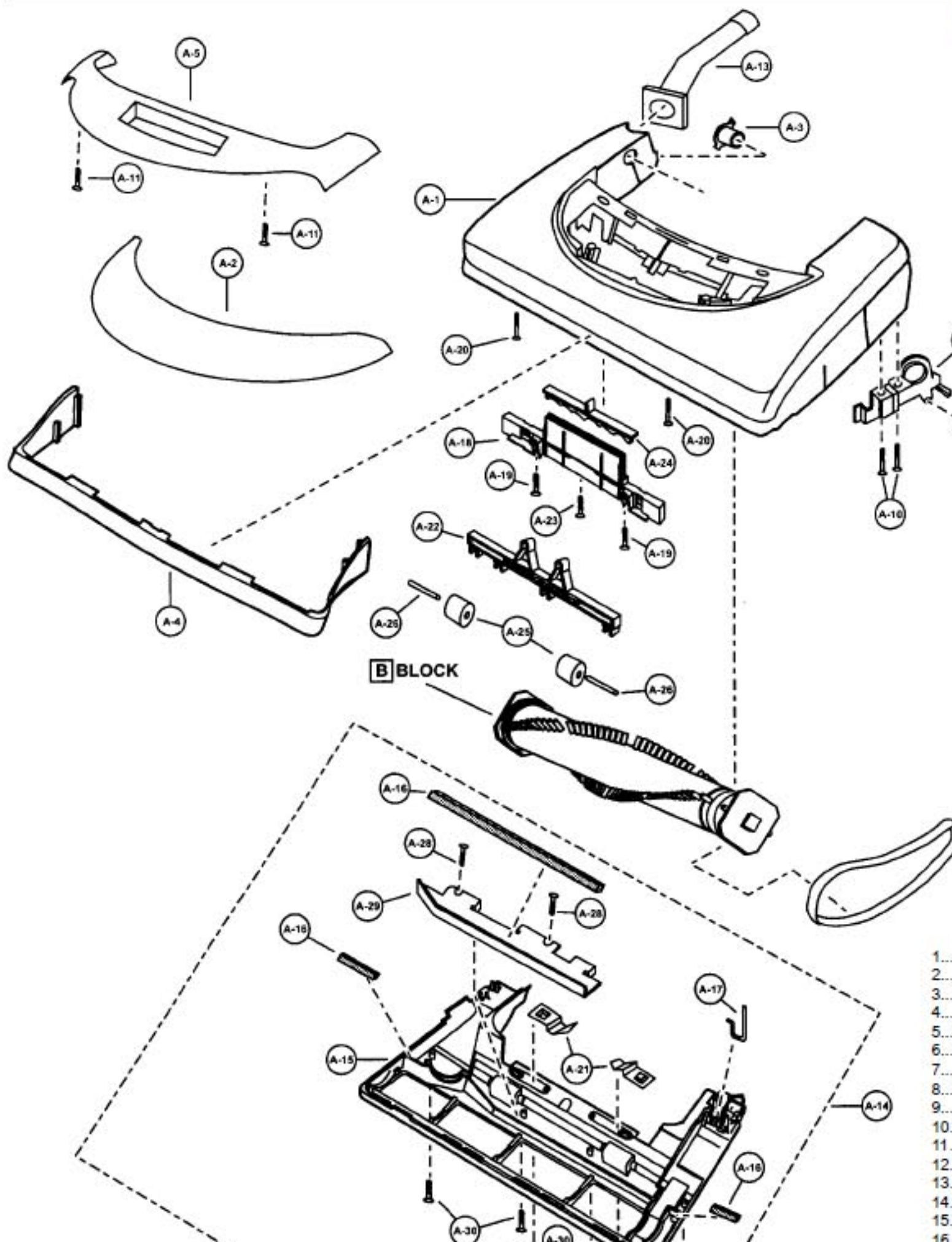


[Find Your PANASONIC Vacuum Cleaner Parts - Select From 605 Models](#)

----- Manual continues below -----

# PANASONIC

Model: MC-V3110

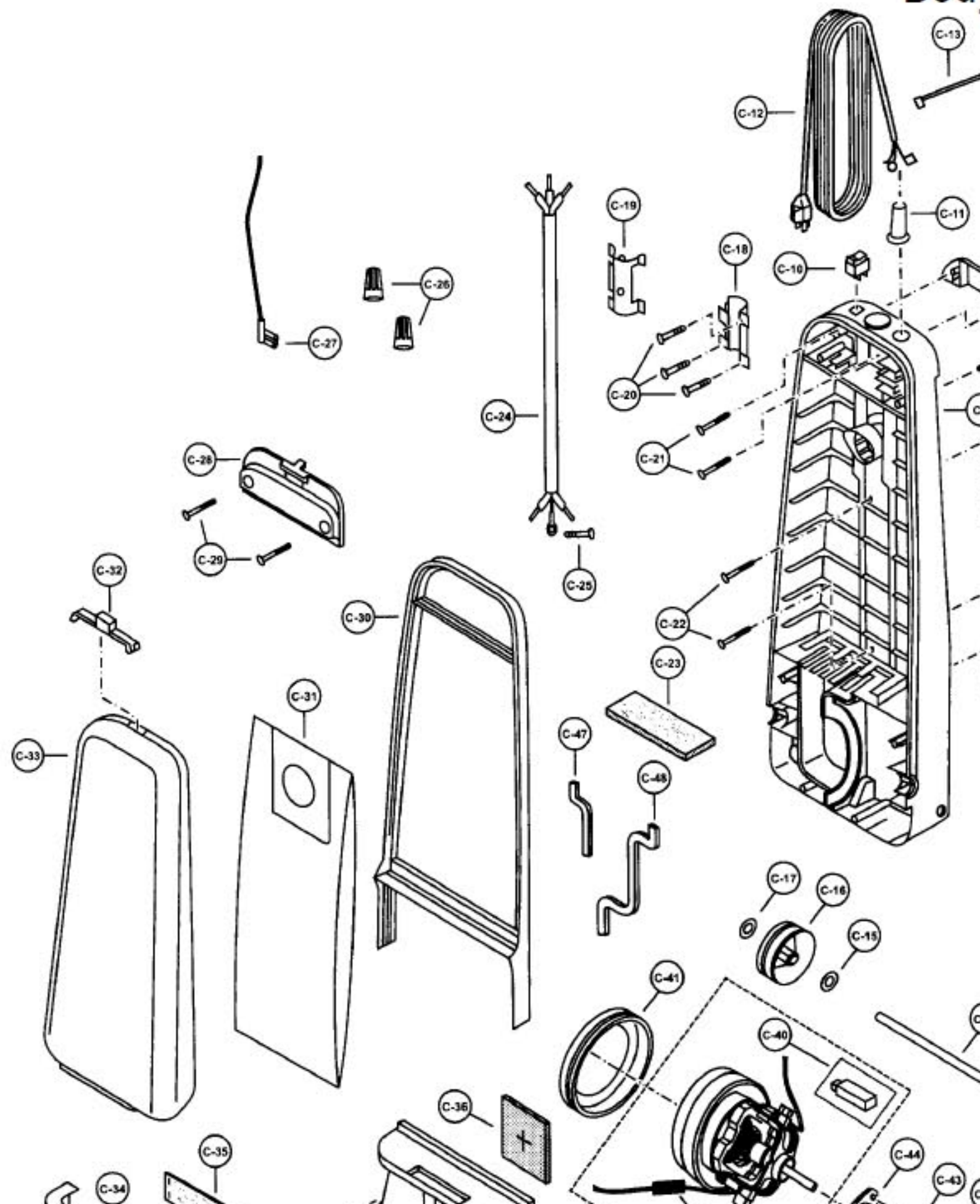


- 1.
- 2.
- 3.
- 4.
- 5.
- 6.
- 7.
- 8.
- 9.
- 10.
- 11.
- 12.
- 13.
- 14.
- 15.

# PANASONIC

Model: MC-V3110

Body



# PANASONIC

Model: MC-V3110

Body

1.....	P-98107.....	Dust compartment
2.....	P-7330.....	Screw, handle
3.....	P-10545.....	Carry handle
4.....	P-10546.....	Support plate
5.....	P-10547.....	Tool holder
6.....	P-111417.....	Protector case
7.....	P-692.....	Spring, protector, blue
8.....	P-000057.....	Protector
9.....	P-111416.....	Protector supporter
10.....	P-10602.....	Switch, On/Off
11.....	P-10389.....	Rubber protector
12.....	P-10823.....	Power cord, 50 ft
13.....	P-00104.....	Wire tie
14.....	P-10968.....	Shaft, wheel
15.....	P-6115.....	Washer, wheel
16.....	P-0062.....	Wheel
17.....	P-74009.....	Stopper, wheel
18.....	P-2486.....	Fitting, handle
19.....	P-10549.....	Supporter, handle
20.....	P-8172.....	Screw, handle supporter
21.....	P-8172.....	Screw, carry handle
22.....	P-8172.....	Screw, tool holder
23.....	P-3780.....	Filter, secondary
24.....	P-10551.....	Wire cord
25.....	P-9912.....	Screw, grounding
26.....	P-000623.....	Wire connector, switch area
27.....	P-4410.....	Lead wire, black
28.....	P-10552.....	Switch cover
29.....	P-000132.....	Screw, switch cover
30.....	P-111476.....	Bumper
31.....	P-111477.....	Dust bag
32.....	P-10628.....	Release button, dust cover
33.....	P-10205.....	Dust cover
34.....	P-111478.....	Filter cover
35.....	P-111479.....	Filter, electrostatic exhaust
36.....	P-10558.....	Filter, motor case
37.....	P-111480.....	Motor case
38.....	P-8172.....	Screw, motor case
39.....	P-10533.....	Motor assembly
40.....	P-270091.....	Carbon brush, motor
41.....	P-0293.....	Motor support, front
42.....	P-9911.....	Motor support, rear
43.....	P-9912.....	Screw, motor flange
44.....	P-111436.....	Motor flange
45.....	P-93033.....	Motor cover
46.....	P-10670.....	Noise suppressor
47.....	P-5860.....	Body packing, left
48.....	P-3990.....	Body packing, right
49.....	P-000623.....	Wire connector, motor area
50.....	P-10816.....	Lead wire assembly

1..... P-111553..... Agitator unit

A