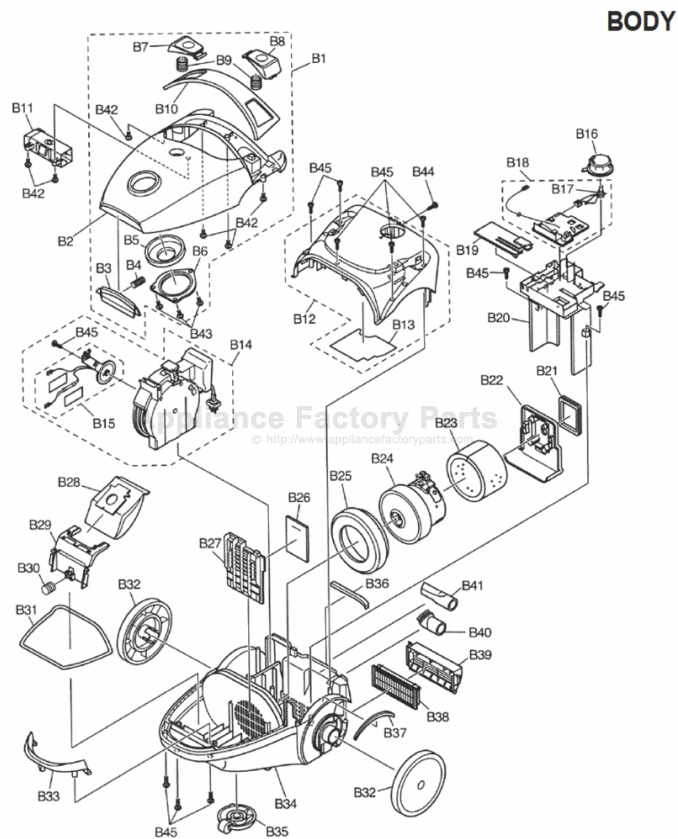


This Owner's Manual is provided and hosted by [Appliance Factory Parts](http://Appliance Factory Parts).



# PANASONIC MC-CG467 Owner's Manual

[Shop genuine replacement parts for PANASONIC  
MC-CG467](#)

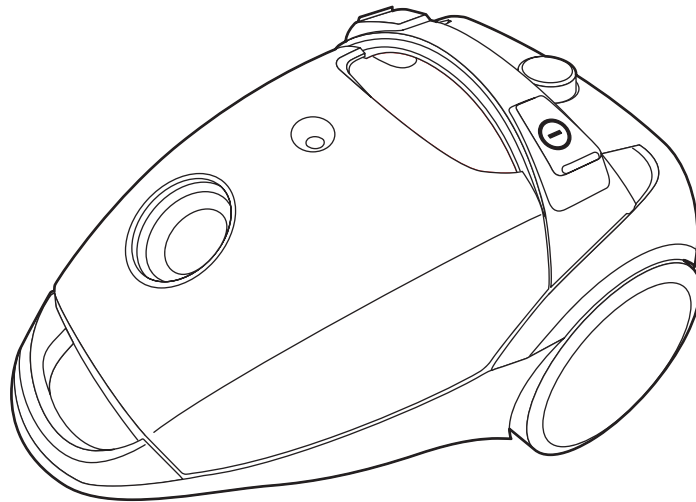


[Find Your PANASONIC Vacuum Cleaner Parts - Select From 605 Models](#)

----- Manual continues below -----

Model No. **MC-CG467**

<b>Operating Instructions</b> Vacuum Cleaner	ENGLISH
<b>Instructions d'utilisation</b> Aspirateur	FRANÇAIS
<b>Manual de instrucciones</b> Aspiradora	ESPAÑOL



## ENGLISH

Keep pages 3 and 10 open when reading this manual, to make easier identify the different parts of the product.  
We would recommend that you carefully study these Operating Instructions before attempting to operate the unit, and that you note the Important Safety Instructions ..... Page 4  
This product complies with the directives 73/23/EEC and 89/336/EEC.

### Information on Disposal for Users of Waste Electrical & Electronic Equipment (private households)



This symbol on the products and/or accompanying documents means that used electrical and electronic products should not be mixed with general household waste.

For proper treatment, recovery and recycling, please take these products to designated collection points, where they will be accepted on a free of charge basis. Alternatively, in some countries you may be able to return your products to your local retailer upon the purchase of an equivalent new product.

Disposing of this product correctly will help to save valuable resources and prevent any potential negative effects on human health and the environment which could otherwise arise from inappropriate waste handling. Please contact your local authority for further details of your nearest designated collection point.

Penalties may be applicable for incorrect disposal of this waste, in accordance with national legislation.

### Information on Disposal in other Countries outside the European Union

This symbol is only valid in the European Union.

If you wish to discard this product, please contact your local authorities or dealer and ask for the correct method of disposal.

## FRANÇAIS

En lisant ce mode d'emploi, gardez les pages 3 et 10 ouvertes pour identifier facilement les pièces.  
Avant de mettre en marche l'aspirateur, nous vous conseillons de lire attentivement ce Manuel d'Instruction pour le fonctionnement correct de l'appareil. .... Page 6  
Ce produit est conforme aux directives 73/23/CEE et 89/336/CEE.

### Informations relatives à l'évacuation des déchets, destinées aux utilisateurs d'appareils électriques et électroniques (appareils ménagers domestiques)



Lorsque ce symbole figure sur les produits et/ou les documents qui les accompagnent, cela signifie que les appareils électriques et électroniques ne doivent pas être jetés avec les ordures ménagères.

Pour que ces produits subissent un traitement, une récupération et un recyclage appropriés, envoyez-les dans les points de collecte désignés, où ils peuvent être déposés gratuitement. Dans certains pays, il est possible de renvoyer les produits au revendeur local en cas d'achat d'un produit équivalent.

En éliminant correctement ce produit, vous contribuerez à la conservation des ressources vitales et à la prévention des éventuels effets négatifs sur l'environnement et la santé humaine qui pourraient survenir dans le cas contraire.

Afin de connaître le point de collecte le plus proche, veuillez contacter vos autorités locales.

Des sanctions peuvent être appliquées en cas d'élimination incorrecte de ces déchets, conformément à la législation nationale.

### Informations sur l'évacuation des déchets dans les pays ne faisant pas partie de l'Union européenne

Ce symbole n'est reconnu que dans l'Union européenne.

Pour vous débarrasser de ce produit, veuillez contacter les autorités locales ou votre revendeur afin de connaître la procédure d'élimination à suivre.

## ESPAÑOL

Mantenga las páginas 3 y 10 abiertas para una fácil identificación de las piezas cuando lea este manual.  
Antes de poner en marcha la aspiradora, le recomendamos que lea atentamente este Manual de Instrucciones para el correcto funcionamiento del aparato. .... Página 8  
Este producto cumple con las directivas 73/23/CEE y 89/336/CEE.

### Información sobre la eliminación para los usuarios de equipos eléctricos y electrónicos usados (particulares)



La aparición de este símbolo en un producto y/o en la documentación adjunta indica que los productos eléctricos y electrónicos usados no deben mezclarse con la basura doméstica general.

Para que estos productos se sometan a un proceso adecuado de tratamiento, recuperación y reciclaje, llévelos a los puntos de recogida designados, donde los admitirán sin coste alguno. En algunos países existe también la posibilidad de devolver los productos a su minorista local al comprar un producto nuevo equivalente.

Si desecha el producto correctamente, estará contribuyendo a preservar valiosos recursos y a evitar cualquier posible efecto negativo en la salud de las personas y en el medio ambiente que pudiera producirse debido al tratamiento inadecuado de desechos. Póngase en contacto con su autoridad local para que le informen detalladamente sobre el punto de recogida designado más cercano.

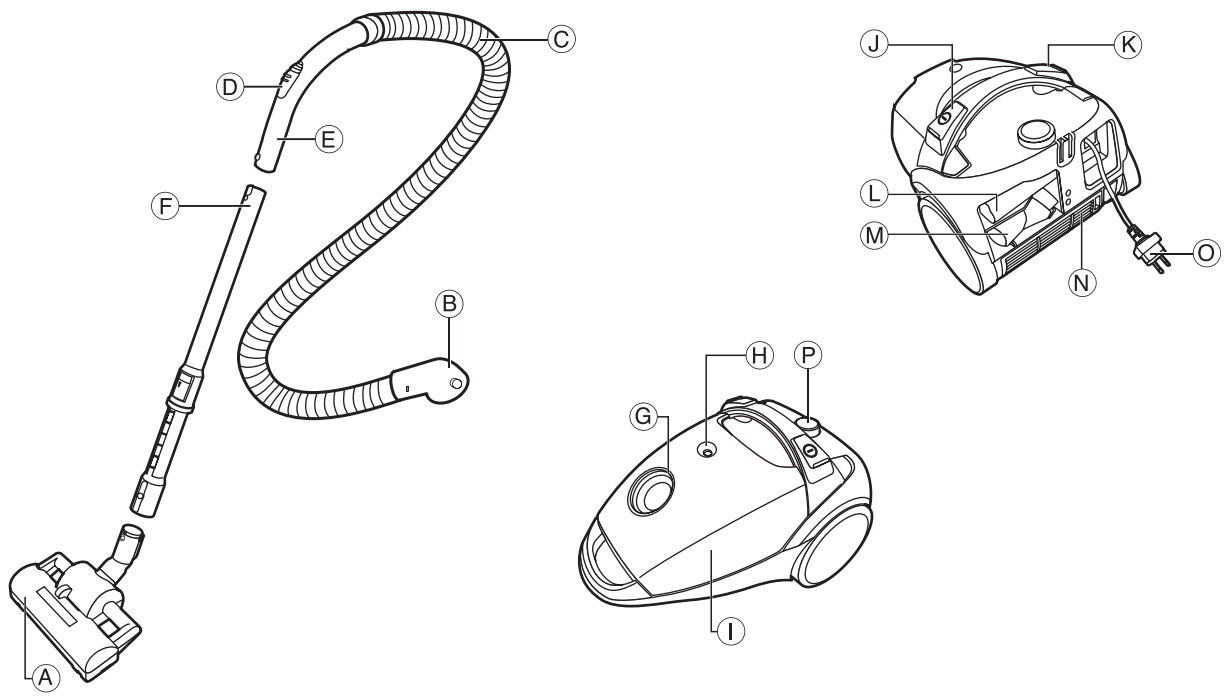
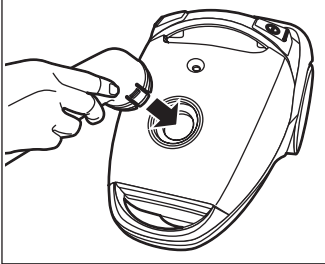
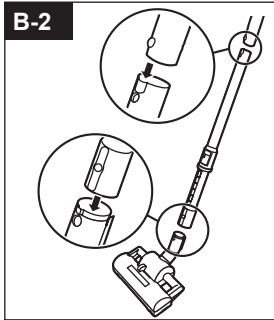
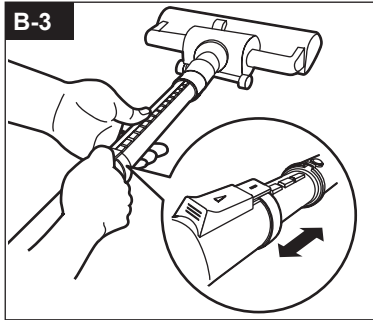
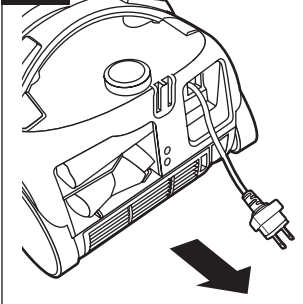
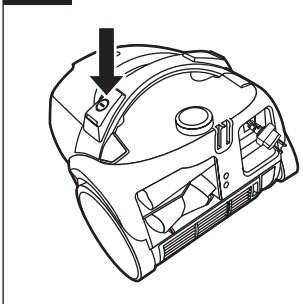
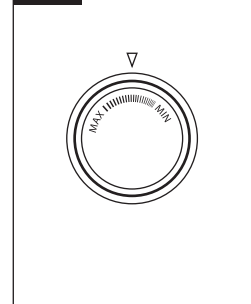
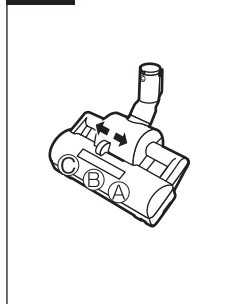
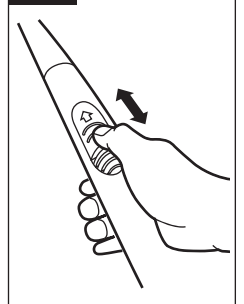
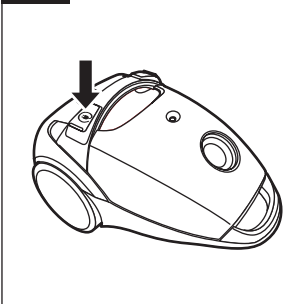
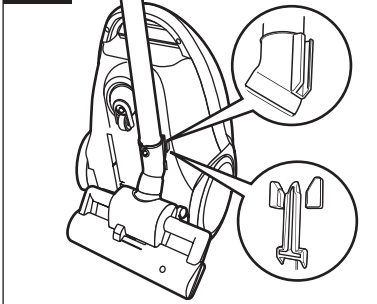
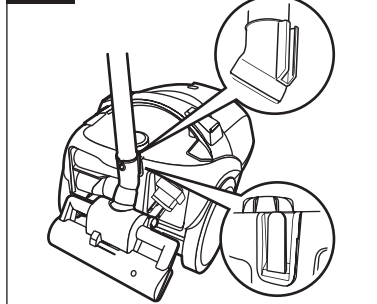
De acuerdo con la legislación nacional, podrían aplicarse multas por la eliminación incorrecta de estos desechos.

### Información sobre la eliminación en otros países no pertenecientes a la Unión Europea

Este símbolo sólo es válido en la Unión Europea.

Si desea desechar este producto, póngase en contacto con las autoridades locales o con su distribuidor para que le informen sobre el método correcto de eliminación.



**A****B****B-1****B-2****B-3****C****C-1****C-2****C-3****C-4****C-5****C-6****C-7****C-8**

## IMPORTANT SAFETY INSTRUCTIONS

When using this vacuum cleaner, basic precautions should always be followed, including the following:

### READ ALL INSTRUCTIONS BEFORE USING THIS VACUUM CLEANER

- ⚠ WARNING** statements are designed to alert you to the possibility of injury, loss of human life, and/or damage to the vacuum cleaner and/or personal property if the instructions given are not followed.
- ⚠ CAUTION** statements are designed to alert you to the possibility of damage to the vacuum cleaner and/or personal property if the instructions given are not followed.

### ⚠ WARNING

To reduce the risk of fire, electric shock, or injury:

- Do not leave vacuum cleaner when plugged in. Unplug from outlet when not in use and before servicing.
- Do not use outdoors or on wet surfaces.
- Do not allow to be used as a toy. Close attention is necessary when used by or near children.
- Use only as described in this manual. Use only manufacturer's recommended attachments.
- Do not use with a damaged cord or plug. If vacuum cleaner is not working as it should, has been dropped, damaged, left outdoors, or dropped into water, return it to a service center.
- Do not pull or carry by cord, use cord as a handle, close a door on cord, or pull cord around sharp edges or corners. Do not run vacuum cleaner over cord. Keep cord away from heated surfaces.
- Do not unplug by pulling on cord. To unplug, grasp the plug, not the cord.
- Do not handle plug or vacuum cleaner with wet hands.
- Do not put any object into openings. Do not use with any opening blocked; keep free of dust, lint, hair, and anything that may reduce air flow.
- Keep air, loose clothing, fingers, and all parts of body away from openings and moving parts.
- Do not pick up anything that is burning or smoking, such as cigarettes, matches or hot ashes.
- Do not use without dust bag and/or filters in place.
- Turn off all controls before unplugging.
- Do not use to pick up flammable or combustible liquids such as gasoline or use in areas when they may be present.
- Hold plug when rewinding onto cord reel. Do not allow plug to whip when rewinding.
- Do not use the cleaner to pick up sharp hard objects, small toys, pins, paper clips, etc. They may damage the cleaner or dust bag.
- Always change the dust bag after vacuuming carpet cleaners or freshener, powders and fine dust. These products clog the bag, reduce airflow and can cause the bag to burst. Failure to change bag could cause permanent damage to the cleaner.
- Use extra care when cleaning on stairs. Do not put on chairs, tables, etc. Keep on floor.

## SAVE THESE INSTRUCTIONS

### THIS VACUUM CLEANER IS INTENDED FOR HOUSEHOLD USE ONLY

- To reduce the risk of electric shock, this vacuum cleaner has a polarized plug (on blade is wider than the other). This plug will fit in a polarized outlet only one way. If the plug does not fit fully in the outlet, reverse the plug. If it still does not fit, contact a qualified electrician to install the proper outlet. Do not change the plug in any way.

#### Notice

Before you plug in your Panasonic Vacuum Cleaner, make sure that the voltage indicated on the rating plate located at the back of the vacuum cleaner is the same as your local supply.

## A - IDENTIFICATION OF MAIN PARTS

- A) Turbine nozzle (3 in 1 TURBINE NOZZLE)
- B) Connection pipe
- C) Hose
- D) Suction regulator
- E) Curved wand
- F) Telescopic wand
- G) Hose inlet
- H) Dust indicator
- I) Dust cover
- J) ON /OFF Switch pedal
- K) Cord rewind pedal
- L) Crevice nozzle
- M) Dusting brush
- N) Exhaust cover
- O) Plug
- P) Variable power control button

## B - HOW TO ASSEMBLE YOUR CLEANER

- B-1** Insert connection pipe into hose inlet until it locks. When removing hose assembly, pull out connection pipe with pushing down two connection buttons.  
**NOTE:** Do not bend, pull and step on the hose or put anything heavy on it.
- B-2** Insert the hose unit into the upper end of the telescopic wand. Twist the telescopic wand so that the round hole will fit into the tab on the hose unit. (When removing the hose, push the tab down while pulling out the telescopic wand)  
Attach the Turbine Nozzle to the other end ( Removal as per reverse procedure)
- B-3** You can adjust the length of telescopic wand by pushing button.

## C - HOW TO OPERATE YOUR CLEANER

- C-1 Pull out the mains lead and put the plug into the socket outlet.**
- C-2 Gently press at the centre of the switch pedal to turn ON the vacuum cleaner.**  
Press the pedal again to turn it OFF.
- C-3 Power control**  
To increase or decrease the power, turn the variable power control button.
- C-4 Switching 3 positions.**  
Flooring (PARQUET): Set position A  
Carpet (short): Set position B  
Carpet (long or hard to push): Set position C
- C-5** The curved wand of the hose is attached with a manual suction regulator, which allows you to briefly reduce the suction level.
- C-6 After you finish vacuuming, remove the plug from the wall socket and press the cord rewind pedal.**  
When rewinding the power cord, press the cord rewind pedal by holding the plug so that it does not become damaged.
- C-7 Storage position**  
Slide the wand holder attached to turbine nozzle pipe straight into the wand supporter on the under side of the main body.
- C-8 Park position**  
For short breaks during vacuuming, slide the wand holder attached to the turbine nozzle pipe into the wand supporter on the rear side of main body.  
**NOTE:** When you use park position, we suggest the appliance is switched off.

## D - MAINTENANCE AND SERVICING

### CAUTIONS

- **The plug must be removed from the socket-outlet before cleaning or maintaining the appliance.**
- **To avoid injury, keep your fingers and hands away from the beater bar.**
- **DO NOT use hot air or hot surface to dry filters. Keep at room temperature for approximately 24 hours.**
- **IMPORTANT: Before re-installing the washable filters, make sure they are completely dry to avoid damaging the cleaner.**

#### Indicator for replacing the dust bag

Turn the power control to the highest setting and lift the nozzle off the floor. If the dust indicator turns red, the dust bag is full and requires replace the dust bag.

**NOTE:** If the dust bag is not properly installed, the cover will not close. Be sure to check that the bag is properly installed before operating, otherwise dust will leak out. The dust bag can easily lay on the dust cover packing or clip between bag collar and body, so be sure to properly extend it into the vacuum cleaner body.

#### Replacing the dust bag

- D-1 Lift dust cover catch and raise dust cover until it clicks properly.**
- D-2 Remove bag collar from bag holder and pull out dust bag.**
- D-3 Set a new dust bag.**
- D-4 Close dust cover properly until you hear it click.**

#### Turbine nozzle

- D-5** After removing the brush cover with a coin, remove the beater bar from the belt.  
Then cut across threads, strings, hairs, etc. from the beater bar with a pair of scissors. (Removal as per reverse procedure)  
**NOTE:** Take care not to cut the brush.  
Do not wash in water.

#### Vacuum cleaner body

- D-6** Wipe with a soft cloth soaked with water.

#### Maintaining the Pre-motor Filter

Follow the procedure written below when the suction power is not restored after replacing a new bag.

- D-7 Open the dust cover.**
- D-8 Remove the pre-motor filter.**
- D-9 Wash gently with water and then allow to dry in a shaded location.**
- D-10 Replace to its original location.**

**NOTE:** Make sure you remember to replace the filter. If the filter is not installed, it will cause motor failure.

- Do not wash the filter in a washing machine or dry it with a dryer or other source of hot air.

#### Filter care

##### D-11 Exhaust filter

Exhaust filter is installed in the rear side of the vacuum cleaner. This filter retains any small dust particles which may be present in the expelled air. It is advisable to change the filter once or twice a year, depending on use. To change the filter, hold the exhaust cover (as illustrated) and pull it out. After changed the filter, set the exhaust cover to its position (as illustrated).

#### NOTE:

**IMPORTANT:** Never use the cleaner without the correct filters properly installed. Failure to do so may result in damage to the motor.

### What to do if your cleaner does not work

Check that the appliance is correctly plugged in and that the electrical socket is working. In case that the thermal cut-out device has operated, wait until it resets after approximately 60 minutes. If after having checked the mentioned points, the cleaner does not work, take it to an Authorized Service Centre to be repaired.

### What to do when the suction performance reduces

- Stop the cleaner and unplug from the socket.
- Check whether the wands, hose and accessories are blocked or not. If they are blocked, remove the obstruction.
- Check that the dust bag is full. If it is full, replace it to a new one.
- Check that Pre-motor Filter or Exhaust Filter is blocked with dust. If they are blocked, clean them out or replace.

SPECIFICATIONS	MC-CG467
POWER SOURCE	AC120V ~ 60Hz
CURRENT	11Amps
AUTOMATIC CORD REWIND	YES
DUST BAG	PAPER
DUST CAPACITY	3.0L
CORD LENGTH	5.0m (16ft.)
EXTENSION WANDS	METAL TELESCOPIC
NOZZLE	3 in 1 TURBINE NOZZLE
WEIGHT (WITH ACCESSORIES)	4.5 kg (9.9lbs.)
DIMENSIONS (W×L×H)	280mm×425mm×260mm (11in×16.7in×10.2in)
ACCESSORIES NOZZLE	CREVICE NOZZLE & DUSTING BRUSH

#### REMINDER FOR CUSTOMER

The model and serial number of this product may be found on the nameplate located at the underside of your cleaner. You should note the model and serial number in the spaces provided and retain this book as a permanent record of your purchase.

Model Number. ....  
 Serial No. ....  
 Date Purchased. ....  
 Where Purchased. ....

**D**