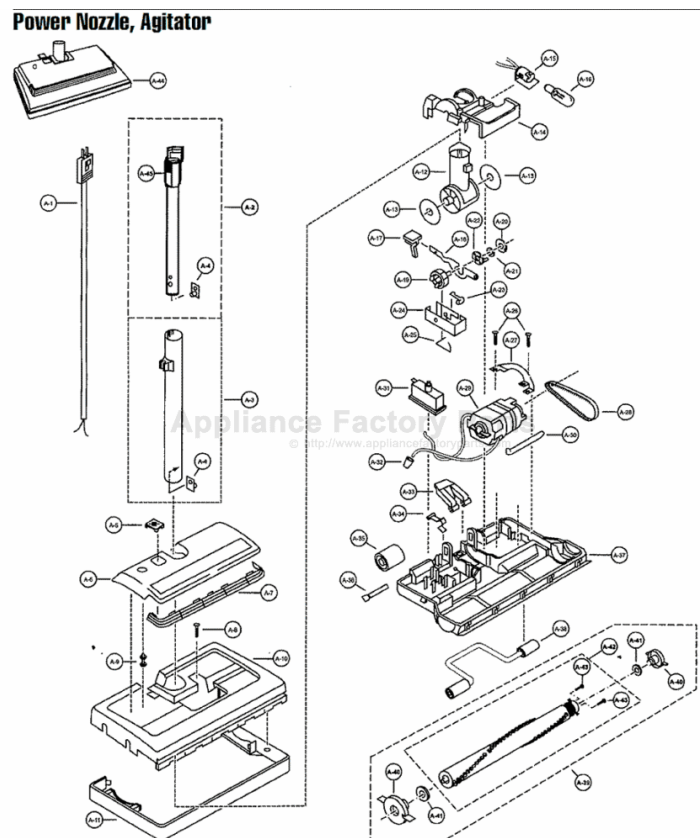


This Owner's Manual is provided and hosted by [Appliance Factory Parts](http://Appliance Factory Parts).



# PANASONIC V9628 Owner's Manual

[Shop genuine replacement parts for PANASONIC V9628](#)



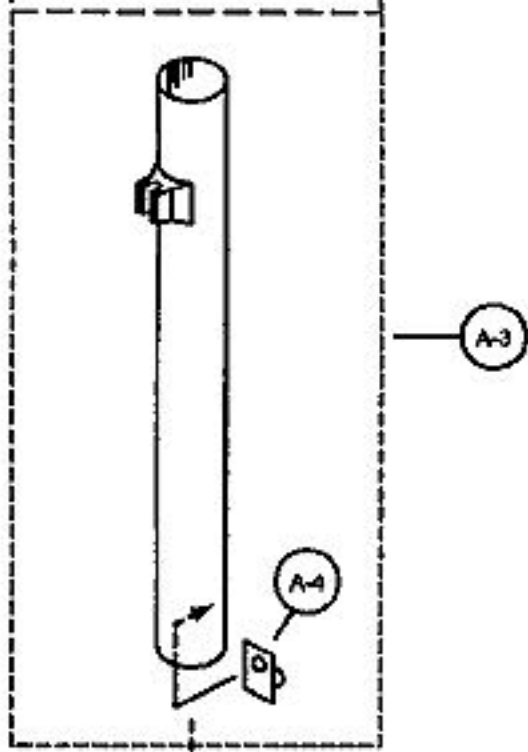
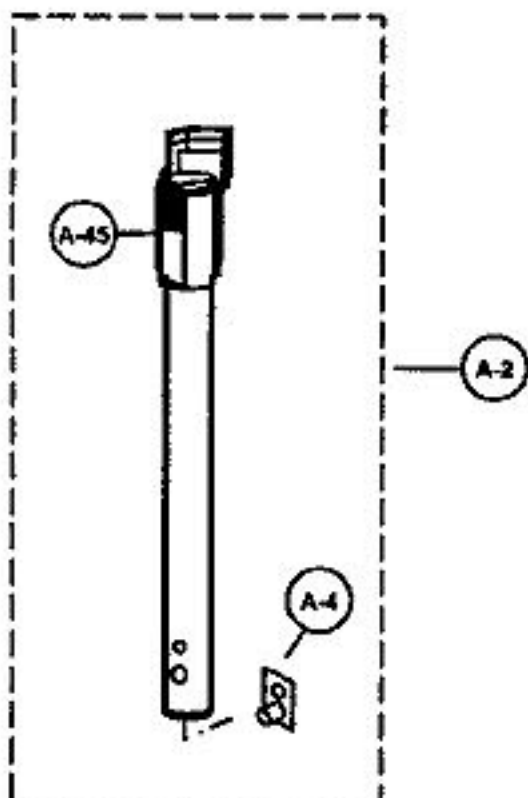
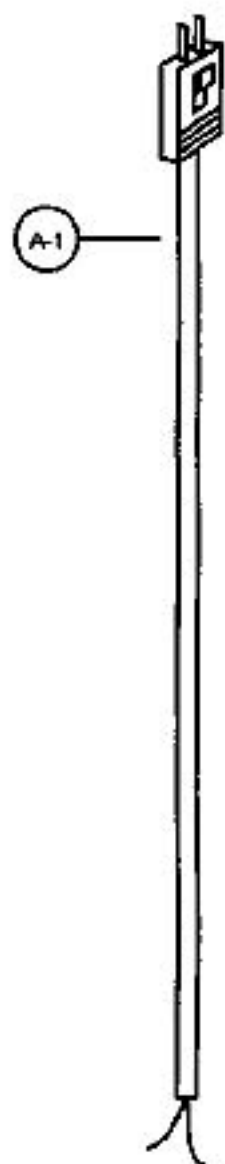
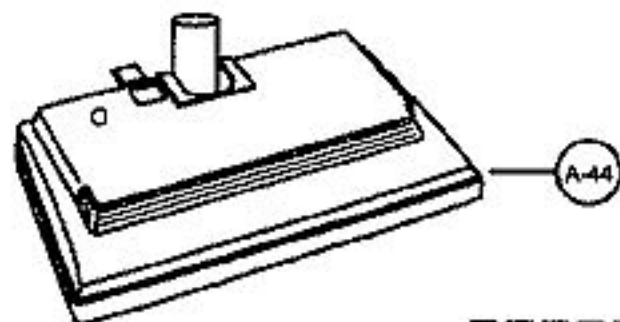
[Find Your PANASONIC Vacuum Cleaner Parts - Select From 605 Models](#)

----- Manual continues below -----

# PANASONIC

Models: MC-V9628

## Power Nozzle, Agitator



A-13

A-17

A

A-2

A-31

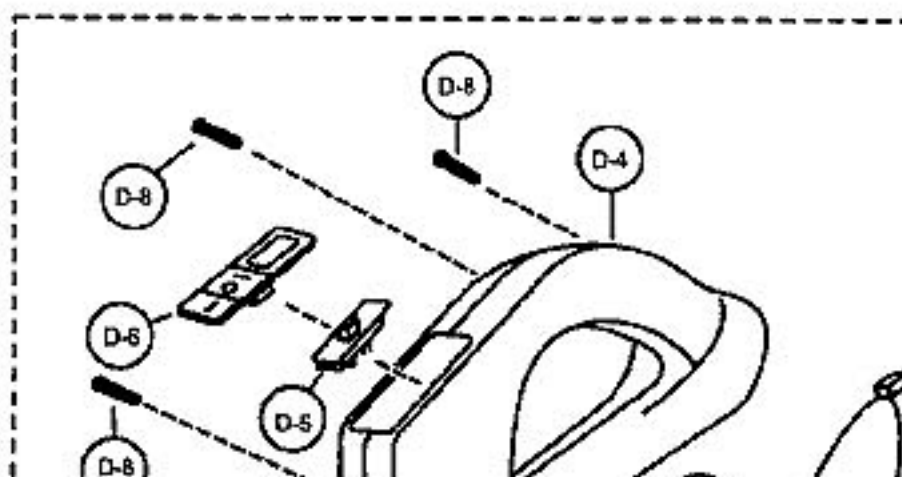
A-32

# PANASONIC

Models: MC-V9628

- |    |       |          |       |                         |    |     |          |       |                  |
|----|-------|----------|-------|-------------------------|----|-----|----------|-------|------------------|
| 1  | ..... | P-11155  | ..... | Cord Unit               | 16 | ... | P-7550   | ..... | Bulb, headlight  |
| 2  | ..... | P-10631  | ..... | Wand assembly, Upper    | 17 | ... | P-11107  | ..... | Pad, foot pedal  |
| 3  | ..... | P-11191  | ..... | Wand assembly, Lower    | 18 | ... | P-00129  | ..... | Lever, indicator |
| 4  | ..... | P-000372 | ..... | Lock, spring wand       | 19 | ... | P-111397 | ..... | Cam, indicator   |
| 5  | ..... | P-00124  | ..... | Lens, height adjustment | 20 | ... | P-00130  | ..... | Washer, thrust   |
| 6  | ..... | P-11096  | ..... | Power head cover        | 21 | ... | P-00131  | ..... | Washer           |
| 7  | ..... | P-00126  | ..... | Lens, light cover       | 22 | ... | P-00132  | ..... | Catch, indexing  |
| 8  | ..... | P-00036  | ..... | Screw, nozzle cover     | 23 | ... | P-00078  | ..... | Ratchet, catch   |
| 9  | ..... | P-11098  | ..... | Extension button        | 24 | ... | P-00133  | ..... | Indicator block  |
| 10 | ...   | P-11097  | ..... | Cover nozzle            | 25 | ... | P-00134  | ..... | Spring, assist   |
| 11 | ...   | P-11099  | ..... | Guard, furniture        | 26 | ... | P-000342 | ..... | Screw, motor b   |
| 12 | ...   | P-111400 | ..... | Swivel                  | 27 | ... | P-00135  | ..... | Bridge, motor    |
| 13 | ...   | P-00128  | ..... | Seal, swivel            | 28 | ... | P-320B   | ..... | Cog, belt (type  |
| 14 | ...   | P-11109  | ..... | Swivel Cap              | 29 | ... | P-11109  | ..... | Motor, nozzle    |
| 15 | ...   | P-9367   | ..... | Socket, bulb            | 30 | ... | P-00137  | ..... | Spring, motor a  |

- |   |       |         |       |                  |
|---|-------|---------|-------|------------------|
| 1 | ..... | P-11164 | ..... | Hose assembly    |
| 2 | ..... | P-11165 | ..... | Hose unit        |
| 3 | ..... | P-11122 | ..... | Ornamental plate |
| 4 | ..... | P-11123 | ..... | Handle unit      |
| 5 | ..... | P-11124 | ..... | Switch           |
| 6 | ..... | P-11125 | ..... | Switch button    |
| 7 | ..... | P-11126 | ..... | Suction control  |
| 8 | ..... | P-10691 | ..... | Screw            |



# PANASONIC

Models: MC-V9628

1	P-11157	Canopy cover
2	P-11128	Brake pedal
3	P-111398	Spring, cord button
4	P-11127	Final filter
5	P-11158	Motor shield
6	P-11129	cord cover
7	P-11130	HEPA filter
8	P-11131	Relay
9	P-4104	screw
10	P-11132	Motor assembly
11	P-11133	Motor seal assembly
12	P-11134	Lead wire
13	P-11135	Lead wire
14	P-8182	Brush, motor
15	P-11136	Motor
16	P-11137	screw
17	P-000272	Screw
18	P-11159	Cord reel
19	P-111399	Handle grip
20	P-11160	Wheel, rear
21	P-11139	Lower body
22	P-11161	Filter frame
23	P-111321	Bumper, molded
24	P-11141	Wiring harness
25	P-00021	Pin, caster retainer
26	P-11142	Wheel, caster
27	P-11143	Caster, roller unit
28	P-11144	Bulkhead
29	P-111258	Dust box unit
30	P-11146	Tool storage cover
31	P-11147	Hood latch
32	P-11148	Crevice tool
33	P-11162	Dusting brush
34	P-11163	Floor brush
35	P-11151	Fabric brush
36	P-150M	Bag, dust
37	P-00008	Mount, bag
38	P-00101	Gasket, port

