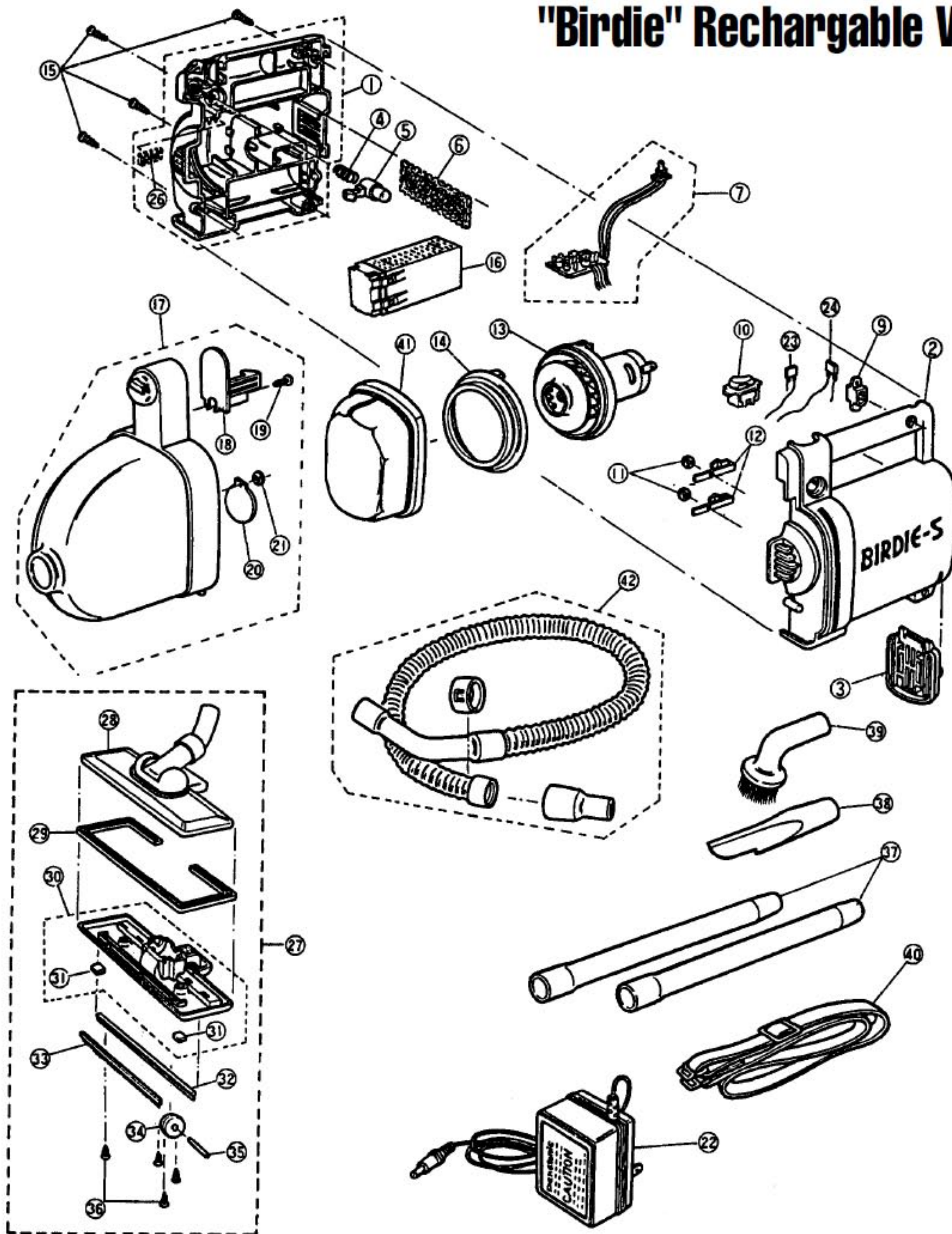


Models: MC-B40

"Birdie" Rechargeable Vacuum



- | | | | | | |
|-----------------|--|-----------------|-------------------------|------------------|----------------------|
| 1 N/A | Body, right | 15 N/A | Screw, body | 30 P-0302 | Floor Nozzle Lower |
| 2 P-2203 | Body, left | 16 P-1003 | Battery | 31 P-062 | Nozzle Felt |
| 3 N/A | Lid | 17 P-8803 | Dust Container Assembly | 32 N/A | Floor Nozzle Rubber |
| 4 P-13108 | Spring, release button | 18 P-2000 | Release Button Hook | 33 P-381 | Brush, floor nozzle |
| 5 P-0106 | Release Button | 19 N/A | Screw | 34 P-9031 | Roller, floor nozzle |
| 6 N/A | Packing, outlet | 20 P-450 | Valve Grommet | 35 P-3930 | Shaft, roller |
| 7 P-2800 | P.C. Board, w/ component & charging lamp | 21 P-6000 | Stopper | 36 P-13143 | Screw |
| 9 P-56 | Charging, Connector | 22 P-610 | Battery Charger | 37 P-4000 | Extension Wand |
| 10 P-0104 | Switch, on / off | 23 N/A | Fuse, 20 amp | 38 P-6002 | Crevice Tool |
| 11 P-6000 | Stopper | 24 P-9700 | Fuse, 5 amp | 39 P-8802 | Dusting Brush |
| 12 P-1801 | Contact Terminal | 26 P-1902 | Body Packing | 40 P-940 | Shoulder Strap |
| 13 P-9201 | Motor Assembly, w/ fan | 27 P-9901 | Floor Nozzle Assembly | 41 P-9502 | Filter |
| 14 P-0203 | Motor Support, rubber | 28 P-9800 | Floor Nozzle Upper | 42 P-9401 | Hose Assembly |
| | | 29 P-0900 | Furniture Guard | | |