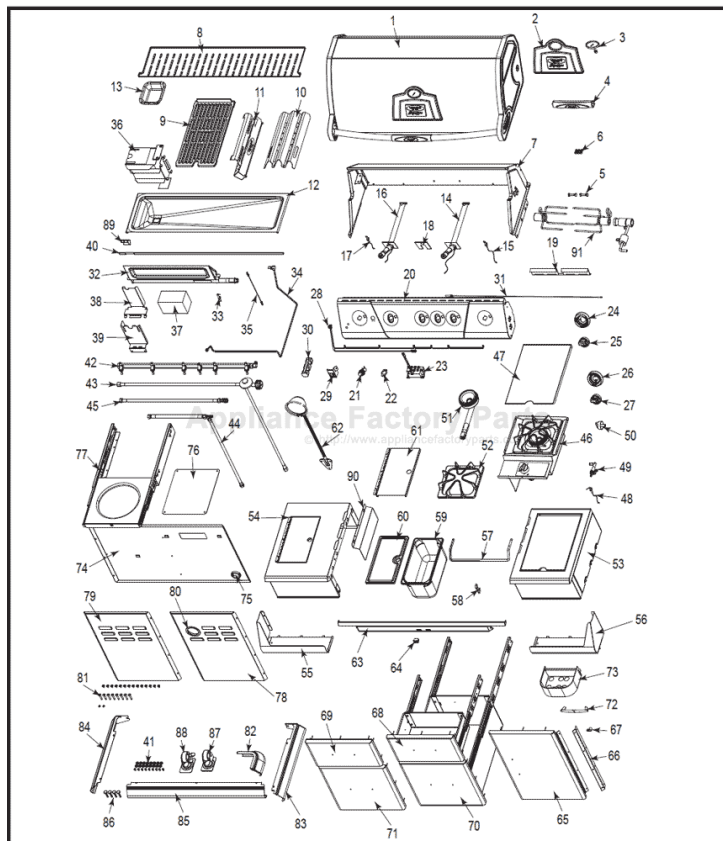


This Owner's Manual is provided and hosted by [Appliance Factory Parts](#).



Vermont Castings VCS5038 Owner's Manual

[Shop genuine replacement parts for Vermont Castings
VCS5038](#)



[Find Your Vermont Castings Grill Parts - Select From 273 Models](#)

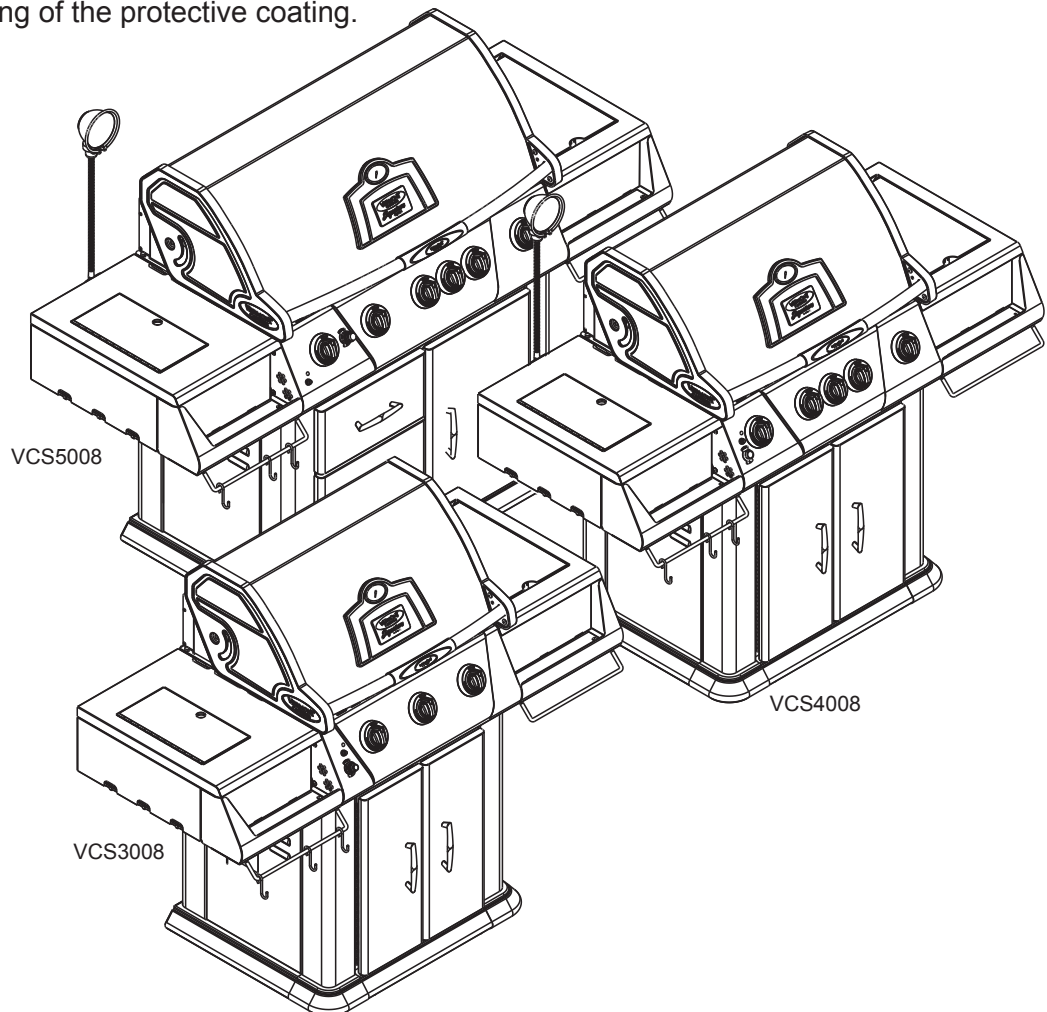
----- Manual continues below -----



Assembly Procedures

VCS3008 Series / VCS4008 Series / VCS5008 Series

Tools Required: Knife or scissors, Phillips or Robertson (square head) screwdriver, 7/16" and 3/8" wrench or ratchet. The use of a manual screwdriver is strongly recommended. A power drill may cause damage to the unit or stripping of the protective coating.



CAUTION: This grill is intended **ONLY** to be used as a cart model, this grill cannot be built into an enclosure.

CAUTION: The assembly of this grill requires two (2) people.

WARNING: Some parts may have sharp edges; to avoid injury, wearing gloves during assembly, lifting or moving the grill is recommended. Protective eyewear and long sleeves are also strongly recommended.

NOTE: Remove the protective plastic coating from the stainless steel, failure to do so will void the warranty.

Step 1: Unpack Carton and Verify Contents

Use a sharp cutting tool to cut the straps on the packaging and then lift off the carton top. Remove the box on the top. The sleeve surrounding the barbecue can be removed by lifting it straight up and over the top of the unit. Compare all contents to the parts list and the carton content lists below. Remove the protective plastic coverings from the metal parts. Be careful not to scratch or damage the finish of the metal parts when removing the protective plastic. Refer to the parts list for fastener detail.

CAUTION: Some parts may have sharp edges; to avoid injury, wearing gloves during assembly is strongly recommended.

VCS3008 Series Carton Contents

Box 1 (50004544)

Grease Pan
Cabinet Skirt Front Assy
Cabinet Skirt Assy Left
Cabinet Skirt Assy Right
Cabinet Skirt Corner Assy (2)
Hardware Bag Casters/Skirt
Knobs (3)
Adjustable Leveling Glide (Set of 4)
Battery "AAA"
Grease Cup

Box 2 (50004337)

Side Burner Assembly

Box 3 (50004567)

Heat Plate (3)

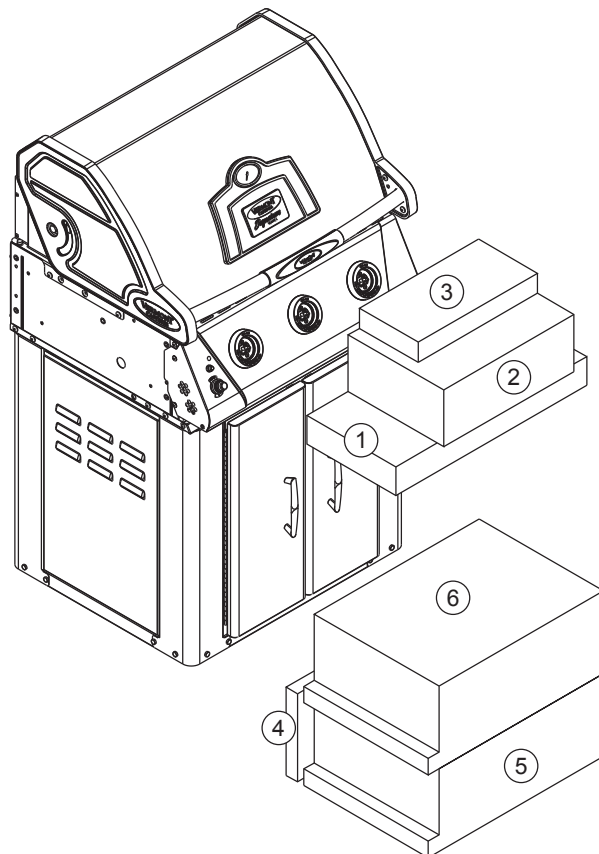
Box 4 (50004564)

Cook Grate (2)

Box 5 (50004990)

Shelf Right Assembly
Cover Side Burner
Hardware Bag Side Shelves
Condiment Tray Left
Condiment Tray Right
Towel Bar (2)
Utensil Hook (3)
Heat Shield Marinating Tray
Caster (2)
Caster w/Brake (2)

VCS3008



Box 6 (50004991)

Shelf Left Assembly
Cutting Board Corian
Marinating Tray
Door Accessory Shelf
Bracket Spit Rod Storage (2)

CAUTION: Some parts may have sharp edges; to avoid injury, wearing gloves during assembly, lifting or moving the grill is recommended.

Step 1: Unpack Carton and Verify Contents (continued)

VCS4008 Series Carton Contents

Box 1 (50004562)

Grease Pan
 Cabinet Skirt Front Assy
 Cabinet Skirt Assy Left
 Cabinet Skirt Assy Right
 Cabinet Skirt Corner Assy (2)
 Hardware Bag Casters/Skirt
 Knob Long Stem (4)
 Knob (2)
 Adjustable Leveling Glide (Set of 4)
 Battery "AA"
 Grease Cup

Box 2 (50004337)

Side Burner Assembly

Box 3 (50004871)

Marinating Tray
 Door Accessory Shelf
 Bracket Spit Rod Storage (2)

Box 4 (50004570)

Heat Plate (4)

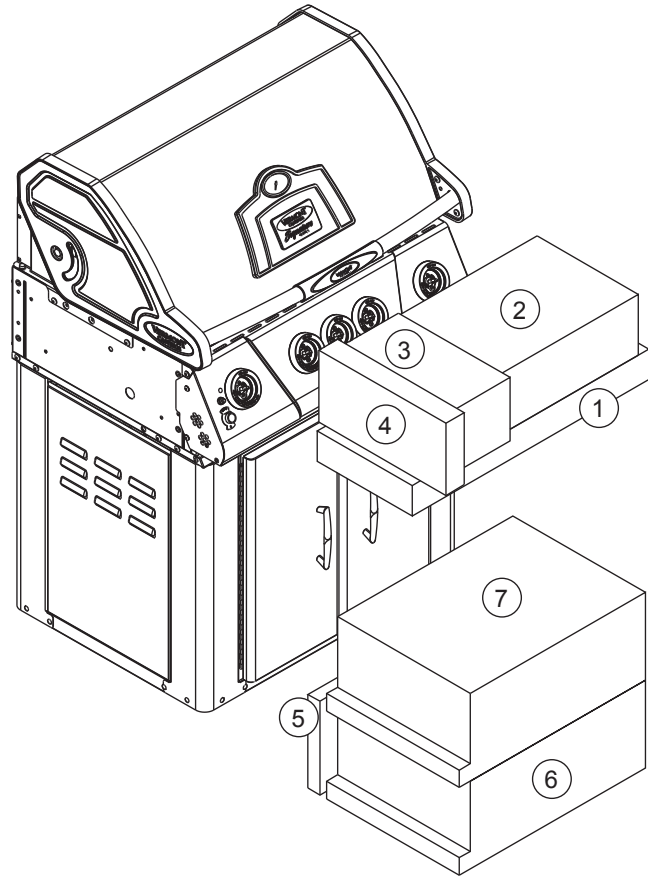
Box 5 (50004575)

Cook Grate (3)

Box 6 (50004990)

Shelf Right Assembly
 Cover Side Burner
 Hardware Bag Side Shelves
 Condiment Tray Left
 Condiment Tray Right
 Towel Bar (2)
 Utensil Hook (3)
 Heat Shield Marinating Tray
 Caster (2)
 Caster w/Brake (2)

VCS4008



Box 7 (50004992) LP Model

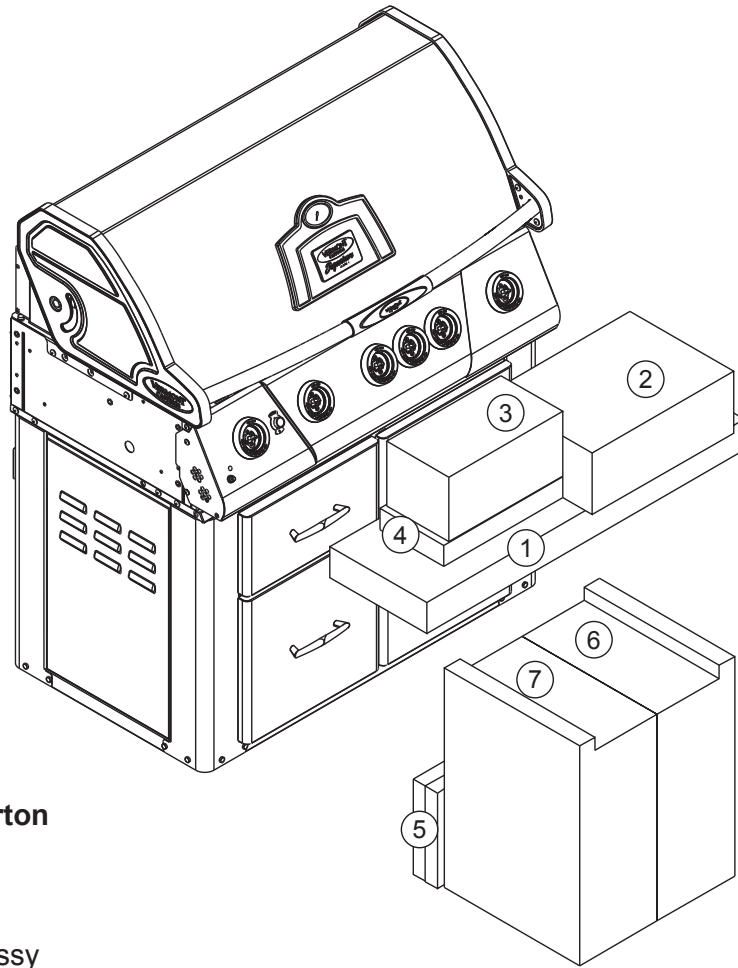
Shelf Left Assembly
 Cutting Board Corian
 Smoker Box
 Kit Pull-Out Tank
 Kit VC Light
 Rotisserie Kit

Box 7 (50004993) NG Models

Shelf Left Assembly
 Cutting Board Corian
 Smoker Box
 Kit VC Light
 Rotisserie Kit

CAUTION: Some parts may have sharp edges; to avoid injury, wearing gloves during assembly, lifting or moving the grill is recommended.

Step 1: Unpack Carton and Verify Contents (continued)



VCS5008 Series Carton Contents

Box 1 (50004551)

- Grease Pan
- Cabinet Skirt Front Assy
- Cabinet Skirt Assy Left
- Cabinet Skirt Assy Right
- Cabinet Skirt Corner Assy (2)
- Hardware Bag Casters/Skirt
- Knob Long Stem (4)
- Knob (2)
- Adjustable Leveling Glide (Set of 4)
- Battery "AA"
- Grease Cup

Box 2 (50004337)

- Side Burner Assembly

Box 3 (50004994)

- Marinating Tray
- Bracket Spit Rod Storage (2)

Box 4 (50004557)

- Heat Plate (5)

Box 5 (50004559)

- Cook Grate (4)

Box 6 (50004990)

- Shelf Right Assembly
- Cover Side Burner
- Hardware Bag Side Shelves
- Condiment Tray Left
- Condiment Tray Right
- Towel Bar (2)
- Utensil Hook (3)
- Heat Shield Marinating Tray
- Caster (2)
- Caster w/Brake (2)

Box 7 (50004992) LP Model

- Shelf Left Assembly
- Cutting Board Corian
- Smoker Box
- Kit Pull-Out Tank
- Kit VC Light
- Rotisserie Kit

Box 7 (50004993) NG Models

- Shelf Left Assembly
- Cutting Board Corian
- Smoker Box
- Kit VC Light
- Rotisserie Kit

CAUTION: Some parts may have sharp edges; to avoid injury, wearing gloves during assembly, lifting or moving the grill is recommended.

Step 2: Install the Casters

This step requires 2 people.

Parts Required:

- (4) Casters (2 with brake, rear; 2 without brake, front)
- (1) Block (not included)
- (16) 1/4-20 Flange Nut (50001176)

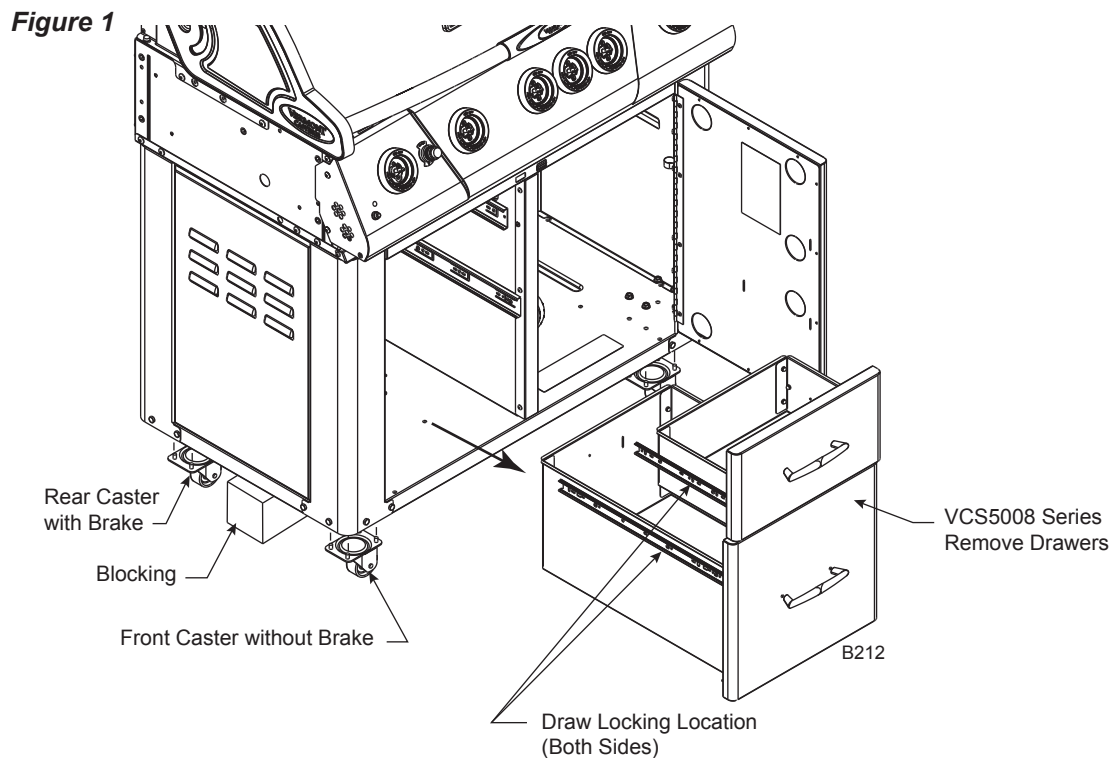
Figure 1

NOTE: Casters (wheels) may differ from those shown in the illustration depending on the model you purchased.

NOTE: For VCS5008 Series models, the drawers must be removed to complete this step. Do not replace the drawers at this time.

Select a side to begin installing the casters. Place a block of wood, thick telephone book or anything else available - approximately 6 inches thick - under the side to support the weight of the barbecue. Insert the four (4) bolts attached on the casters into their respective holes located on the bottom, near the front. If you have any difficulty snapping them into place, try rotating the casters in a circular motion.

As one person holds the front caster in place, the other opens the front door and installs four (4) flange nuts. Tighten the flange nuts on the front caster. Repeat this process with the rear caster. When both casters are in place on one side, repeat the same procedure on the opposite side.



CAUTION: Some parts may have sharp edges; to avoid injury, wearing gloves during assembly, lifting or moving the grill is recommended.

Step 3: Attach Skirt

Parts Required:

- (1) Skirt Left Assembly
- (1) Skirt Right Assembly
- (1) Skirt Front Assembly
- (2) Skirt Corner Assemblies
- (7) #10-24 x 3/8" Screws (50004268)
- (4) Adjustable Leveling Glide

Figures 2 & 3

NOTE: Remove protective coating from corner posts before proceeding with this step.

Screw-in two (2) adjustable leveling glides into hex threaded insert provided in front skirt assembly.

Screw-in one (1) adjustable leveling glide into hex threaded insert provided in left and right skirt assemblies.

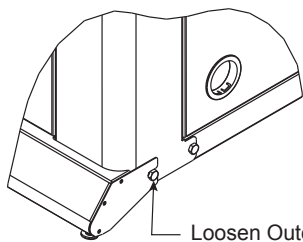
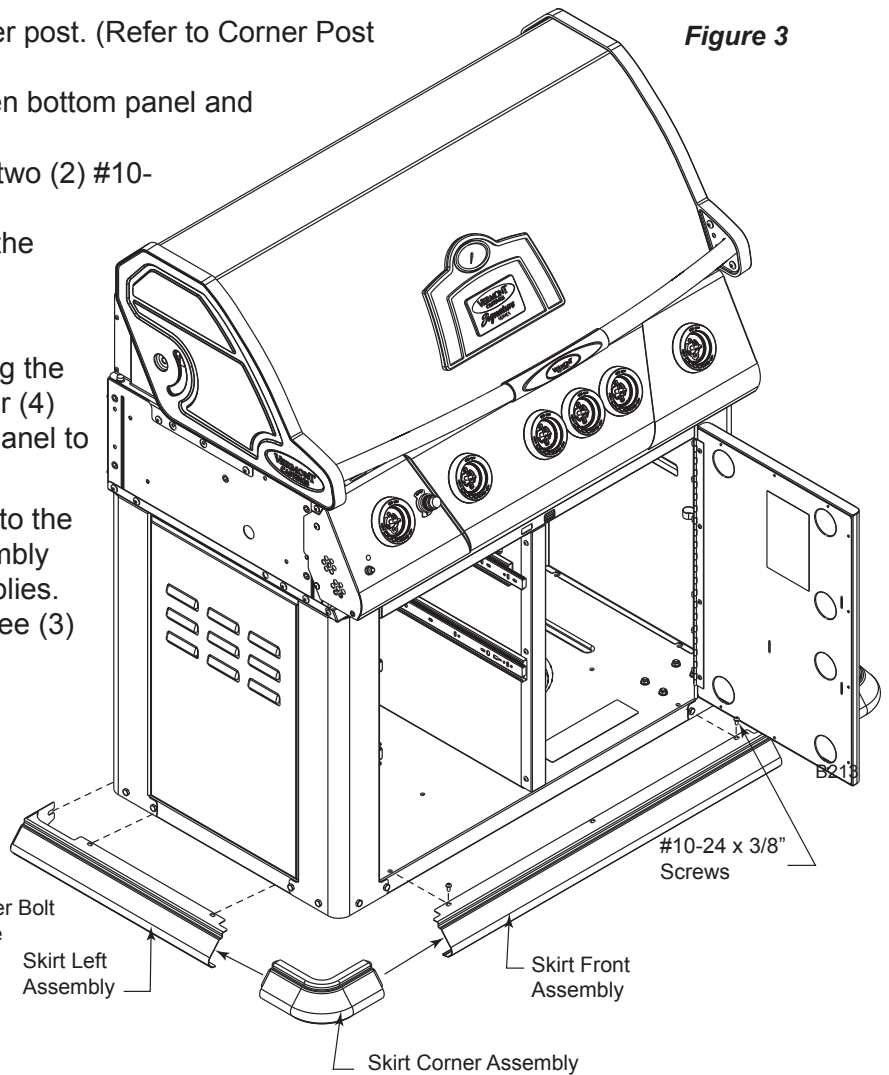
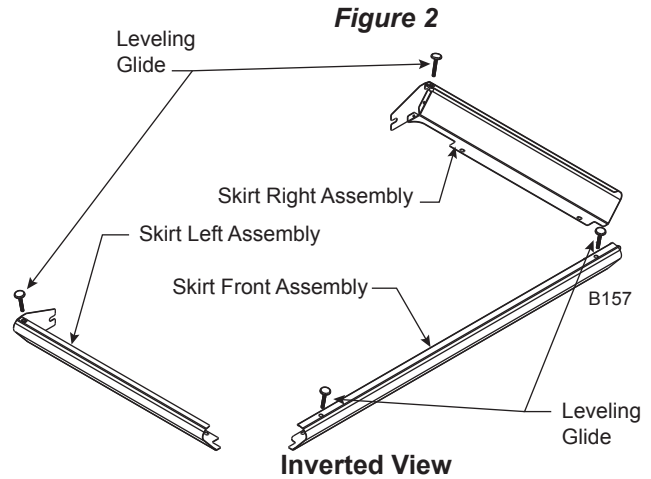
Attach left skirt assembly to the unit:

- Loosen one hex bolt from corner post. (Refer to Corner Post Detail)
- Slide left skirt assembly between bottom panel and side panel.
- Secure left skirt assembly with two (2) #10-24 x 3/8" screws.
- Tighten hex bolt at the back of the unit.

Repeat these steps for right side.

NOTE: If you have any problems sliding the skirt assembly (left or right), loosen four (4) screws on side panel and lift the side panel to allow more space.

Slide two (2) skirt corner assemblies into the front skirt assembly. Slide above assembly into attached left and right skirt assemblies. Secure all skirt assembly parts with three (3) #10-24 x 3/8" screws.



Corner Post/Skirt Detail

CAUTION: Some parts may have sharp edges; to avoid injury, wearing gloves during assembly, lifting or moving the grill is recommended.

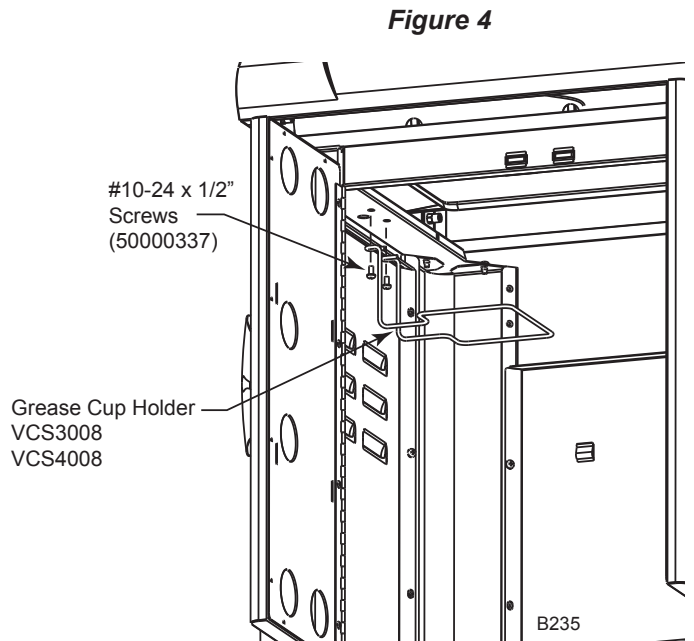
Step 4: Attach Grease Cup Holder (VCS3008, VCS4008 Series Only)

Parts Required:

- (1) Grease Cup Holder
- (2) #10-24 x 1/2" Screws (50000337)

Figure 4

Attach grease cup holder to the bottom of the left brace support.



Step 5: Grease Pan / Grease Cup Installation

Parts Required:

- (1) Grease Pan
- (1) Grease Cup

Figures 5 & 6

Install grease pan from back side of unit. **NOTE:** Be sure the grease tray is positioned with the opening in the bottom of the grease tray located over the grease cup.

Place grease cup into grease cup holder attached to bottom of left brace support.

NOTE: For VCS5008 Series, the grease cup holder sits in the opening in the cabinet top.

Figure 5

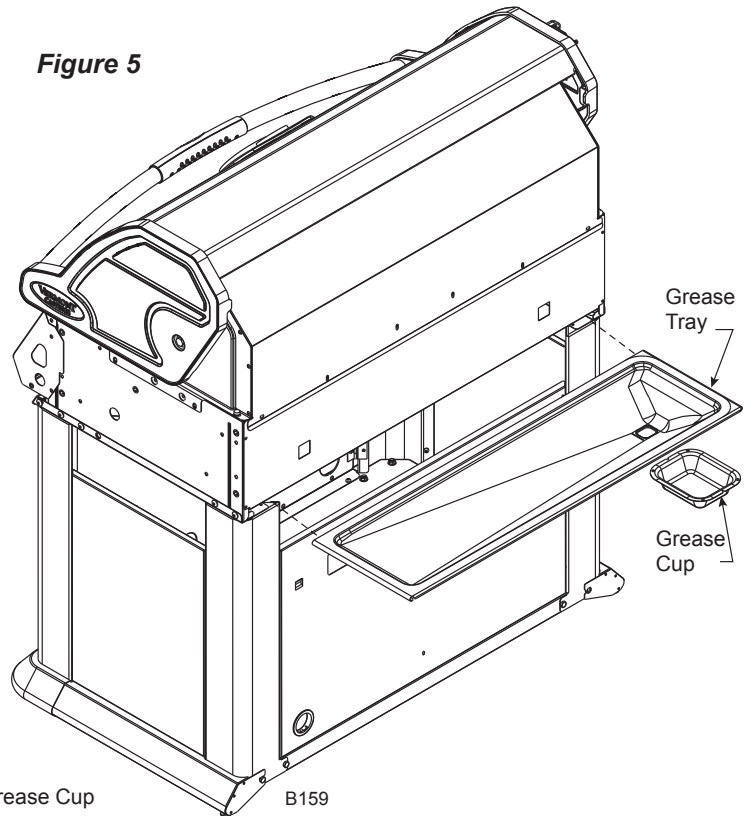
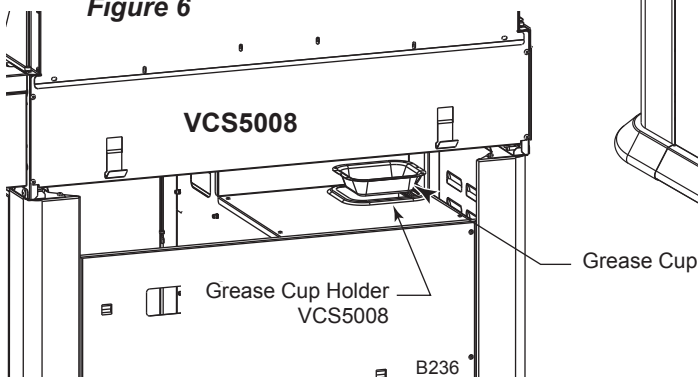


Figure 6



CAUTION: Some parts may have sharp edges; to avoid injury, wearing gloves during assembly, lifting or moving the grill is recommended.

Parts Required for Steps 6, 7, 8 & 9

Right Side Shelf

- (1) Kit Condiment Tray* (50004547)
- (1) Kit Shelf Right** (50004572)

Left Side Shelf

- (1) Kit Condiment Tray* (50004547)
- (1) Kit Shelf Left*** (50004571)

*Kit Condiment Tray (50004547) Contents

- (1) Condiment Tray Left
- (1) Condiment Tray Right
- (2) Towel Bars
- (3) Utensil Hooks

**Kit Shelf Right (50004572) Contents

- (1) Shelf Right Assy w/Support Brackets
- (1) Cover Side Burner Assy (Set aside for installation with side burner)
- (1) Hardware Bag (Used for both left and right shelf installation)

***Kit Shelf Left (50004571) Contents

- (1) Shelf Left Assy w/Support Brackets and Cutting Board Assy.
- (1) Cutting Board
- (1) Marinating Tray
- (1) Heat Shield Marinating Tray
- (2) Bracket Spit Rod Storage (Set aside for Step 11)

CAUTION: Some parts may have sharp edges; to avoid injury, wearing gloves during assembly, lifting or moving the grill is recommended.

Steps 6 & 7: Right & Left Side Shelf Assembly

Parts Required:

- (1) Kit Condiment Tray (50004547)
 - (1) Condiment Tray Left
 - (1) Condiment Tray Right
- (1) Kit Shelf Right (50004572)
 - (1) Shelf Right Assy w/Support Brackets
 - (1) Hardware Bag (for both right and left side shelves)
- (1) Kit Shelf Left (50004571)
 - (1) Shelf Left Assy. w/Support Brackets & Cutting Board Assy

Figure 7

Left Side Shelf

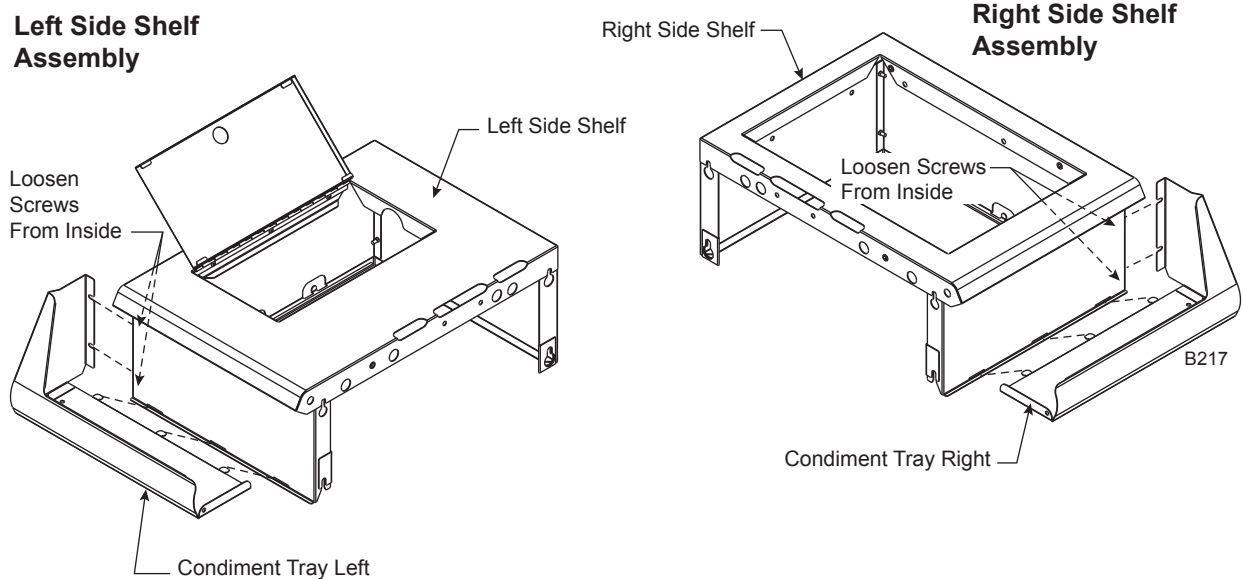
Loosen two (2) screws on the support front of the left shelf assembly.

Slide the front condiment tray into the gap between front support and the side panel as shown.

Tighten the two (2) screws loosened earlier.

Repeat for right side shelf.

Figure 7



CAUTION: Some parts may have sharp edges; to avoid injury, wearing gloves during assembly, lifting or moving the grill is recommended.

Step 8: Attach Right Shelf Assembly to Grill

Parts Required:

Right Shelf Assembly

- (1) Right Shelf Assy. (Step 6)
- (4) 1/4-20 x 1½" Screws (50001383)
- (2) #10-24 x 1/2" Screws (50000337)

Figures 8 & 9

Loosely screw in (4-5 turns) four (4) 1/4-20 x 1½" screws to the side of the grill.

Place right shelf assembly onto screws.

NOTE: Ensure the side burner ignitor wire is not pinched as the shelf assembly is installed into the unit.

Secure (tighten) four (4) screws to the grill.

Secure condiment tray to the console with one (1) #10-24 x 1/2" screw.

From inside grill, attach 10-24 x 1/2" screw to the right shelf assy.

Figure 8

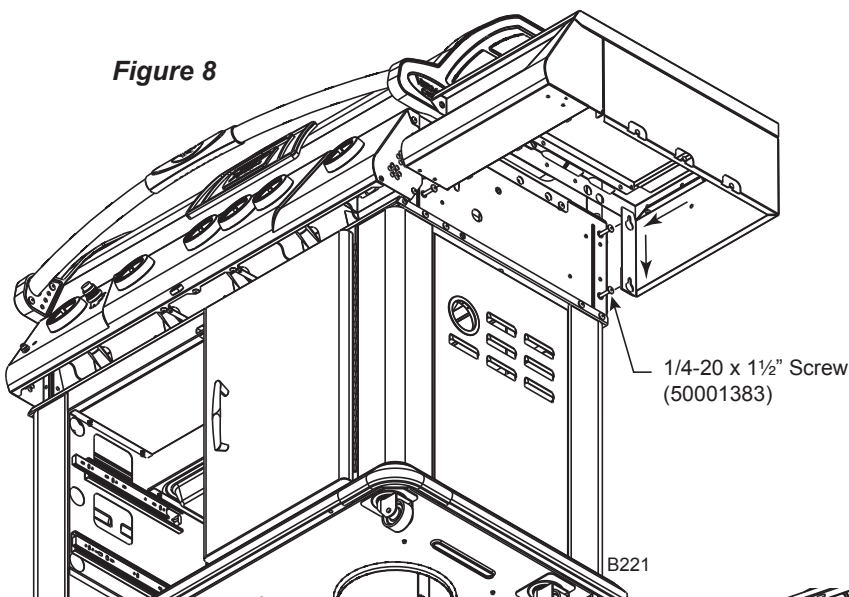
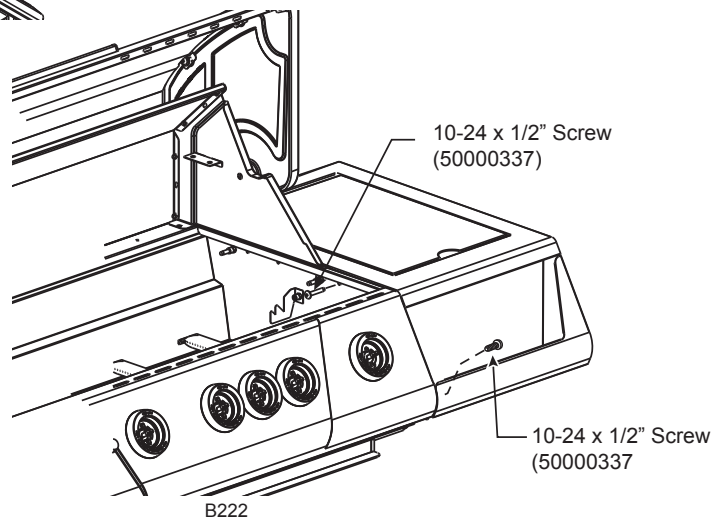


Figure 9



CAUTION: Some parts may have sharp edges; to avoid injury, wearing gloves during assembly, lifting or moving the grill is recommended.

Step 9: Attach Left Shelf Assembly to Grill

Parts Required:

Left Shelf Assembly

- (1) Left Shelf Assy. (Step 7)
- (4) 1/4-20 x 1 1/2" Screws (50001383)
- (4) #10-24 x 1/2" Screws (50000337)
- (1) Marinating Station Tray
- (1) Heat Shield Marinating Tray
- (2) #10-24 K-lock Nut (50000182)

Figures 10 & 11

Loosely screw in (4-5 turns) four (4) 1/4-20 x 1 1/2" screws to the side of the grill.

Place left shelf assembly onto screws.

Secure (tighten) four (4) screws to the grill.

Secure condiment tray to the console with one (1) #10-24 x 1/2" screws.

From inside grill, attach 10-24 x 1/2" screw to the left shelf assy.

Attach heat shield marinating tray to left side of grill. Insert two (2) #10-24 x 1/2" screws through grill side and secure with two (2) #10-24 K-lock nuts. (Fig. 10)

Insert marinating station tray into left side shelf. (Fig. 11)

Slide the cutting board into the top of the marinating station lid.

NOTE: For cutting board cover assembly: if you have any problems opening or closing, loosen the hinge bolts and adjust.

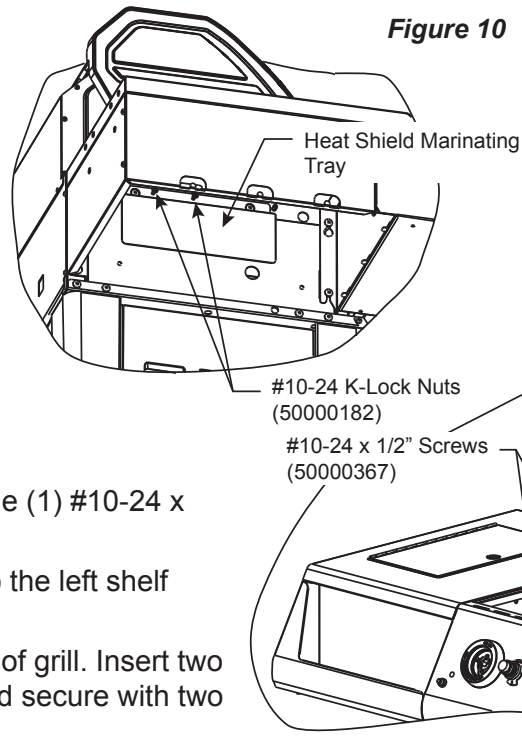
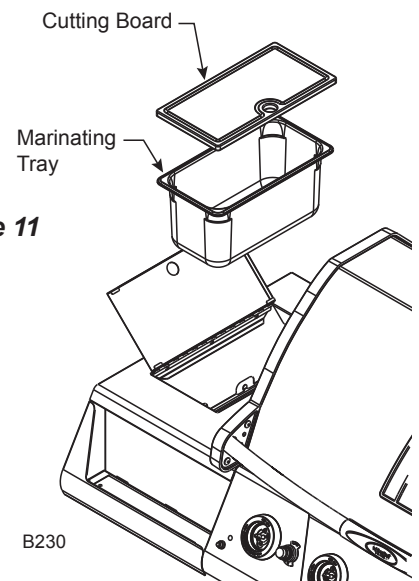


Figure 11



NOTE: For grill models with a marinating station: Loosen the two (2) bolts and nuts securing the heat shield marinating tray to the grill body. (Fig. 10) Attach the rotisserie motor bracket using the same mounting holes. Secure both the bracket and heat shield using bolts and nuts provided.

CAUTION: Some parts may have sharp edges; to avoid injury, wearing gloves during assembly, lifting or moving the grill is recommended.

Step 10: Attach Knobs

Parts Required:

VCS3008 Series: (3) Knobs (long stem)

VCS4008 Series: (5) Knobs (3 long stem, 2 short stem)

VCS5008 Series: (6) Knobs (4 long stem, 2 short stem)

Figures 12 & 13

Align the knobs on the valve stems and push inward until the knob sits snugly on the stem.

NOTE: Place the long stem knobs in the center raised portion of the console. The short stem knobs are placed on the right and left sides of the console.

Figure 12

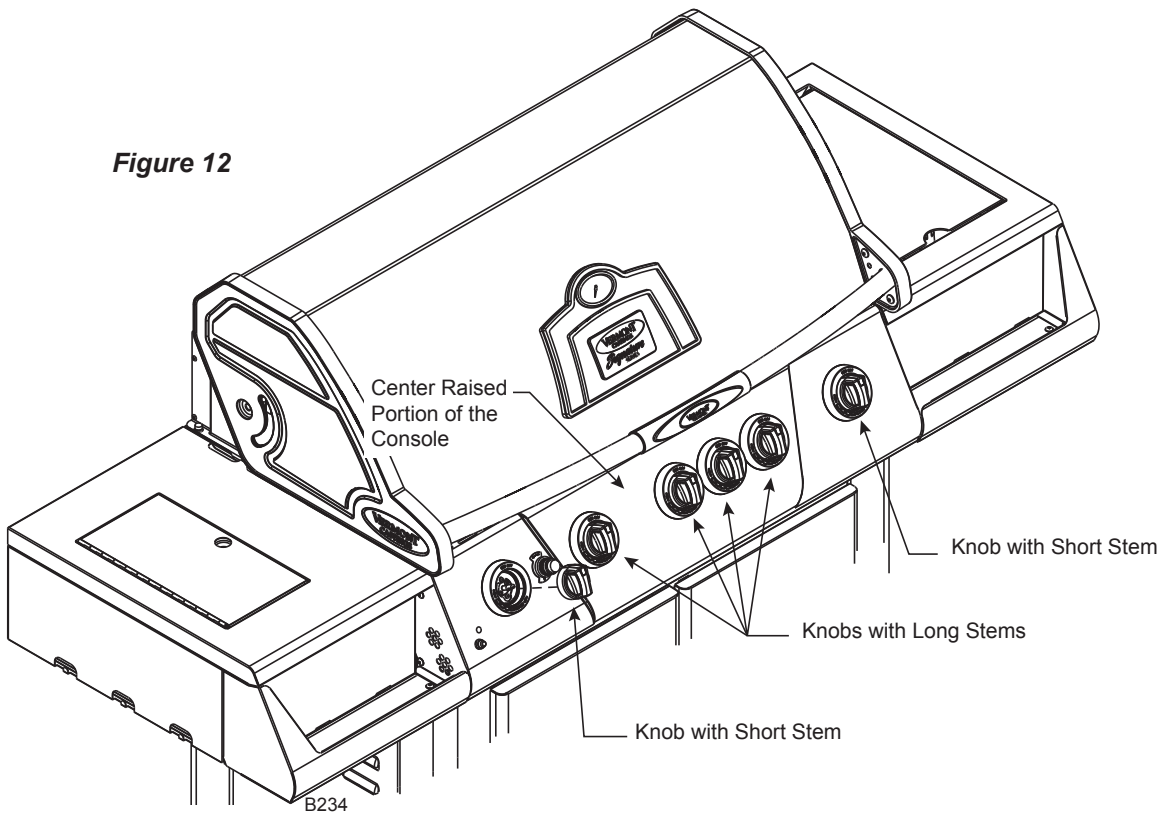
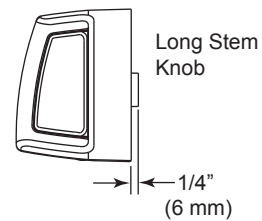


Figure 13



CAUTION: Some parts may have sharp edges; to avoid injury, wearing gloves during assembly, lifting or moving the grill is recommended.

Step 11: Attach Towel Bars, Utensil Hooks and Spit Rod Storage Brackets

Parts Required

Left Side

- (1) Towel Bar
- (3) Utensil Hooks
- (4) #10-24 x 1/2" Screws (50000337)

Right Side

- (1) Towel Bar
- (4) #10-24 x 1/2" Screws (50000337)

Spit Rod Storage Bracket

- (2) Brackets (50004310)

Towel Bars and Utensil Hooks

Figure 14

Slide three (3) utensil hooks into the towel bar. (Left side only)

Attach towel bar with utensil hooks to left side condiment tray as shown using four (4) #10-24 x 1/2" screws.

Attach towel bar without utensil hooks to right side condiment tray.

Spit Rod Storage Brackets

Figure 15

The spit rod storage brackets are located on the back upper panel of the grill.

Tilt the bracket as shown, so the larger end of the bracket will fit into the opening. Then slide the bracket down. Repeat for both brackets.

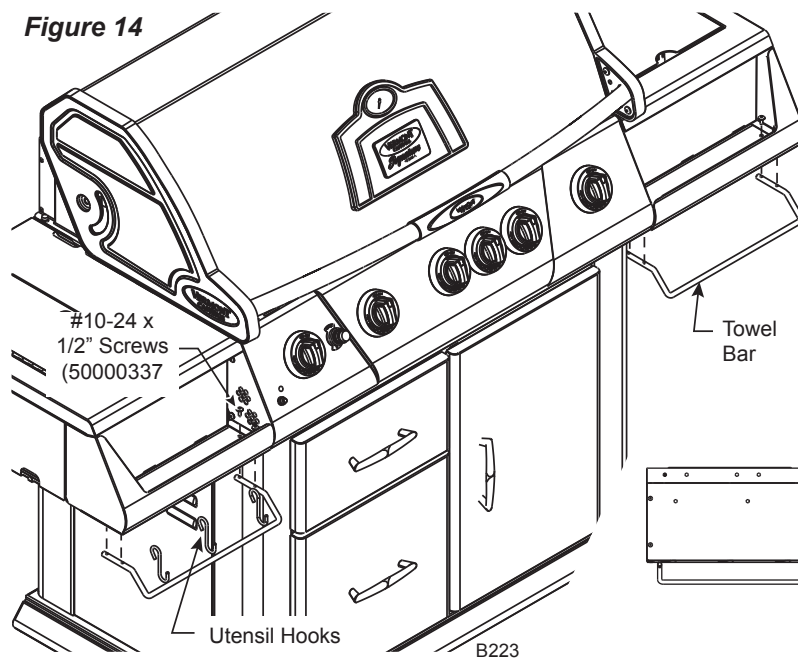
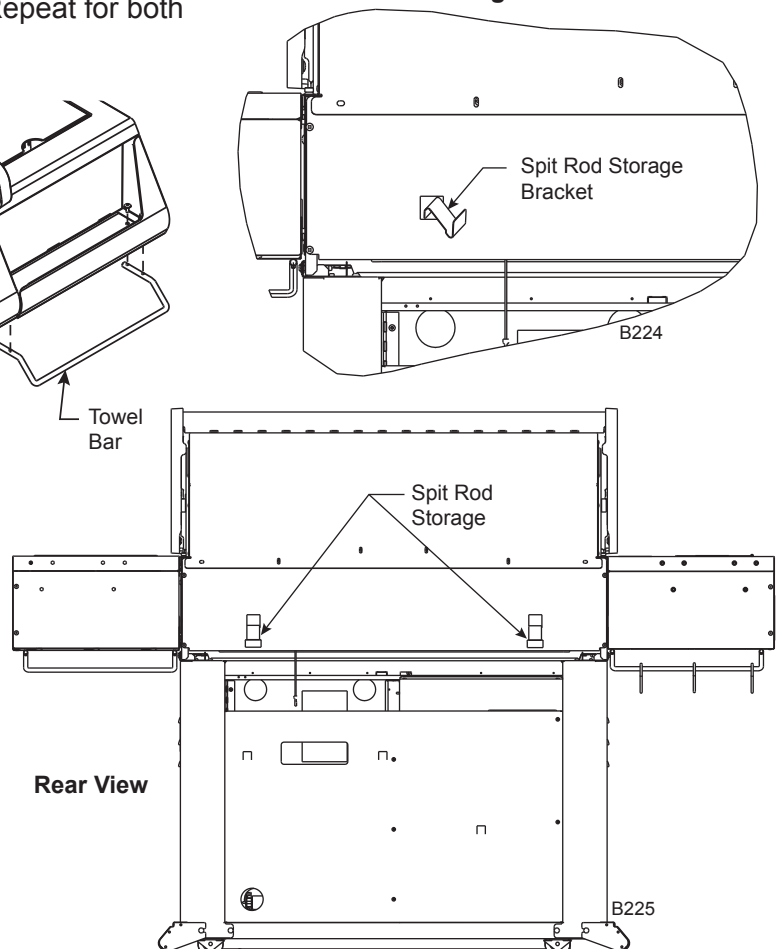


Figure 15



CAUTION: Some parts may have sharp edges; to avoid injury, wearing gloves during assembly, lifting or moving the grill is recommended.

Step 12: Attach Side Burner Assembly

Follow Side Burner Assembly Instructions to assemble side burner to unit.

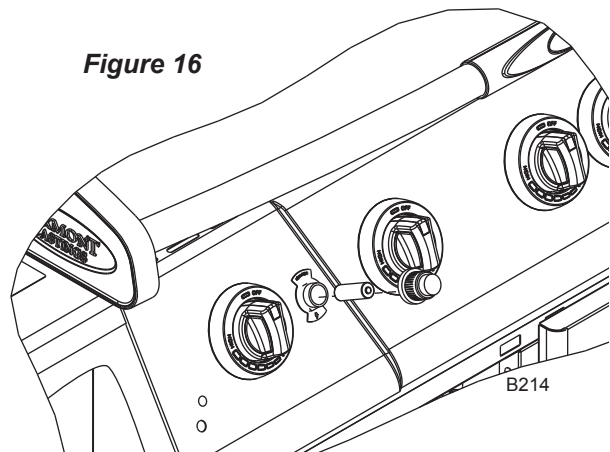
Step 13: Install the Ignitor Battery

NOTE: VCS3008 Series require one (1) “AAA” battery. (Included)
 VCS4008 and VCS5008 Series require one (1) “AA” battery.

Figure 16

Unscrew the ignition button from the console and insert the appropriate battery into the housing by placing the positive side of the battery first. Then screw the ignition button back into the console.

Check for sparks under each main burner before proceeding.



Step 14: Install the Backlighting Batteries

NOTE: Eight (8) “AA” batteries are required for all grill models. (Not included)

NOTE: For VCS5008 Series, the top left drawer must be removed for battery installation.

Figures 17 & 18

Remove the battery case from the battery holder. Insert the eight (8) “AA” batteries. Attach battery case to back light wire connection. Reinstall battery case in battery holder with back light connector on the top.

WARNING: Replacing the battery incorrectly might result in an explosion. Replace the battery only with the same or equivalent type recommended by the manufacturer. Dispose of used batteries according to your local environmental guidelines.

Figure 17

VCS3008
 VCS4008

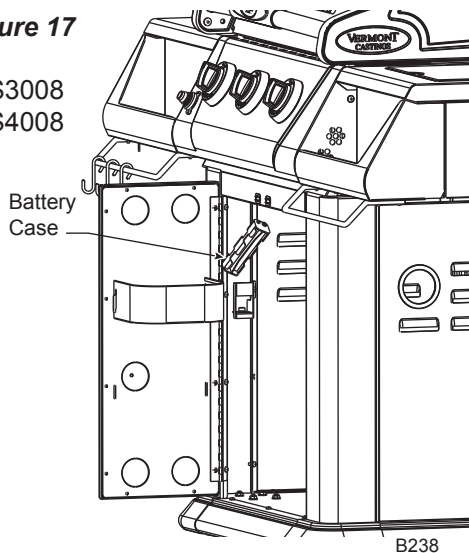
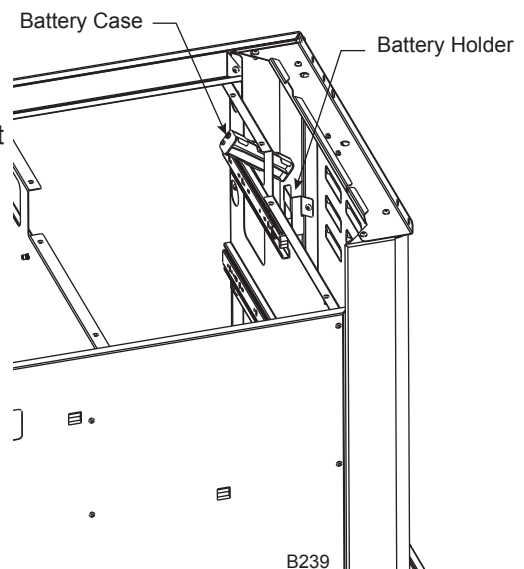


Figure 18

VCS5008
 Shown without
 grill top for
 clarity



CAUTION: Some parts may have sharp edges; to avoid injury, wearing gloves during assembly, lifting or moving the grill is recommended.

Step 15: Install the Internal Components

Parts Required:

VCS3008 Series (3) Sear Plates
(2) Cooking Grates
(1) Warming Rack

VCS4008 Series (4) Sear Plates
(3) Cooking Grates
(1) Warming Rack
(1) Smoker Box Assy

VCS5008 Series (5) Sear Plates
(4) Cooking Grates
(1) Warming Rack
(1) Smoker Box Assy

Figures 19, 20 & 21

Carefully place each of the sear plates side by side inside the barbecue. (Fig. 19) Make sure the semicircular finger groove is facing toward the front of the grill. Each sear plate rests just above each burner tube.

NOTE: For VCS4008 and VCS5008 Series grills, place the smoker box assembly on any sear plate by laying the bracket over the sear plate so the 'z' ends of the bracket fit into the 'z' slots of the sear plate. slide the smoker box assembly back into the locked position. (Fig. 20) Continue placing the remaining sear plates. The smoker box may be left in place when not being used. **CAUTION:** Only add wood chips to the smoker box when grill is cool.

Figure 19

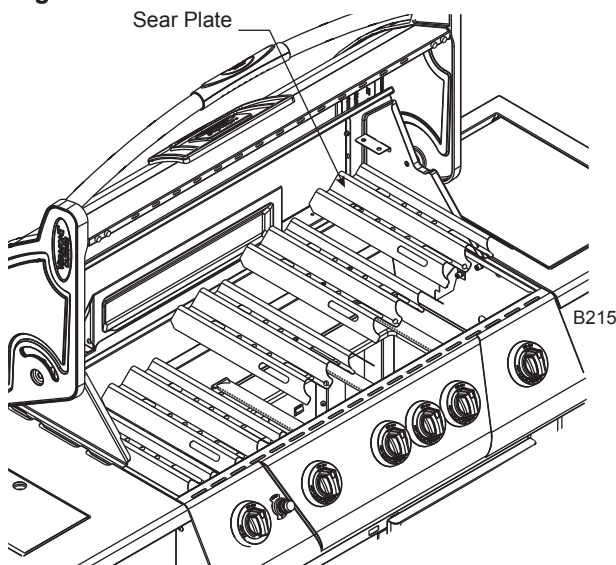
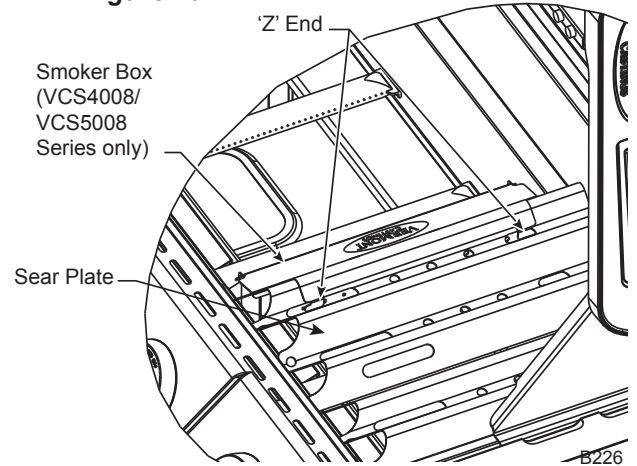


Figure 20



Cooking Tips - Smoker Box

- To produce more smoke and prevent fast burning, pre-soak the wood chips in a separate bowl of water for at least 20 minutes.
- To add wood chips before cooking, fill the smoker box with your choice of flavored chips (remove wood chips from water first). The amount and type of wood you use is entirely up to you. Once the box is filled with the desired amount, close the lid and place the cooking grids in the proper position on the grill.
- Tips: Small wood chips work best inside the wood chip box.
- Allow grill to heat up before placing your food on the grill. This will allow time for the wood chips to begin to smoke.
- Do not use resinous woods such as pine or plywood. These will produce an unpleasant flavor.
- Do not try to add more wood chips while cooking. It is recommended that you allow grill to cool before replacing wood chips or handling the cooking grates which may still be hot.

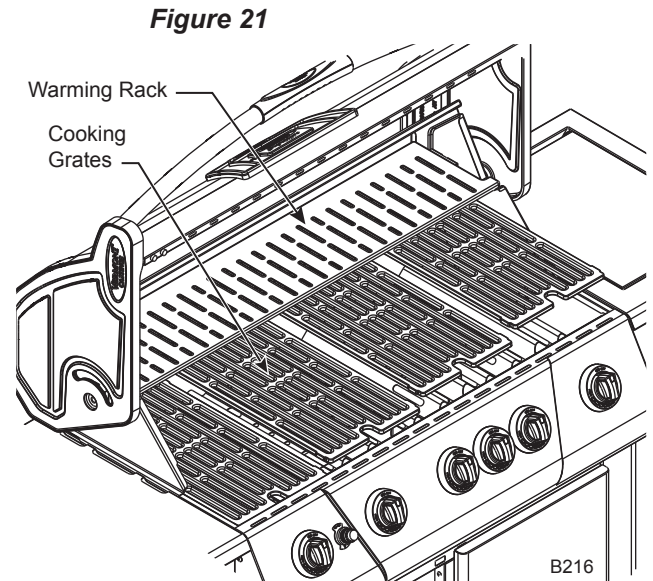
CAUTION: Some parts may have sharp edges; to avoid injury, wearing gloves during assembly, lifting or moving the grill is recommended.

Step 15: Install the Internal Components (continued)

Set the cooking grates, side by side, on the upper ledge of the grill tub. (Fig. 21) Make sure the finger groove is facing toward the front of the grill.

Set the warming rack into the supports located on either side of the rear lid.

CAUTION: Do not attempt to turn the cooking grates over while the grill is in use and the grates are hot. Doing so could result in severe burns and other injuries.



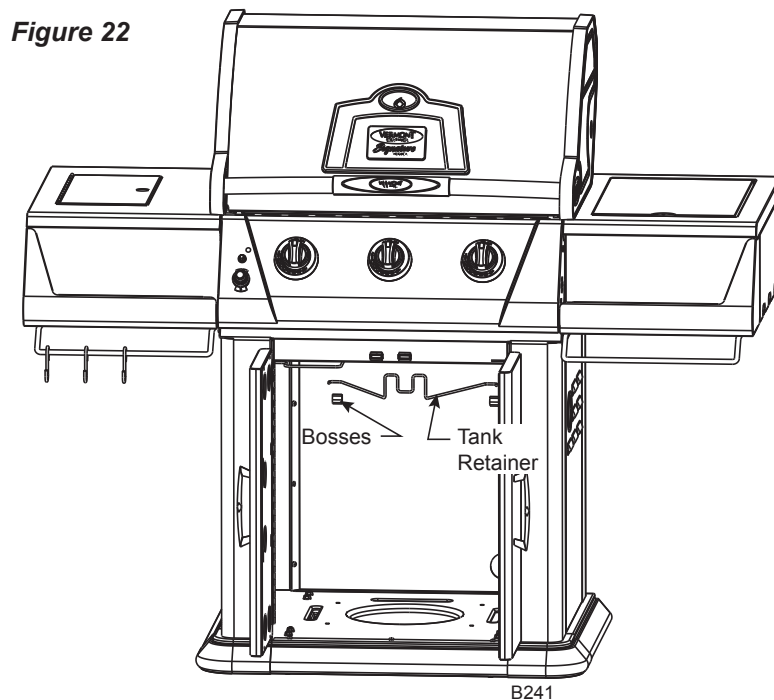
Step 16: Attach Tank Retainer (VCS3008 Series ONLY)

Parts Required:

(1) Tank Retainer (LP Models)

Figure 22

Attach the tank retainer to the back panel by pressing it down into the bosses as shown.



CAUTION: Some parts may have sharp edges; to avoid injury, wearing gloves during assembly, lifting or moving the grill is recommended.

Step 17: Install LP Tank Pull Out Assembly

For VCS4008 & VCS5008 Series Models only.

Follow Tank Pull Out Assembly instructions to assemble.

NOTE: For VCS5008 Series, replace pull out drawers now.

Step 18: Install the LP Cylinder (LP Models ONLY)

Parts Required:

(1) LP Gas Cylinder (not included)

Figures 23 & 24

NOTE: Check your User's Manual for the cylinder filling requirements, how to attach the regulator and how to test for leaks before you try lighting the grill.

CAUTION: Make sure the hose is not touching any hot or sharp surfaces.

For VCS3008 Series, place the LP Cylinder into the hole in the bottom panel. Next secure it from moving by lifting the cylinder retainer wire and latching the bent edge over the lip of the cylinder.

For VCS4008/5008 Series, place the LP cylinder into the hole in the tank pull out. Secure the cylinder from moving by tightening the thumb screws provided with the tank pull out assembly.

The final step is to connect the regulator to the cylinder.

CAUTION: Do not turn on/ignite the grill until after performing a leak check at all gas connection points and fittings. With the main LP cylinder valve OPEN, and ALL CONTROL KNOBS FULLY OFF, use a spray solution of 50% liquid soap and 50% water onto all gas connection points and fittings. The formation of bubbles indicates an air leak that must be repaired and verified with this leak test before the grill is ignited.

NOTE: Ensure all plastic coatings have been removed from all stainless steel parts before using the grill.

Figure 23

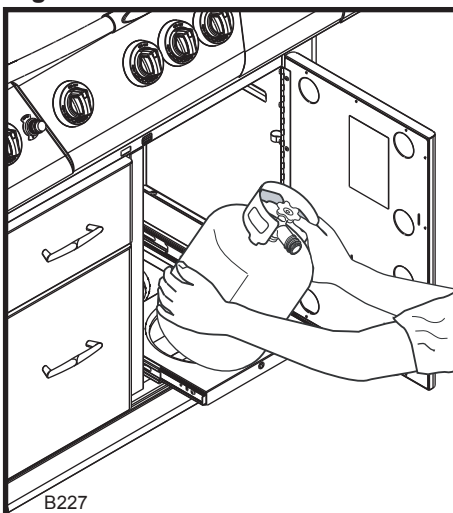
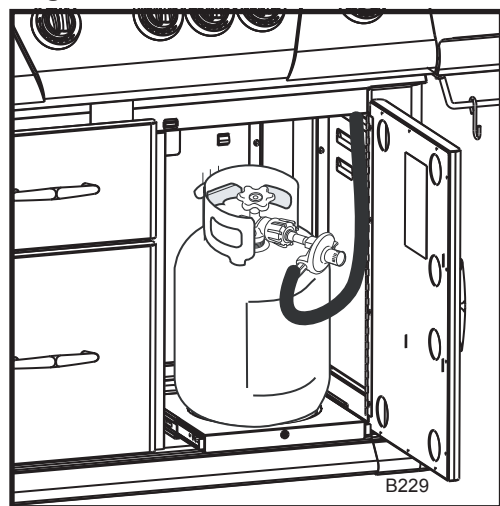


Figure 24



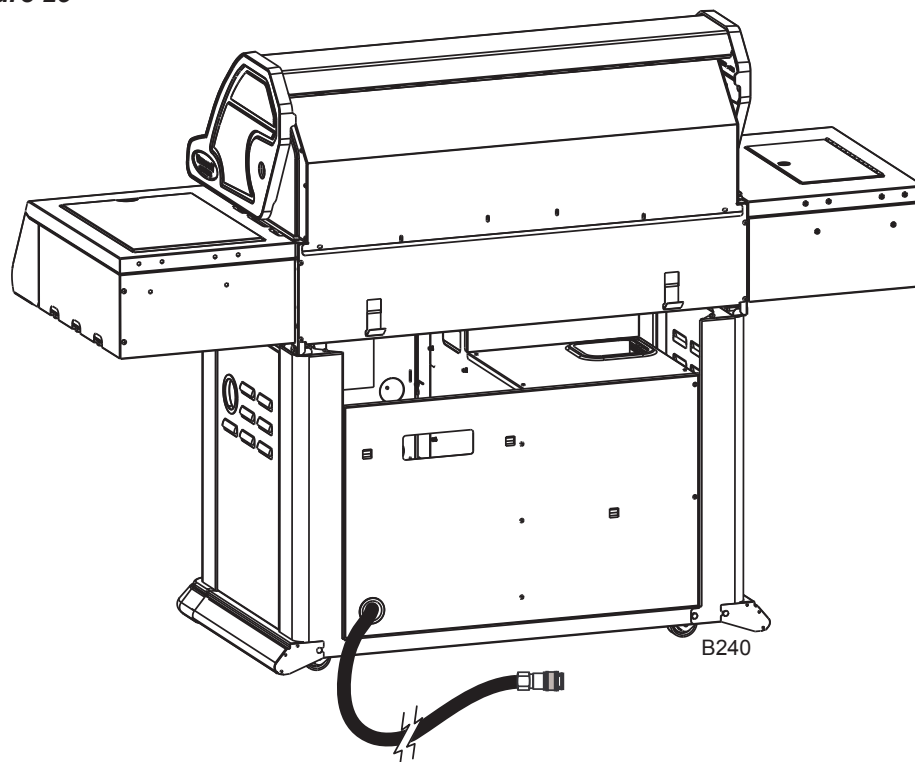
CAUTION: Some parts may have sharp edges; to avoid injury, wearing gloves during assembly, lifting or moving the grill is recommended.

Step 19: Install the Natural Gas Hose (Natural Gas (NG) Models ONLY)

Figure 25

Run natural gas hose through bushing provided in back panel of grill.

Figure 25



CAUTION: Some parts may have sharp edges; to avoid injury, wearing gloves during assembly, lifting or moving the grill is recommended.

Step 20: Install Shelf Light (VCS4008, VCS5008 Series Only)

Parts Required:

- (1) Cook Light
- (3) #10-24 x 1/2" Screws (50000337)

Figures 26 , 27 & 28

Attach the cook light to the side shelf using three (3) screws provided. (Fig. 26)

Battery Installation (3 "AA" alkaline batteries required, not included.)

Open the battery cap by turning the cap counterclockwise as shown in Figure 27. Insert the batteries into the battery compartment according to the layout in Figure 3. Replace battery cap.

Operating Instructions

To turn the light ON and OFF, press the ON/OFF button located on the back of the cook light. (Fig. 27)

To adjust the cook light, simply move the flexible arm as desired to achieve the best lighting for your task.

After use, allow the light and grill to cool completely. Place the light face down on the shelf after use and for storage. (Fig. 28) Replace the grill cover. If a grill cover is not used, the light should be removed when not in use as rain, snow, etc. could damage the light.

WARNING: The light may get hot when in close proximity to the grill surface. Do not touch the light lens when in operation. Allow it to cool.

WARNING: Keep the light away from flammable materials.

CAUTION: Do not move the cook light directly over the cooking area when the grill is on, as this may damage the cook light.

NOTE: The light will not work until the batteries are installed.

NOTE: For optimum battery life and to avoid damage to the light, we recommend you retract and turn off the light when not in use.

WARNING: Replacing the battery incorrectly might result in an explosion. Replace the battery only with the same or equivalent type recommended by the manufacturer. Dispose of used batteries according to your local environmental guidelines.

Figure 26

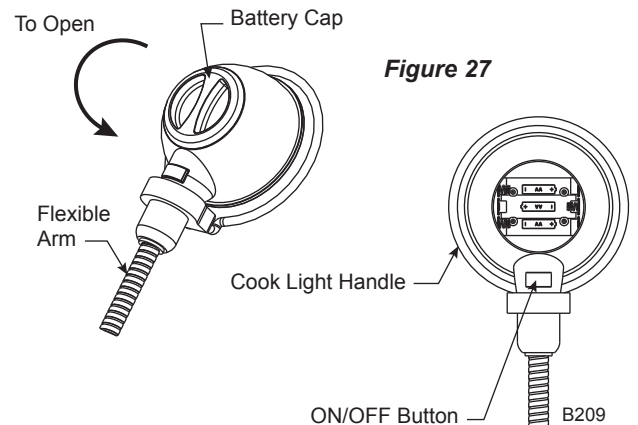
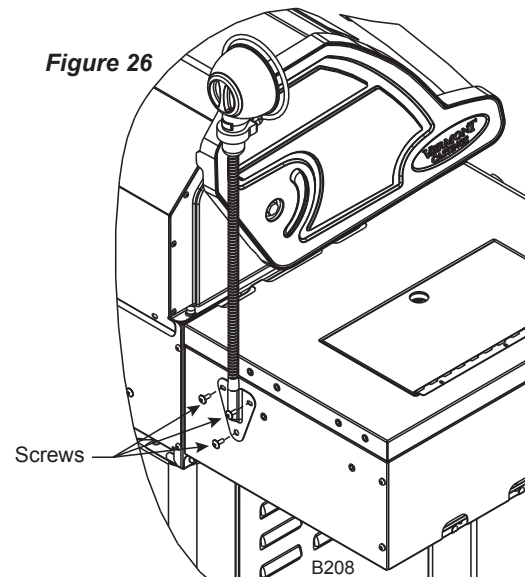
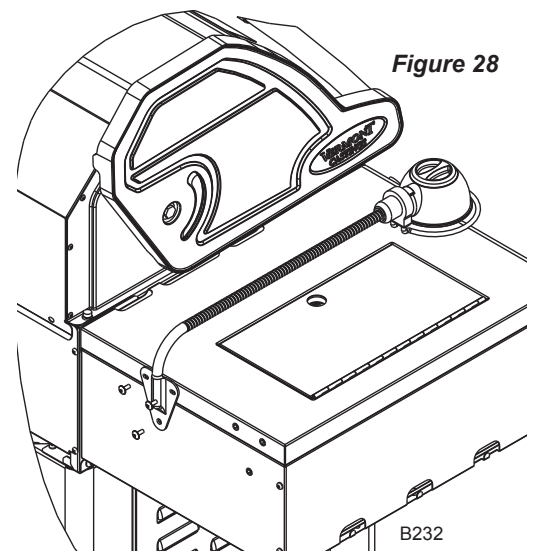


Figure 27

Figure 28



CAUTION: Some parts may have sharp edges; to avoid injury, wearing gloves during assembly, lifting or moving the grill is recommended.



2695 Meadowvale Blvd. • Mississauga, Ontario, Canada L5N 8A3
800-668-5323 • www.cfmcorp.com