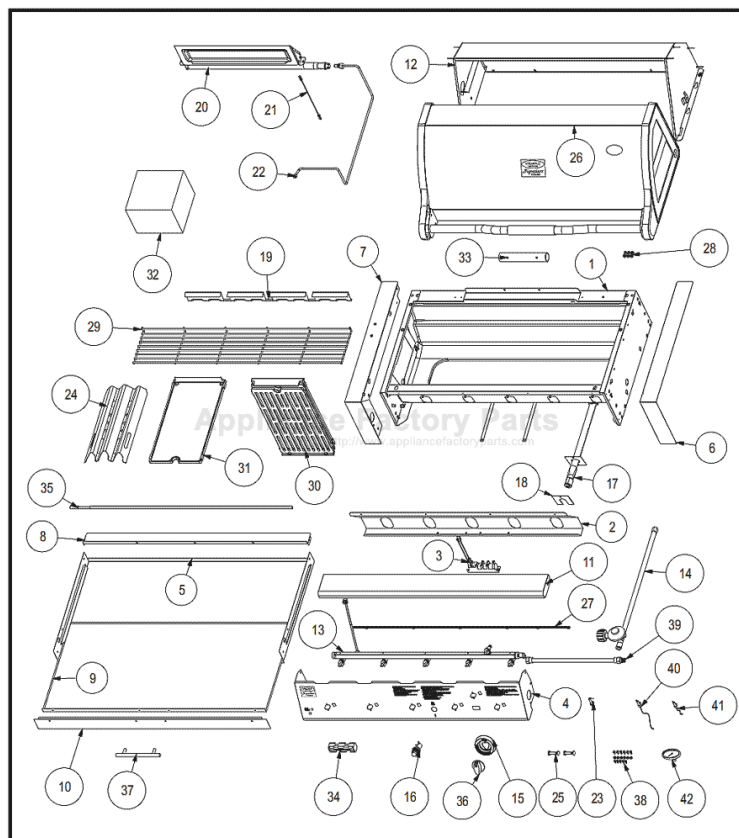


This Owner's Manual is provided and hosted by Appliance Factory Parts.



Vermont Castings VCS5007B1 Owner's Manual

[Shop genuine replacement parts for Vermont Castings
VCS5007B1](#)



[Find Your Vermont Castings Grill Parts - Select From 273 Models](#)

----- Manual continues below -----



GET A TASTE FOR THE BEST





Our double-walled lid panels and CAST IRON HOOD END CAPS help retain the heat for more efficient cooking and superior flavor retention.



Stainless Steel SIGNATURE SEAR PLATES are bigger, and optimally designed for heat distribution across the entire cooking surface.

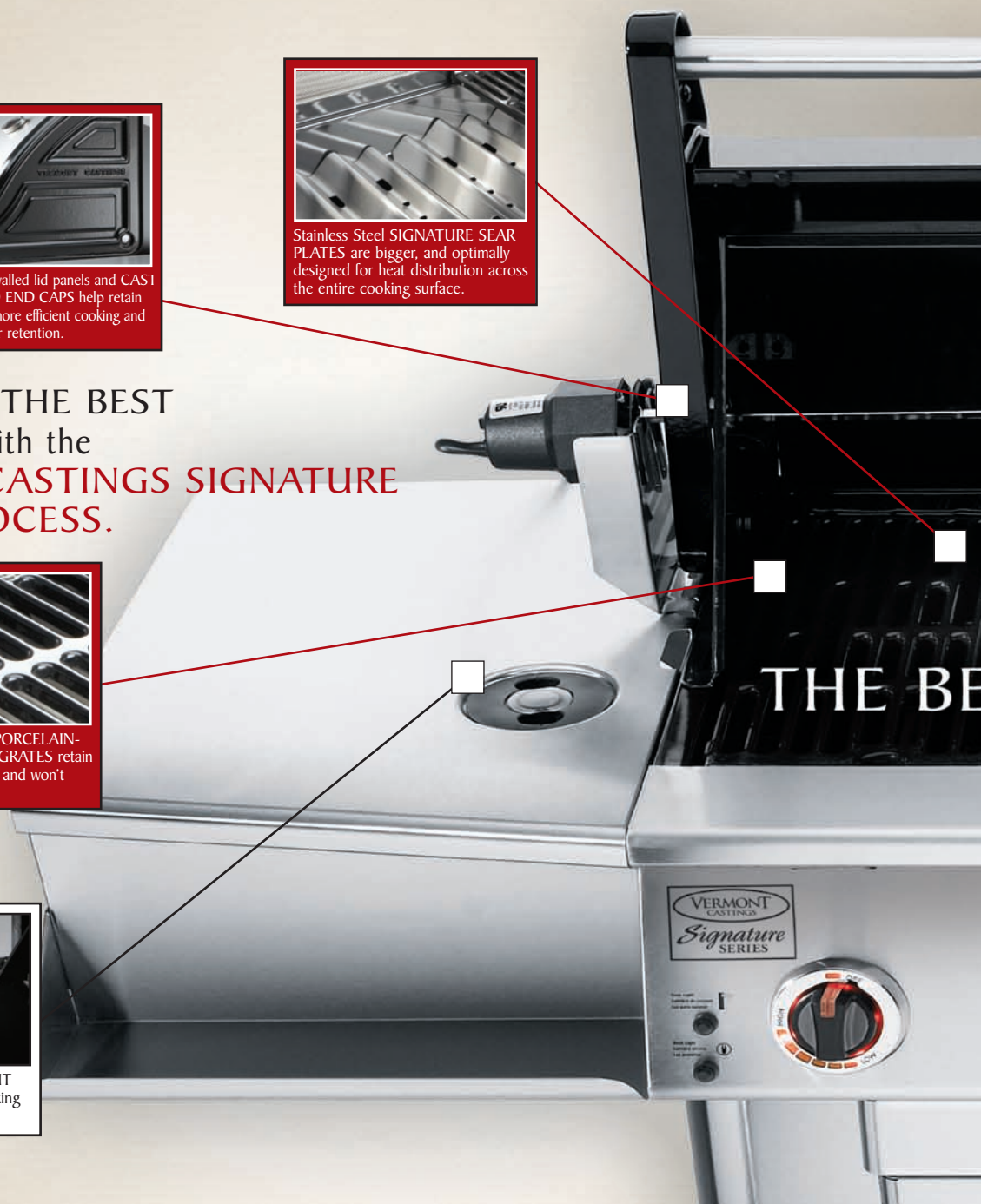
BRING OUT THE BEST
IN FOODS with the
**VERMONT CASTINGS SIGNATURE
FLAVOR PROCESS.**



HEAVY CAST IRON PORCELAIN-COATED COOKING GRATES retain heat for even cooking, and won't allow foods to stick.



Unique POP-UP LIGHT@NIGHT helps you see what you're cooking in low or no-light situations.



THE BE



FOR SUPERIOR TASTE, VERMONT CASTINGS CAST IRON MAKES ALL THE DIFFERENCE.

From the special porcelain-coated heavy cast iron grates for even heat distribution and extraordinarily easy clean up, to the cast iron hood-ends that retain heat for moist, perfect cooking every time, your Vermont Castings Signature Series Gas Grill is

an efficient miracle of outdoor cooking. The Signature Flavor Process makes your grill heat inside our extra-deep fire box, our u

SIGNATURE SERIES | 5-BURNER GRILLS



Model: VCS5007 5-Burner
62,500 BTU Stainless Steel Grill



Signature Series | 5-Burner Grills

A beautiful, polished stainless steel lid
5 burner grill as one of the most distinguish
Delivering superior flavor, outstanding heat
and remarkable efficiency, no other grill
our cooking system. 600 square inches
cooking area and 230 square inches of
cooking space can accommodate a full th
meal and more. Double condiment trays,
BTU Infra-Red Rotisserie Cooking System, "S
back-lit dials and more, it's all here and rea
Add our heavy duty Signature Series Grill
"Sizzling Barbeque" Cook Book, and you'll
the best in any meal.

Available with a Stainless Steel Lid, or Limited
Porcelain Enameled lids in: Mica Black, Mica
Deep Bronze.



Our ROTISSERIE KIT AND BURNER
allows for slow and even cooking for
roasts and whole chickens, every time.



Convenient WARMING RACK
keeps breads and buns
warm and toasty!

SIGNATURE SERIES | 3-BURNER GRILLS



Model: VCS3507 3-Burner
37,500 BTU Stainless Steel Grill



When you fit the amazing Signature Flavor Cooking System into a 3-burner grill, you know the best value in grilling around. 400 square inches of primary cooking area and 150 square inches of secondary space, NeverFail Electronic Ignition, Porcelain Enamel Hood End Caps, Cast Iron cooking surface and stylish stainless steel finish. Available with Signature Cast Iron Hood End Caps, meat thermometer, quality, dependability, and outstanding grilling performance. It's a grill that fits modest areas.

Comes with flush mounted side shelves, an optional side burner, a 15,000 BTU side burner, enclosed Stainless Steel side burner, Signature Design, commercial grade castors and much more. Available with a Stainless Steel lid, or with a Limited Lifetime Porcelain Enamelled Mica Black lid.



Our double-walled lid panels and CAST IRON HOOD END CAPS help retain the heat for more efficient cooking and superior flavor retention.



TOP WARMING RACK helps keep food warm and ready to eat.

Signature Series | 3-Burner Grills

SIGNATURE SERIES | 5-BURNER BUILT-IN GRILLS



The perfect way to complement your outdoor kitchen is with a Vermont Castings Built-in gas grill. Each can be installed into a complete island, with options that include built-in island and front door assembly.

600 square inches of primary cooking area and 230 square inches of secondary cooking space on this 5 burner model. It also includes a 20,000 BTU Infra-Red Rotisserie Cooking System, optional NeverFail Electronic Ignition, Porcelain-Coated Cast Iron cooking surface and stainless steel lid with Signature Cast Iron Hood End Caps.

Model: VCS5007BI 5-Burner
62,500 BTU Stainless Steel Grill
(island not included)



"SOFTTOUCH" BACK-LIT DIALS make cooking at night easier than ever with a bright orange glow to tell you what temperature has been set.



Our CROSS FLOW burner system allows you to cook evenly then each burner fires.

SIGNATURE SERIES | SMOKER



Just imagine what you can create with 103.5 inches of cooking area and four adjustable cooking grids. With 17,500 BTU's and fully adjustable dampers at your command, you'll be smoking in no time. Our double-walled door design provides excellent heat retention, and the cast iron front door features a full-range heat indicator. You'll also find a cast-iron wood chip box on its convenient sliding shelf for easy chip removal. The cast brass control knob with adjustable control and quick-starting electronic ignition make it easy to use. And the cool-grip front-door handle and wide-stance legs make it sturdy and practical for every area.

Model: VC3624GS
17,500 BTU Stainless Steel Smoker



CAST IRON wood chip box has a convenient sliding shelf for easy chip removal.



FULLY-ADJUSTABLE DAMPERS allow for precise smoking.



ELECTRONIC IGNITION starts quickly every time, whenever you're ready.



	5-BURNER	4-BURNER	3-BURNER	5-
Stainless Steel Main Burners	5	4	3	
Main Burners BTU's	62,500	50,000	37,500	
Primary Cooking Area (sq. in.)	600	450	400	
Porcelain Coated Wire Warming Rack (sq. in.)	230	170	150	
Total Cooking Area	830	620	550	
Porcelain Coated Cast Iron Cooking Grates	•	•	•	
Signature Sear Plates (Stainless Steel)	•	•	•	
NeverFail Electronic Ignition System	•	•	•	
Stainless Steel Hood Construction	•	•	•	
Limited Edition Porcelain Enameled Grill Lids				
Mica Black Porcelain Enamel	• (VCS5017)	• (VCS4017)	• (VCS3517)	
Mica Green Porcelain Enamel	• (VCS5027)	• (VCS4027)		
Deep Bronze Porcelain Enamel	• (VCS5037)	• (VCS4037)		
Black Iron End Caps	•	•	•	
Porcelain Coated Black Base Oven with 4" wide Stainless Steel Lip	•	•	•	
Enclosed Cart Design - Powder Coated Side Panels			•	
Cart - Complete Curved Profile Stainless Steel Front, Sides & Curved Profile Doors (black back)	Double Doors	Single Door		(op
Bent, Stainless Steel Lid Handle with Center Grip	•	•	•	
Heavy Duty Commercial Casters	•	•	•	
Infrared Rear Rotisserie Burner BTU's	20,000	15,000		
Rotisserie Kit	•	•	(optional)	
Stainless Steel Control Panel	•	•	•	
"SoftTouch" Back-lit Dials on Console	•	•		
Light@Night Cooking Light	•	•		
Integrated Tool Holders built into Side Shelves	•	•	•	
Stainless Steel Condiment Trays	•	•		
Stainless Steel Shelving	•	•	•	
Warming Drawer	•			
Grease Management- Rear Pull Out	•	•	•	
Grease Management- Tray				
15,000 BTU Side Burner with Stainless Steel Cover	•	•	(optional)	
Towel Bar		•		
Tank Pull Out Tray	•			
Propane or Natural Gas	•	•	•	
Barbeque Cover	•	•		

Note: For exact information on dimensions on all 2007 grills, please refer to www.myownbbq.com or www.vermontcastings.com



ph: 1.800.525.1898

www.vermontcastings.com
www.myownbbq.com

Your Dealer

© 2006 CFM Corporation - All rights reserved. Vermont Castings™ is a registered trademark of CFM Corporation. In the interest of constant product improvements, we reserve the right to change specifications without notice. Before installation, please read installation instructions and check all local building codes and gas regulators.