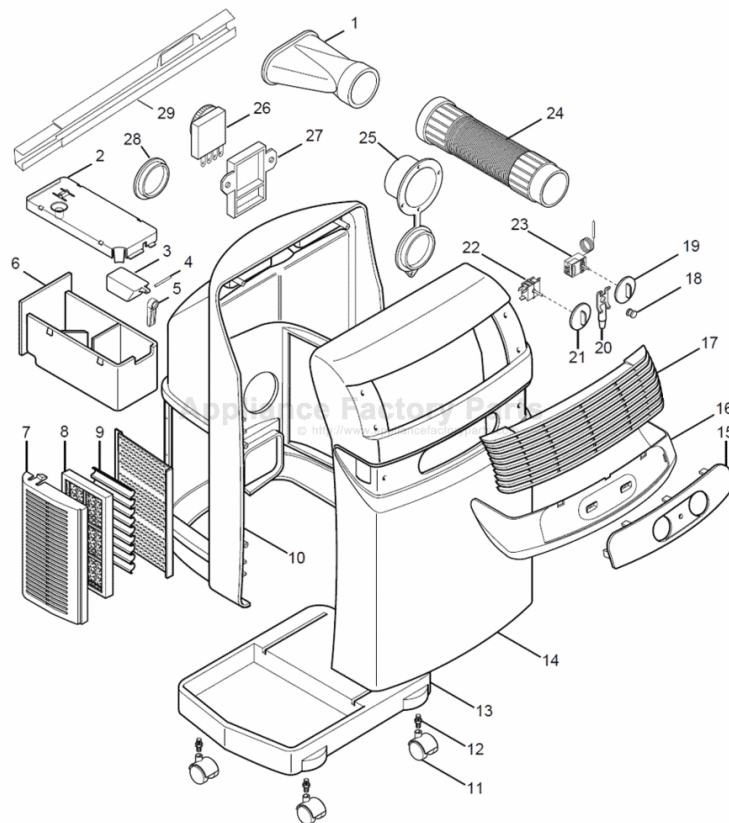


This Owner's Manual is provided and hosted by [Appliance Factory Parts](#).



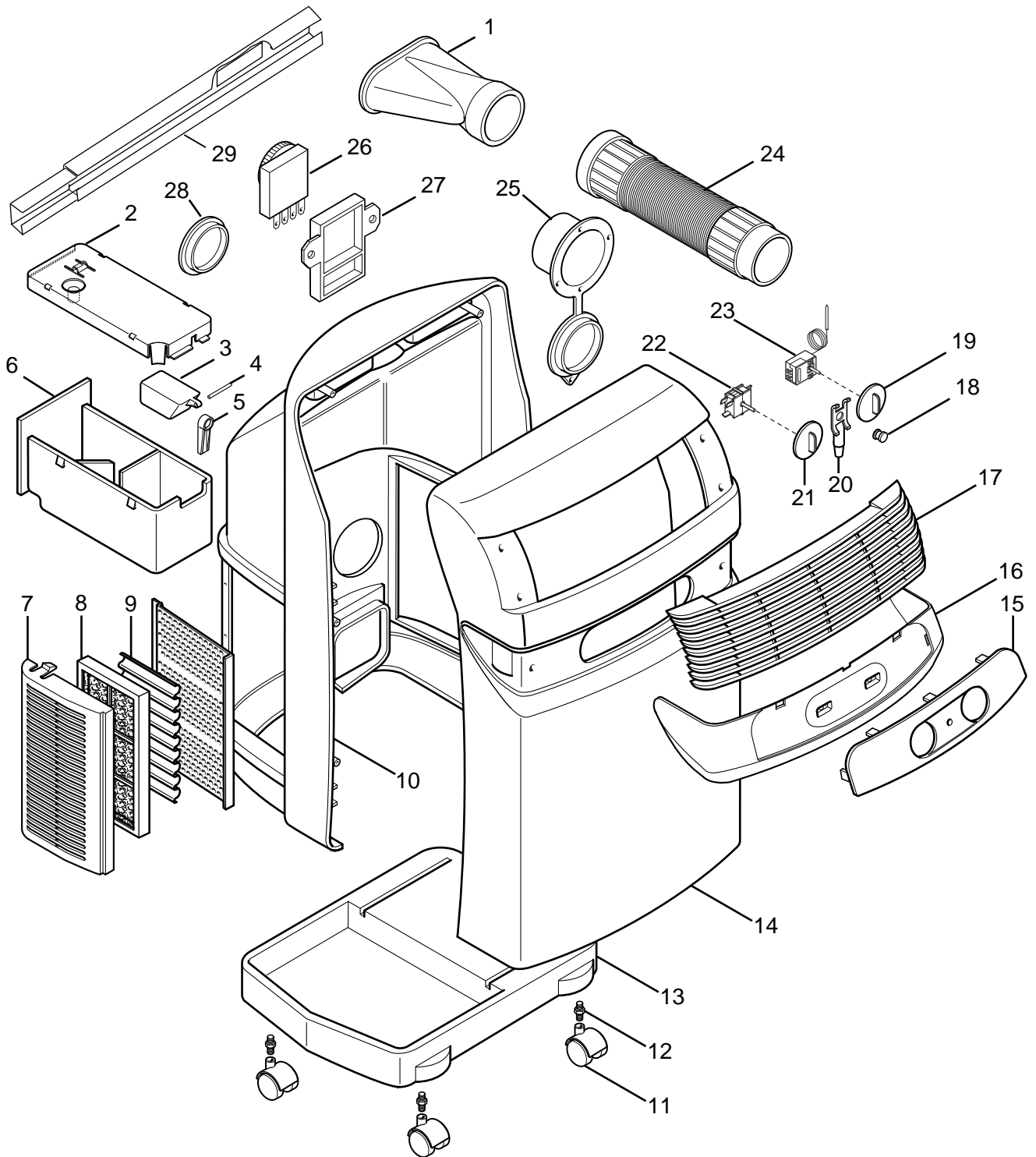
# DE'LONGHI PAC03U Owner's Manual

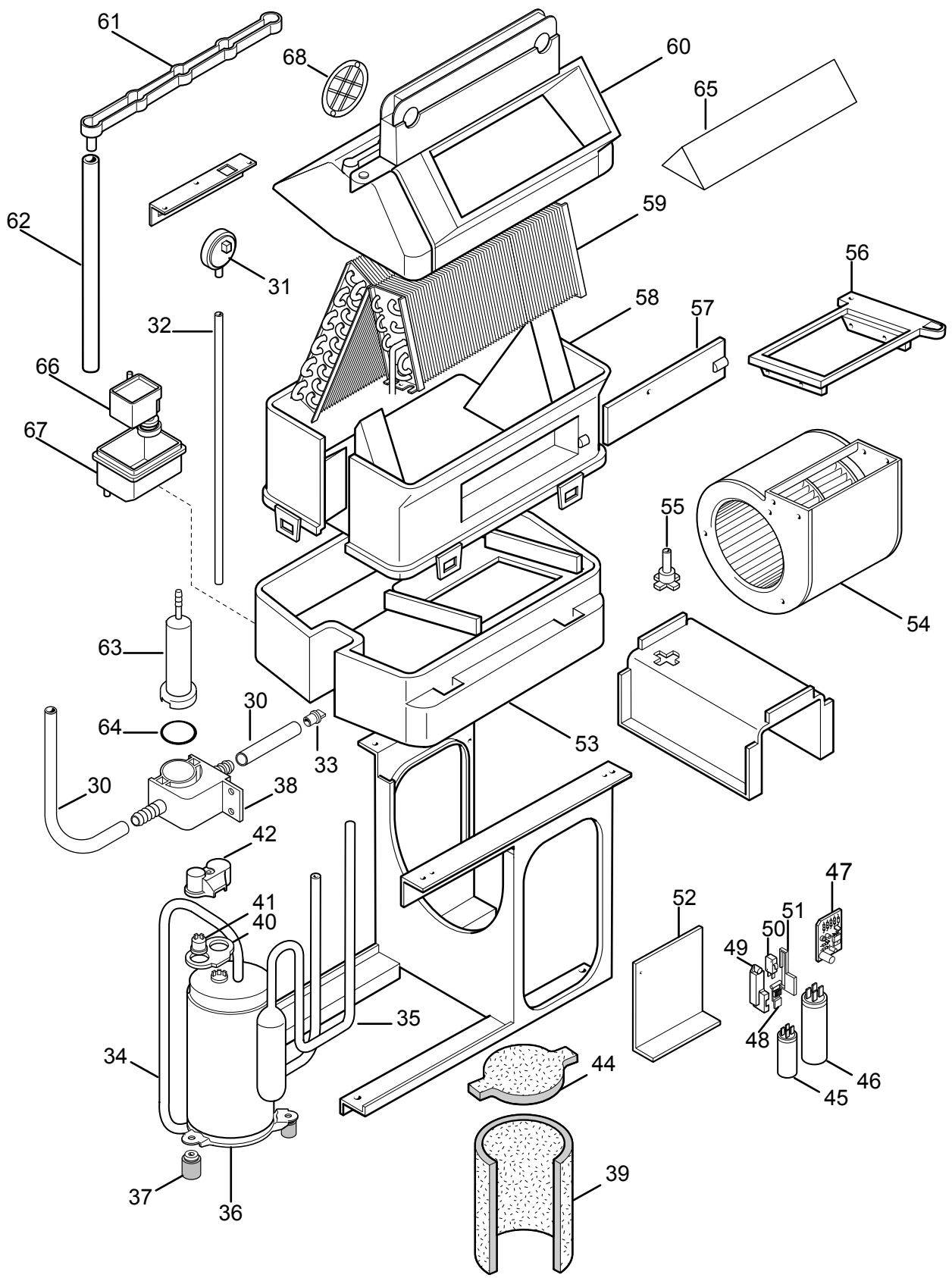
[Shop genuine replacement parts for DE'LONGHI  
PAC03U](#)



[Find Your DE'LONGHI Air Conditioner Parts - Select From 155 Models](#)

----- Manual continues below -----





Pos	Codice	Italiano	English	Francais	Deutsch	Espanol
01	537274	RIDUZIONE	REDUCTION	REDUCTION	VERMINDERUNG	REDUCCION
02	537143	COPERCHIETTO	COVER	COUVERCLE	DECKEL	TAPADERA
03	5351000300	GALLEGGIANTE	FLOAT	FLOTTEUR	SCHWIMMER	FLOTADOR
04	611759	PERNO	PIN	PIVOT	STIFT	PERNO
05	VT213801	AVVOLGICAVO	CABLE WINDER	ENROULEUR	KABELAUFWICKLUNG	De Cable Recogecables
06	5351011100	VASCHETTA	TRAY	CUVETTE	BEHALTER	CUBETA
07	5351009400	PORTAFILTRO	FILTER HOLDER	PORTE FILTRE	FILTERHALTER	PORTAFILTRO
08	537252	FILTRO	FILTER	FILTRE	FILTER	FILTRO
09	537457	FILTRO	FILTER	FILTRE	FILTER	FILTRO
10	5351007600	SCHIENALE	REAR PANEL	PANNEAU ARRIERE	RUECKWAND	RESPALDO
11	551834	RUOTA	CASTOR	ROULETTE	RAD	RUEDA
12	602214	PERNO	PIN	PIVOT	STIFT	PERNO
13	5551003900	BASAMENTO	BASE	SOCLE	UNTERGESTELL	BASE
14	5351007300	FACCIATA	FRONT PANEL	PANNEAU FRONTAL	VORDERWAND	FACHAD
15	5951004000	MASCHERINA	TEMPLATE	PLAQUE	BLENDE	PLANTILLA
16	5351006800	CRUSCOTTO	CONTROL PANEL	Tableau deCommande	BEDIENUNGSBLENDE	Marco Panel Mandos
17	5351007200	GRIGLIA	GRID	GRILLE	GITTER	PARRILLA
18	512475	GEMMA ROSSA	RED LENS	LENTILLE ROUGE	LINSE ROT	PILOTO ROJO
19	5951004200	MANOPOLA	KNOB	BOUTON	KNOPF	MANDO
20	5151001100	LAMPADA	LAMP	LAMPE	LAMPE	LAMPARA
21	5951004100	MANOPOLA	KNOB	BOUTON	KNOPF	MANDO
22	5151002400	COMMUTATORE	Change Over Switch	COMMUTEUR	UMSCHALTER	CONMUTADOR
23	521558	TERMOSTATO	THERMOSTAT	THERMOSTAT	THERMOSTAT	TERMOSTATO
24	5551001000	TUBO SCARICO	DRAIN HOSE	Tuyau Evacuation	ABLAUFSCHLAUCH	TUBO DE DESAGÜE
25	537270	FLANGIA + TAPPO	FLANGE + STOPPER	BRIDE + BOUCHON	FLANSCH + STOEPSSEL	EMBOCADURA CON TAPON
26	521343	TIMER	TIMER	PROGRAMMATEUR	ZEITSCHALTUHR	TIMER
27	5351003500	SUPPORTO	SUPPORT	SUPPORT	HALTER	SOPORTE
28	5350002000	CORNICE	FRAME	ENCADREMENT	RAHMEN	MARCO
29	5551000900	TRAVERSA	CROSSPIECE	TRAVERSE	QUERTRAEGER	TRAVESA—O
30	531953	TUBO	TUBE	TUBE	ROHR	TUBO
31	5251002500	PRESSOSTATO	PRESSURE Switch	PRESSOSTAT	DRUCKWAECHTER	PRESOSTATO
32	533165	TUBETTO	TUBE	TUBE	ROHR	TUBITO
33	534949	TAPPO	STOPPER	BOUCHON	STOEPSSEL	TAPON
34	5551001400	TUBO MANDATA	DISCHARGE PIPE	TUYAU REFOULEMENT	AUSLASSROHR	TUBO DE IMPULSION
35	5551001500	TUBO RITORNO	RUNBACK TUBE	TUYAU D'ASPIRATION	SAUGROHR	TUBO DE SUCCION
36	511968	COMPR.MATSUSHITA R22	COMPR.MATSUSHITA R22	COMPR.MATSUSHITA R22	VERDICH.MATSUSHITA R22	COMPR.MATSUSHITA R22
37	533765	GOMMINO	RUBBER PAD	PARE CHOCS	PUFFER	GUARNICION
38	5351003400	RACCORDO	CONNECTION	RACCORD	ANSCHLUSS	JUNTURA
39	5372001100	ISOLANTE	INSULATOR	ISOLANT	ISOLIERSTOFF	AISLANTE
40	533764	GUARNIZ.MATSUSHITA	GASKET MATSUSHITA	JOINT MATSUSHITA	DICHTUNG MATSUSHITA	GUARNI.MATSUSHITA
41	521241	PROTETTORE	PROTECTOR	PROTECTEUR	UEBERTEMP.SCHUTZ	PROTECTOR
42	533762	COPERCHIO	COVER	COUVERCLE	DECKEL	TAPA
44	536248	Isolante Matsushita	Insulator Matsushita	Isolant Matsushita	Isolierstoff Matsushita	Aislante Matsushita
45	511796	CONDENSAT. 8uF	CAPACITOR 8uF	CONDENSATEUR 8uF	KONDENSATOR 8uF	CONDENSAD. 8uF
46	512652	CONDENSAT. 25uF	CAPACITOR 25uF	Condensateur 25uF	KONDENSATOR 25uF	CONDENSAD.25uF
47	5251001900	SCHEDA	BOARD	FICHE	PLATINE	FICHA
48	5348012600	LEVA	LEVER	LEVIER	HEBEL	PALANCA
49	535629	GUSCIO	PROTECTION	ENVELOPPE	GEHAEUSE	VAINA
50	511801	MICROINTERRUPTORE	MICROSWITCH	MICRORUPTEUR	MIKROSCHALTER	MICROINTERRUPTOR
51	535630	GUSCIO	PROTECTION	ENVELOPPE	GEHAEUSE	VAINA
52	5351009300	STAFFA	BRACKET	ETRIER	BUEGEL	ABRAZADERA
53	5351006900	BACINELLA	TRAY	BAC	SCHALE	CUBETA
54	5151001200	VENTILATORE	VENTILATOR	VENTILATEUR	VENTILATOR	VENTILADOR
55	534689	BECCUCCIO	SPOUT	BEC	AUSGUSS	PITON
56	537144	SUPPORTO	SUPPORT	SUPPORT	HALTER	SOPORTE
57	537255	SUPPORTO	SUPPORT	SUPPORT	HALTER	SOPORTE
58	5351007000	CONVOGLIATORE	DUCT	CONVOYEUR	ABDECKUNG	TRANSPORTADOR
59	5551001100	BATTERIA	BATTERY	CARCASSE	HEIZKOERPER	BATERIA
60	5351011800	CONVOGLIATORE	DUCT	CONVOYEUR	ABDECKUNG	TRANSPORTADOR
61	5351011200	SPRUZZATORE	SPRAYER	GICLEUR	EINSPRITZDUESE	PULVERIZADOR
62	5351009800	TUBO	TUBE	TUBE	ROHR	TUBO
63	5351003300	BECCUCCIO	SPOUT	BEC	AUSGUSS	PITON
64	534699	GUARNIZIONE	GASKET	JOINT	DICHTUNG	GUARNICION
65	7051000000	DEFLETTORE	BAFFLE	DEFLECTEUR	DEFLEKTOR	DEFLECTOR
66	5151000600	POMPA	PUMP	POMPE	PUMPE	BOMBA
67	5351010100	BACINELLA	TRAY	BAC	SCHALE	CUBETA
68	5351011900	GRIGLIA POSTERIORE	REAR GRID	GRILLE POST.	GITTER HINTEN	PARRILLA POST.