

This Owner's Manual is provided and hosted by [Appliance Factory Parts](#).



DE'LONGHI EOM1230 Owner's Manual

[Shop genuine replacement parts for DE'LONGHI
EOM1230](#)



[Find Your DE'LONGHI Oven Parts - Select From 110 Models](#)

----- Manual continues below -----

**GB****DIRECTIONS FOR USE
TOASTER-OVEN-BROILER**

De'Longhi products are the finest and most versatile products available. Please read this booklet carefully to ensure that you obtain the fullest benefit from your appliance.

F**MODE D'EMPLOI GRILLE-
PAIN - FOUR - GRIL**

Les produits De' Longhi sont les meilleurs et les plus polyvalents électroménagers disponibles dans le commerce. Nous vous prions de bien vouloir lire attentivement ce mode d'emploi afin de tirer les meilleurs avantages de votre nouvel appareil.

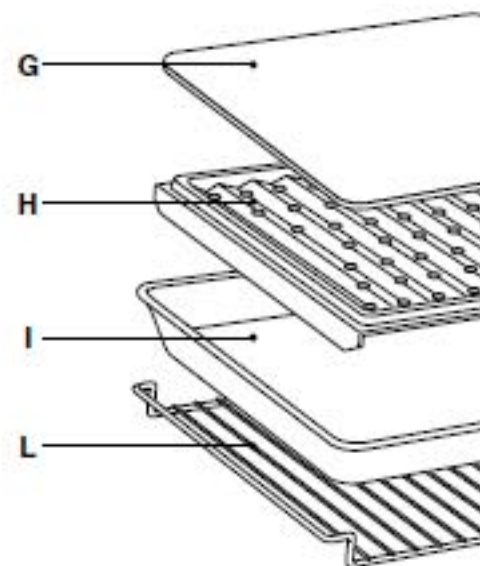
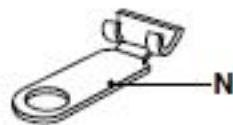
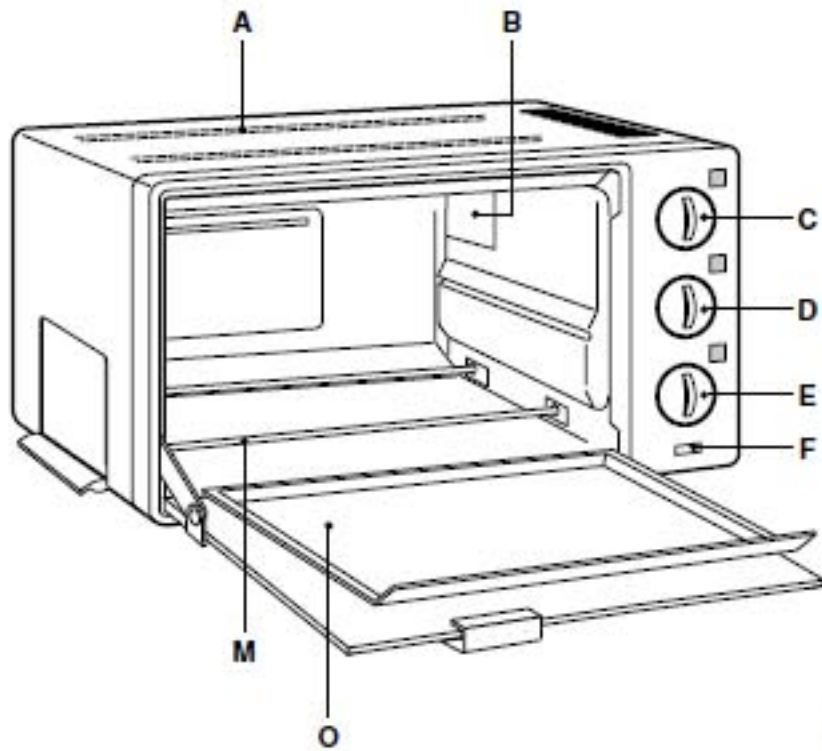
E**INSTRUCCIONES PARA EL
USO TOSTADOR - HORNO
GRILL**

Los productos De' Longhi son los mejores y los más versátiles del comercio. Les rogamos que lean atentamente este manual para poder utilizar lo mejor posible este electrodoméstico.

I**ISTRUZIONI D'USO TOSTA
PANE-FORNO-GRIGLIA**

I prodotti De'Longhi sono i migliori ed i più versatili prodotti sul mercato. Leggere attentamente questo libretto per ottenere il massimo da questo apparecchio.





DESCRIPTION

A. Upper element

B. Oven light (*)

C. Thermostat dial

H. Broiling rack

I. Bake pan

L. Wire rack



IMPORTANT SAFEGUARDS

When using electrical appliances, basic safety precautions should always be followed, including the following:

1. **READ ALL INSTRUCTIONS.**
2. Do not touch hot surfaces. Use handles or dials.
3. Before using this appliance, move it two to four inches away from the wall or any object on the counter. **Do not place any object that may have been placed on top of the appliance.** Do not use on surfaces where there is a fire problem.
4. To protect against electrical shock, do not place unit in or under water. See instructions for cleaning.
5. Close supervision is necessary when any appliance is used by or near children.
6. Unplug from outlet when not in use and before cleaning. Always turn the ON/OFF dial to "OFF" and the temperature dial to "●" before unplugging.
7. Do not operate any appliance with a damaged cord or plug or after the appliance malfunctions, or in any manner. Return appliance to the nearest authorized service facility for examination, repair or replacement.
8. The use of accessory attachments not recommended by the appliance manufacturer may cause injury or property damage.
9. Do not use outdoors.
10. Do not let cord hang over edge of table or counter, or touch hot surfaces.
11. Do not place on or near a hot gas or electric burner.
12. Extreme caution must be used when moving an appliance containing hot oil or other hot liquids.
13. If the plug gets hot, please call a qualified electrician.
14. Do not use this appliance for other than intended use.
15. Use extreme caution when removing the oven pan or disposing of hot grease.
16. Do not clean with metal scouring pads. Pieces can break off the pad and touch electrical parts causing electric shock.
17. To assure safe operation, oversized foods or utensils must not be inserted into the oven.
18. A fire may occur if this appliance is covered or touching flammable material, including curtains, or if the appliance is used when in operation.
19. **CAUTION:** Never leave the toaster-oven-broiler unattended when in use (especially when broiling).
20. When broiling, the oven-pan, the broiling rack and wire rack must be used according to the instructions.
21. Extreme caution should be exercised when using containers other than oven proof metal glass or ceramic.
22. Do not store any materials, other than the manufacturer's recommended accessories, in the oven when not in use.
23. Do not place any of the following materials in the oven: paper, cardboard, plastic and the like.
24. Do not cover any part of the oven with metal foil. This will cause overheating of the oven.
25. To switch off the toaster-oven broiler, turn the ON/OFF dial to "OFF" and the temperature dial to "●".

THIS PRODUCT IS FOR HOUSEHOLD USE ONLY
SAVE THESE INSTRUCTIONS



SUMMARY OF OPERATION

Program	Position ON/OFF and toast programming dial	Position of the most at dial	Position of function selector dial	Position of wire rack/accessories	Notes
Keep warm	ON	KEEP WARM	BAKE/TOAST		Turn to this warm. Do not use for more than an hour or for hot enough temperature.
Bake	ON	Up to maximum temp. indicated	BAKE/TOAST		Ideal for casseroles, baked vegetables, moist food, browning and crisping.
Broil	ON	BROIL	Broil	 Lower position Upper position	Always use the bake pan. The oven pan shown in the diagram. Use the UPPER position for faster browning required. Place side well turn the pan. Allow and the upper. Ideal for foie gras, steaks, kebabs. Use the LOWER position for that require a rack as chicken. For the lower rack so that side walls up.
Top browning	ON	BROIL	Broil		Use the broil rack for face sandwich, d'oeuvres. Watch keep an eye on operating time thus avoided.
Toast	Range of light to dark	TOAST	BAKE/TOAST		Set the ON dial to the desired. Settings etc.. will take. Reset dial. Place the following in
Sandwich	Range of light to dark	TOAST	BAKE/TOAST		Set the ON dial to the desired. Settings etc.. will take. Reset dial. Place the following in





- Your product is equipped with a polarized alternating current line plug (a plug having one flat blade longer than the other). This plug will fit into the power outlet only one way. This is a safety feature. If you are unable to insert the plug fully into the outlet, try reversing the plug. If the plug should still not fit, contact your electrician to replace your obsolete outlet. Do not defeat the safety purpose of the polarized plug.
- Plug the cord into a 120 volt AC outlet.
- The cord length of this product has been selected to reduce the possibility of tangling in a longer cord. If more cord length is needed, an extension cord may be used. It should be rated for at least 15 amps., 120 volts, and have Underwriters Laboratories/CSA listing.
- A six feet long, 15 amp. extension cord may be purchased from your local authorized service center. When using a longer cord, be sure not to let it drape over the working area or dangle where it could be accidentally pulled or tripped over.
- Handle the cord carefully for longer life; avoid jerking or straining the cord at the plug and outlet connections.

- **Note:**

Initial start up operation may result in minimal smell and smoke (about 15 min.). This is normal. It is due to a protective substance on heating elements which protects them from salt effects during shipping.

OPTIONAL ACCESSORIES

- **COOKIE SHEET (G)**

Must be placed directly on the wire rack. Perfect for baking biscuits and pastries.

- **OVEN LIGHT (B) AND ON/OFF LIGHT (F)**

- If the oven has an interior light (B), the light will remain turned ON when the oven is ON/OFF light (F) will turn OFF once the selected baking temperature inside the oven is reached. The interior light will turn on and off during cooking.
- If your oven does not have an oven light (B), the ON/OFF light (F) will light continuously when the oven is switched on (it does not operate as a temperature indicator).

- **HANDGRIP FOR WIRE RACK (N)**



Use handgrip to bring the wire rack out of the oven when it is hot.

COOKING PROGRAMS

1. HOW TO KEEP FOOD WARM

Place the food to be kept warm on the wire rack

- Set the thermostat dial (C) to the "KEEP WARM" position.
- Set the ON/OFF (D) dial to the "ON" position.
- Set the function selector dial to the "TOAST BAKE" position.

Once the "keep warm" function is no longer needed, turn the thermostat dial to "OFF" and the function selector dial to OFF.

This feature is designed to keep foods warm, after they are cooked for short periods of time without



1. Close the door
2. Set the thermostat dial (C) to the desired position/ temperature
3. Turn the ON/OFF timer dial to "ON"
4. Turn the function selector dial to the TOAST/BAKE position.
5. **When baking is finished turn the thermostat dial to the " ● " position and then to the "OFF" position.**

• **NOTE:**

We do not recommend the use of glass covers on casseroles.

Glass cooking dishes should never be closer than one inch from the heating element.

- **During the bake and toast function, do not put the bake pan (or any other accessory/container) directly on the lower heating element.**

• **HELPFUL BAKING HINTS**

To obtain best performance from this toaster-oven-broiler:

- Do not overfill the oven. Whenever possible, place foods in center of oven.
- Avoid opening the door too frequently to prevent heat loss.
- Foil may be used to cover the baking dish or pan. Be sure the ends of foil are tucked under the edge of the baking dish/pan.

• **TEMPERATURE AND TIME FOR TYPICAL FOODS (baking and roasting)**

The suggested temperature and times will vary depending on the temperature of the food placed in the oven, quantity and personal preference. Times given for meat and poultry are for refrigerator temperature. **minutes for preheating the oven.** In order to avoid overcooking when using for the first time, preheat the oven to set a low temperature. As you use the oven, the best settings will become familiar.

Food	Temperature setting	Approximate time	Notes and tips. (For wiring diagram see table on page 4)
Whole chicken 2.5-3 lbs. Unstuffed	400 °F	80-90 min. or until internal temperature of 175 °F in thigh and breast	Turning at half of cooking time is required. It is possible to cook above the broiling rack (top position) inside the oven to reduce spattering.
Pork loin or Rib Roast 2-3 lbs	400 °F	80-90 min. or until internal temperature of 170 °F is reached	Roast as for whole chicken
Beef Sirloin or Rib Roast 3 lbs	400 °F	60-70 min. or until tender and brown	No turning is needed
Meat loaf 2-2.5 lbs	350 °F	50-60 min.	Use the oven pan. No turning is needed. Mix 1.5 -2 lbs at minced meat, bread-crumbs, salt, pepper
Baked potatoes 3-4 large cut into pieces	400 °F	50-60 min.	Cut the potatoes into small pieces. Use the oven pan, mix with oil, salt and pepper. Turn after at least 30 minutes.
Loaf cakes	350 °F	Follow traditional recipe timing (slightly longer)	Use metal rectangular pan





- **TOP BROWNING**

Top browning is ideal for melting, crisping and toasting food surfaces. Use it for open faced buttered muffins or browning cooked casseroles.

1. Place the food on the oven pan (or on the cookie sheet, if provided) and place it on the oven pan.
2. Close the door, set both the selector and temperature dials to **BROIL**.
3. Turn the ON/OFF timer knob to **MEDIUM** or to **ON** (for longer browning times)

When experimenting with new uses, watch the food to avoid overbrowning.

When the browning cycle is completed (top surface with desired color) turn the thermostat dial to **OFF** and the ON/OFF dial to **OFF**.

3. INSTRUCTIONS FOR BROILING

Always use the oven pan with the broiling rack for broiling. No preheating of the broiler is required. Do not leave the broiler unattended when in use. Before using the broiler for the first time wash the pan and the rack with warm, sudsy water. Do not cover the oven wire rack with foil. This prevents fat and oils from draining, causing spatter and smoking, and also restricts proper ventilation.

- **BROILING**

1. Place the oven wire rack as shown in the table on page 4.
2. Place the food to be broiled on the broiling rack (H) (set inside the oven pan), then push the wire rack.
3. **Always leave the oven door slightly ajar (as shown below) during the broiling.**
4. Turn the thermostat dial (C) and the selector dial (E) to "BROIL".
5. Turn the ON/OFF dial to "ON".
6. Turn the function control knob to "BROIL".
7. When broiling is finished, turn the ON/OFF dial to the "OFF" position and the thermostat dial to the "●" position. Care should be taken when turning food, removing the oven pan and disposing of the grease collected while broiling. Use oven mitts.

- **Note:**

While smoke is an inherent characteristic of good broiling, the following tips should be used to reduce smoking:

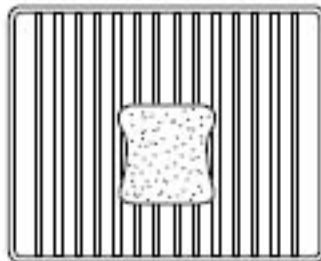
- Trim excess fat from meat and score the edges to prevent curling. Dry meat, fish and poultry with paper towel.
- For best results, thaw frozen meats before broiling. These two precautions will reduce smoke from the broiler.
- Placing the food on the broiling rack allows the juices and fat to drip into the oven pan and reduce spattering while broiling.
- If frozen steaks and chops are broiled, allow 1 and a half to 2 times the required broiling time required for unfrozen meat.
- If grease "pops" during broiling, turn the temperature control dial to a lower setting.
- Remove grease from the pan and wash the pan and broiling rack after use.
- The broiler should be cleaned inside after each use. Too much grease accumulation will cause smoke. Use any non-abrasive cleaner and hot water.
- For very thick steaks and other thick foods, we recommend using the lower broiling rack.
- Since fish is non-fatty it can be broiled directly on the oven pan. Broil until it flakes easily.



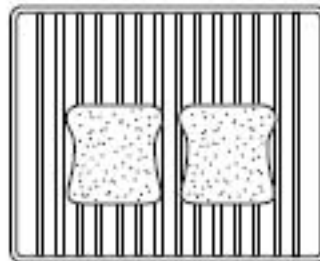


4. DIRECTIONS FOR AUTOMATIC TOASTING

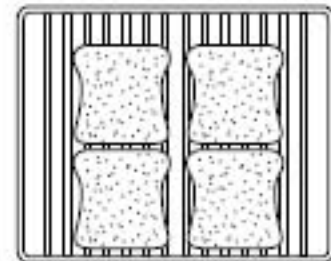
- The capacity of the wire rack (L) is such as to allow the toasting of 6 slices of bread at any case better results are obtained with 4 slices.
- For toasting, place the slices of bread as shown below:



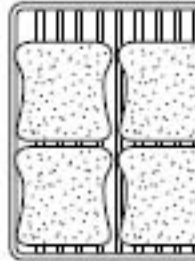
Toasting one slice



Toasting two slices



Toasting four slices



Toasting six slices

For consecutive toasting, turn the toast programming dial to a lower setting.

• INSTRUCTIONS FOR TOASTING

Always use the oven wire rack for toasting bread, sandwiches, English muffins and so on automatically.

1. Place the wire rack as shown in the table on page 4.
2. Center the food to be toasted on the wire rack. Close the door.
3. Set the thermostat dial to TOAST/BROIL position and the function selector dial to TOAST.
4. The toast programming dial (D) can be set clockwise for light, medium or dark toast or in between.

When using the toaster-oven-broiler for the first time, set the dial (D) to a medium setting and toast a few pieces of bread to check for desired brownness. If necessary, adjust the control to suit your preference.

5. When toasting, both the top and bottom heating element switch on to brown both sides at the same time. Condensation may build up on the inside of the glass door. This is normal.

The condensation will evaporate during the toasting cycle.

6. A ring indicates the end of the set time. The toasting cycle has been completed and the oven will shut off automatically. Turn the thermostat dial to the "●" position.

• Note:

This toaster-oven-broiler is capable of toasting in a wide range of colors, automatically. However, if you prefer a lighter shade of toast, simply interrupt the automatic toast cycle by turning the ON/OFF knob to "OFF". This will shut the unit off without damaging the oven.

If you prefer a darker shade, restart the toasting cycle by turning the dial (D) clockwise until the desired color is obtained.

Then switch off manually the thermostat dial and the toast programming dial as soon as possible.

As you use the oven, the best settings for favorite breads will become familiar.

• HINTS FOR TOASTING SUCCESS

Heavier breads and frozen breads will require a darker setting. One slice of bread will require a darker setting than several slices.





CLEANING AND MAINTENANCE

Always unplug the toaster-oven-broiler and allow it to cool before cleaning. The toaster-oven-broiler is designed and engineered with your safety in mind. To assure maximum safe operation, keep the interior free of grease and build up of food particles.

1. Remove the wire oven rack.
2. To clean the inside walls, use a damp cloth and a mild liquid soap solution. Never use abrasive or corrosive products or spray detergents.

- **Note:**

Do not clean interior with metal scouring pads. Pieces can break off and touch electrical components, creating risk of electrical shock.

3. To clean the glass door, use a glass cleaner or a damp cloth. Wipe dry with a clean cloth.
4. To clean the exterior finish, use a damp, sudsy cloth. For stubborn stains, a non-abrasive spray glass cleaner may be used. Do not use metal scouring pads, as they might mar the finish. Remove cleaning agents by polishing with a dry cloth.
5. The wire rack, the oven pan and the broiling rack may be washed as other kitchen ware.

- **CLEANING THE BOTTOM OF THE OVEN**

If your oven has a bottom that can be opened:

To clean the bottom of the oven, open the access panel by pressing the latch spring the access panel downwards. (see fig. A/B). Place the oven on its rear panel. This will make cleaning easier.

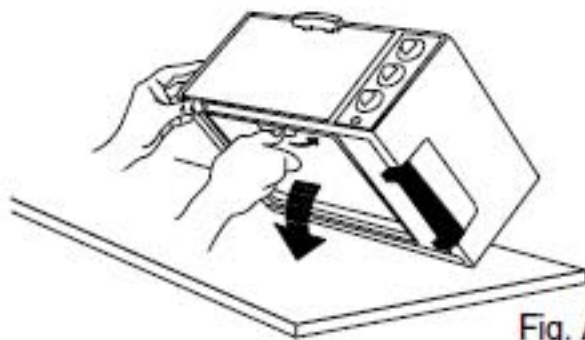


Fig. A



Fig. B

Clean the oven floor after use to avoid build-up of residue, as this will affect the cooking performance. Remove crumbs or wipe the oven floor with a damp cloth. For stubborn stains, use a nylon or plastic scrubber or a non-caustic cleaner, dry thoroughly before closing.

After cleaning, close the access panel and check that it is locked securely into position.

If your oven has a crumb tray:

Slide the crumb tray out from under the bottom of your oven (see Fig. C). Wash by hand. Should the particles be difficult to remove, rinse the crumb tray with hot soapy water and if necessary, scour it delicately, without scratching it.

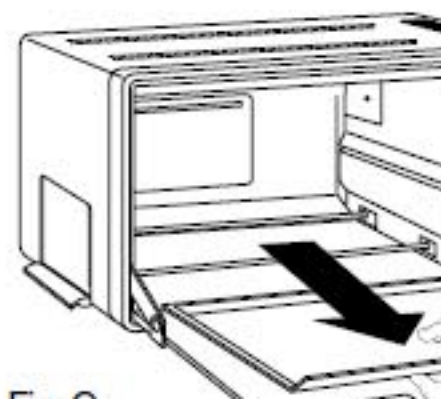


Fig. C



LIMITED WARRANTY

What does the warranty cover?

We warrant each appliance to be free from defects in material and workmanship. Our obligation under this warranty is limited to repair at our factory or authorized service center of any defective appliance, other than parts damaged in transit. In the event of a product replacement or return, returned transportation is prepaid. The repaired or new model will be returned at the company's expense. This warranty shall apply only if the appliance is used in accordance with the factory instructions that accompany it, and on an Alternating current (AC) circuit.

How long does the coverage last?

This warranty runs for one year (1) from the purchase date found on your receipt and only for the original purchaser for use.

What is not covered by the warranty?

The warranty does not cover defects or damage of the appliance, which result from repairs or modifications made outside our factory or authorized service centers, nor shall it apply to any appliance subject to abuse, misuse, negligence or accidents. Also, consequential and incidental damage resulting from the use of this product or arising out of any breach of contract or breach of this warranty are not recoverable under this warranty. Some states do not allow the exclusion or limitation of incidental or consequential damages. This limitation may not apply to you.

How do you get service?

If repairs become necessary please contact our toll free hotline at 1-800-322-3848 or log on to our website at www.delonghi.com.

The above warranty is in lieu of all other express warranties and representations. All implied warranties are limited to the applicable warranty period set forth above. This limitation does not apply if you purchase an extended warranty with De'Longhi. Some states do not allow limitations on how long an implied warranty lasts, so the above exclusions may not apply to you. De'Longhi does not authorize any other person to assume for it any liability in connection with the sale or use of its appliance.

How does state law apply?

This warranty gives you specific legal rights, and you may also have other rights, which vary from state to state.

