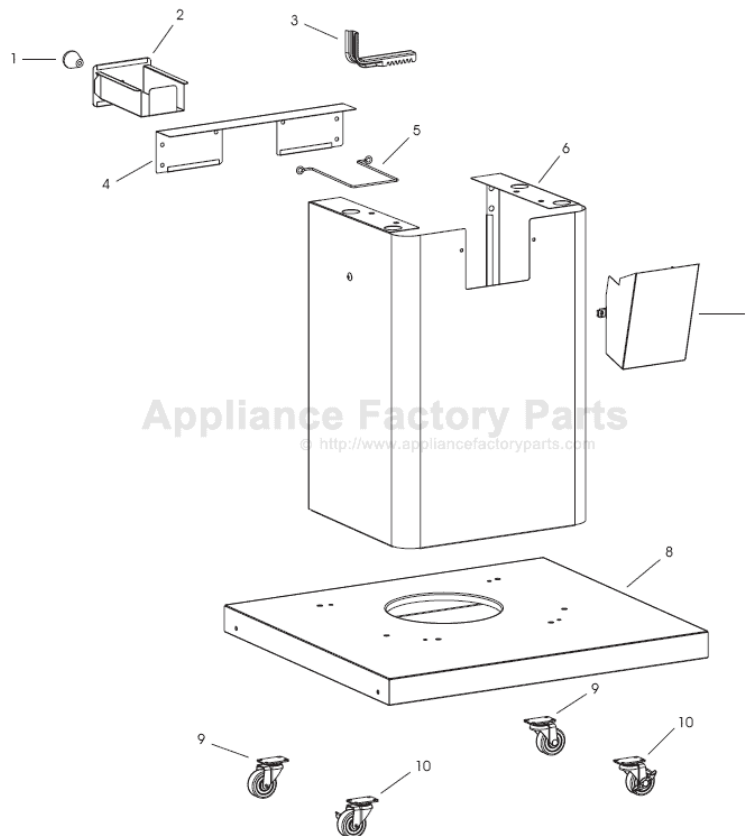


This Owner's Manual is provided and hosted by [Appliance Factory Parts](http://www.appliancefactoryparts.com).



Broilmaster DC2CART-1 Owner's Manual

[Shop genuine replacement parts for Broilmaster DC2CART-1](#)

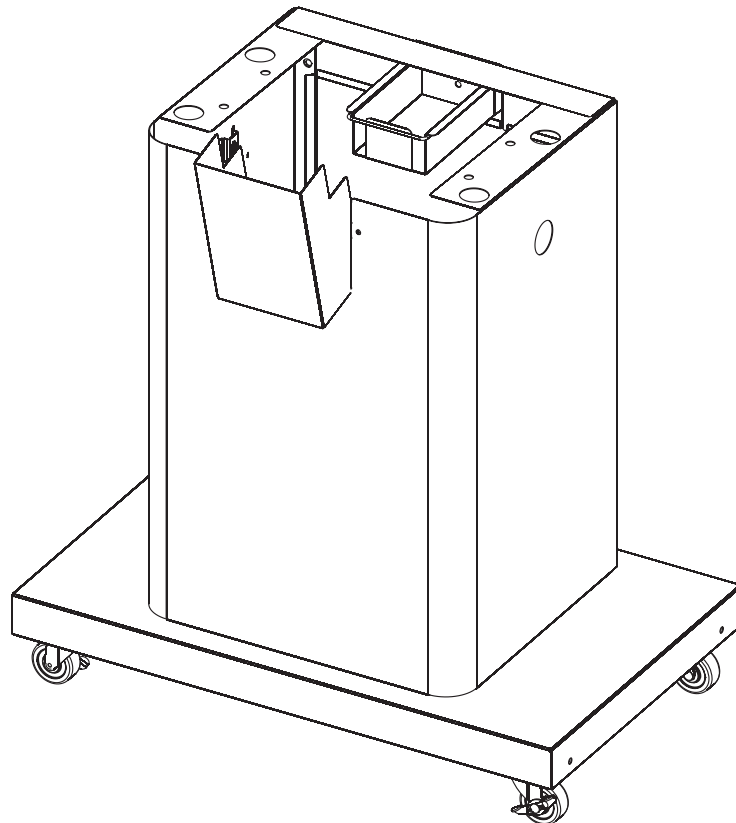


[Find Your Broilmaster Grill Parts - Select From 310 Models](#)

----- Manual continues below -----



PC2CART-1, DC2CART-1 INSTALLATION INSTRUCTIONS



VERIFY THAT ALL PARTS LISTED ON THE EXPLODED VIEW OF THIS MANUAL HAVE BEEN INCLUDED IN THIS CART BEFORE BEGINNING INSTALLATION.

CAUTION: USE CAUTION WHEN HANDLING PARTS, AS THEY MAY CONTAIN SHARP EDGES. WORK GLOVES ARE RECOMMENDED TO PREVENT INJURY.

KEEP THIS OWNER'S MANUAL FOR FUTURE REFERENCE.

**EMPIRE COMFORT SYSTEMS, INC • 918 FREEBURG AVE. • BELLEVILLE, IL 62220
B100999-1-0906**

TABLE OF CONTENTS

CONGRATULATIONS!

You have chosen the finest grill for your outdoor cooking pleasure. Please take time to read this entire manual before assembling your premium Broilmaster® accessory.

Important Information.....	3
PC Hardware Package	4
DC Hardware Package	5
Cart Exploded View	6
Cart Parts List	7
Cart Assembly.....	8
Fixed Base Assembly	10

THIS GAS ACCESSORY IS DESIGNED FOR OUTDOOR USE ONLY

IMPORTANT

THIS MANUAL SHOULD BE READ THOROUGHLY BY THE PERSON INSTALLING THE GRILL CART AND ALL PERSONS WHO WILL USE AND MAINTAIN THE GRILL MOUNTING. THE INSTALLER SHOULD BE SURE THE MANUAL IS LEFT IN THE POSSESSION OF THE USER. THE USER SHOULD RETAIN THIS MANUAL FOR FUTURE REFERENCE WHEN USING OR CLEANING THE GRILL CART AND TO PROPERLY IDENTIFY ANY REPAIR PARTS THAT MAY BE REQUIRED.

WARNING

REFERENCE THIS MANUAL FOR PROPER INSTALLATION AND MAINTENANCE INSTRUCTIONS. IMPROPER INSTALLATION, ADJUSTMENT, ALTERATION, SERVICE OR MAINTENANCE CAN CAUSE PERSONAL INJURY OR PROPERTY DAMAGE. FOR ASSISTANCE OR ADDITIONAL INFORMATION CONSULT A QUALIFIED INSTALLER, SERVICE AGENCY OR THE GAS SUPPLIER.

CAUTION:

THE GRILL AND ITS INDIVIDUAL SHUTOFF VALVE MUST BE DISCONNECTED FROM THE GAS SUPPLY PIPING SYSTEM DURING ANY PRESSURE TESTING OF THAT SYSTEM AT TEST PRESSURES IN EXCESS OF 1/2 PSIG.

CAUTION:

THE GRILL MUST BE ISOLATED FROM THE GAS SUPPLY PIPING SYSTEM BY CLOSING ITS INDIVIDUAL MANUAL SHUTOFF VALVE DURING ANY PRESSURE TESTING OF THE GAS SUPPLY PIPING SYSTEM AT TEST PRESSURES EQUAL TO OR LESS THAN 1/2 PSIG.

CAUTION:

PARTS MAY HAVE SHARP EDGES. WEAR LEATHER WORK GLOVES AND HANDLE PARTS CAREFULLY DURING THE UNPACKING, ASSEMBLY AND THE INSTALLATION.

WARNING

DO NOT SUPPLY LP GAS TO A GRILL DESIGNED FOR NATURAL GAS NOR NATURAL GAS TO A GRILL DESIGNED FOR LP GAS.

NOTICE

ASSEMBLE GRILL CART BEFORE ASSEMBLING GRILL.

IMPORTANT INFORMATION

Grill Location

Broilmaster® Premium Gas Grills are designed for outdoor use ONLY.

This cart is are designed for use with Broilmaster® gas grills and must not be used with any other grill or for any other purpose.

Never install or operate your grill in any building, garage, or other enclosed area.

For your safety, the grill should not be installed or operated under any combustible materials, such as carports, covered porches, awnings, or overhangs.

Never install or use your grill in or on any recreational vehicle or boat.

CAUTION: THE INSTALLATION AND OPERATION OF THIS GRILL AT CLEARANCES LESS THAN SPECIFIED BELOW MAY LEAD TO THE POSSIBILITY OF FIRE, PROPERTY DAMAGE, OR PERSONAL INJURY.

A minimum clearance of sixteen (16") inches is required from all sides of the grill to any combustible material.

A minimum clearance of eighteen (18") inches is required from the back of the grill to any combustible material.

Examples of combustible materials are patio furniture, fences, or the wall of your home.

The area surrounding the grill should be clear to ensure proper ventilation. Do not obstruct the flow of combustion and ventilation air in any way. The ventilation openings on the propane cylinder enclosure must also remain free and clear of debris.

WARNING: Do NOT INSTALL OR OPERATE A GAS GRILL WHERE GASOLINE OR OTHER FLAMMABLE MATERIALS ARE USED OR STORED. FAILURE TO COMPLY WITH THIS WARNING COULD RESULT IN EXPLOSION OR FIRE CAUSING PROPERTY DAMAGE OR PERSONAL INJURY.

Gas Types

Never use liquid propane gas with a grill designed for natural gas, or natural gas with a grill designed for liquid propane gas. The type of gas required for your grill is defined on its product identification label. Questions regarding different types of gases should be directed to your gas supplier.

Cleaning

The exterior of your cart may be cleaned with hot water and mild detergent as needed.

Touch-up paint is available through your Broilmaster® dealer.

Stainless steel surfaces may be cleaned with a spray-on stainless steel cleaner available at most hardware stores.

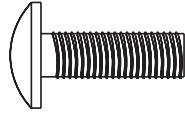
Important: Do not use harsh or abrasive cleaners! Your cart has a highly polished surface and may be easily scratched.

Periodic Inspection and Maintenance

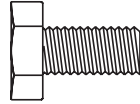
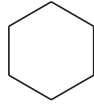
Periodic inspections and maintenance are essential. All Broilmaster® Gas Grill products or mechanical devices eventually begin to wear due to environment, contaminants, corrosion or aging. Inspect all components at least twice per year and replace any that show wear.

If any parts are damaged or missing, you may order parts from your local Broilmaster® dealer. Please refer to the Parts Diagram and Parts List section of this manual for more detailed information.

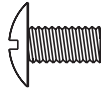
PC HARDWARE PACKAGE



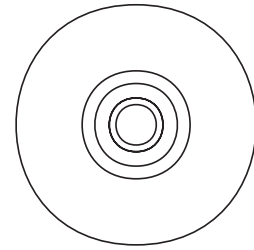
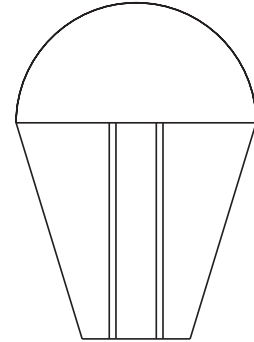
B072217 SCREW 1/4-20 X 3/4 PH TRUSS HEAD SS



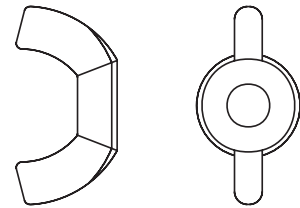
B100116 1/4-20 X 1/2 HEX HEAD BOS



B100130 SCREW #10-24 X 3/8 PH TRUSS HEAD SS

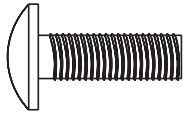
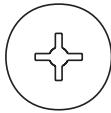


B062998 KNOB

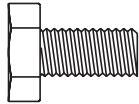
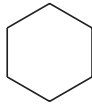


B063097 1/4-20 WING NUT STAINLESS

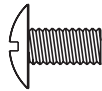
DC HARDWARE PACKAGE



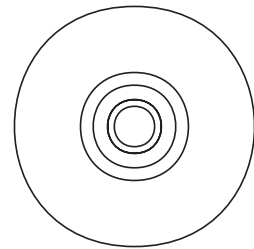
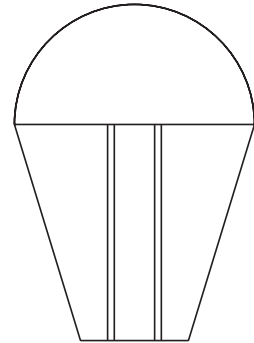
B072220 SCREW 1/4-20 X 3/4 PH TRUSS HEAD BOS



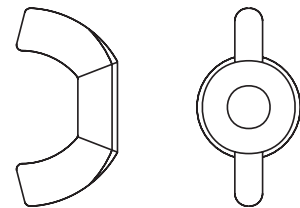
B100116 1/4-20 X 1/2 HEX HEAD BOS



B100137 SCREW #10-24 X 3/8 PH TRUSS HEAD BOS

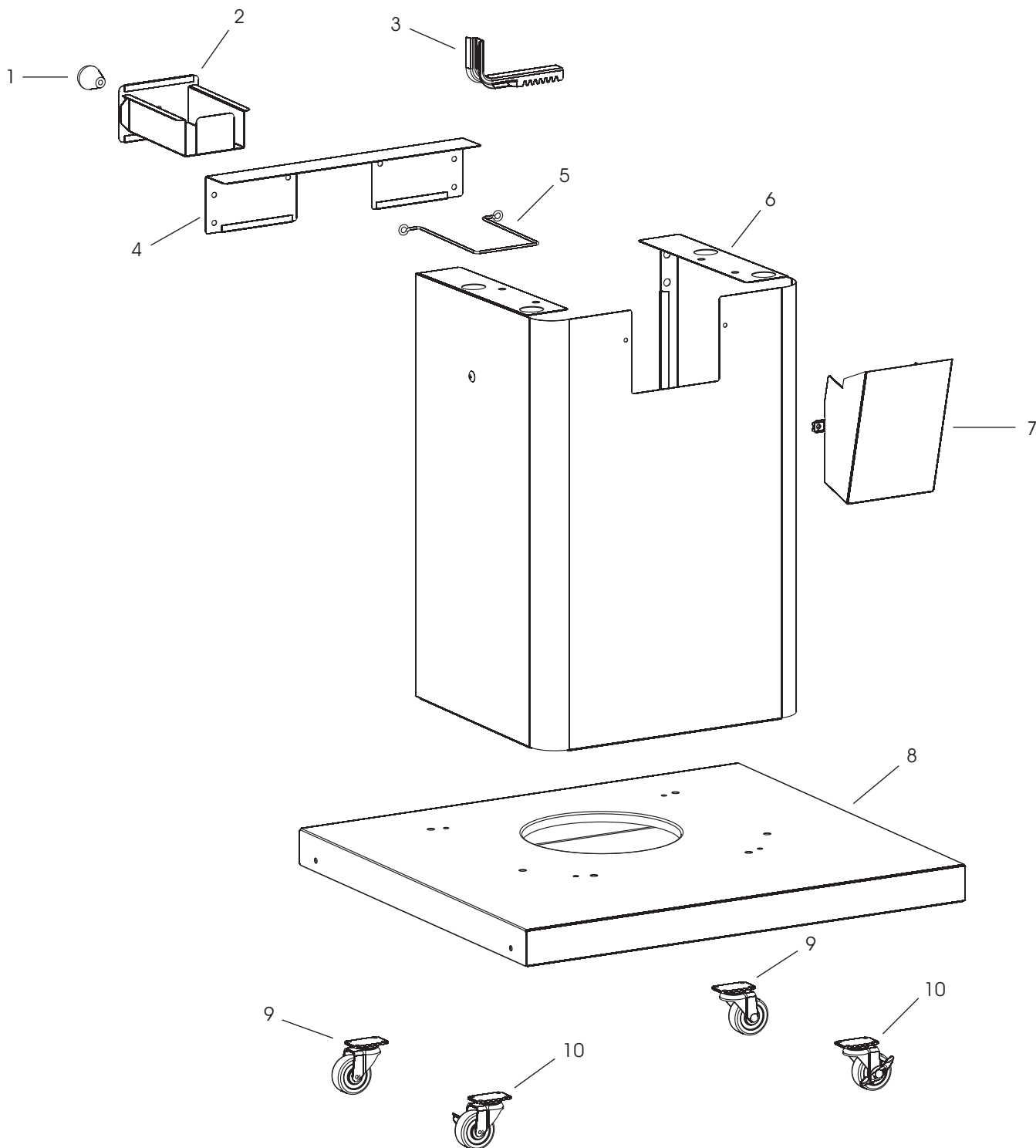


B062998 KNOB



B072181 1/4-20 WING NUT BOS

CART EXPLODED VIEW



REMOVE PROTECTIVE COATING AND VERIFY THAT ALL PARTS LISTED ON THE EXPLODED VIEW OF THIS MANUAL HAVE BEEN INCLUDED BEFORE BEGINNING ASSEMBLY.

CAUTION: USE CAUTION WHEN HANDLING PARTS, AS THEY MAY CONTAIN SHARP EDGES. WORK GLOVES ARE RECOMMENDED TO PREVENT INJURY.

TOOLS REQUIRED: PHILLIPS HEAD SCREW DRIVER (AN ELECTRIC SCREW DRIVER OR DRILL IS RECOMMENDED TO EASE INSTALLATION.)

CART PARTS LIST

All repair part orders should be placed through your local Broilmaster® dealer. To locate a dealer in your area, contact Broilmaster Customer Service at 800-851-3153 • www.broilmaster.com. To ensure prompt and accurate service, please provide the following information when placing a repair part order: Model Number, Part Name, Part Number, and Quantity of parts needed.

KEY NO.	PART NAME	PC2CART	DC2CART
1	KNOB	B062998	B062998
2	DRIP PAN DRAWER ASSEMBLY	B072205	B072210
3	CYLINDER RETAINER	B064791	B064791
4	BRACE REAR CART	B072201	B072203
5	DRIP PAN BRACKET	B072215	B072215
6	BASE BODY ASSEMBLY	B100996	B101009
7	CONTROL HOUSING	B101027	B101026
8	BASE SHELF ASSEMBLY	B101001 (INCLUDES 9 & 10)	B101004 (INCLUDES 9 & 10)
9	CASTER W/O BRAKE	B063103	B063103
10	CASTER W/BRAKE	B063104	B063104
NS	DRIP PAN	B060337	B060337

CART ASSEMBLY

Attention: Peel protective film from all parts before assembly.

Caution: Be careful when handling parts, as they may contain sharp edges. Work gloves are recommended to prevent injury.

In each illustration parts are identified with "Key" numbers. Key numbers appear in parenthesis after a part name is mentioned for the first time in the instructions and are labeled on the illustrations. You can reference each part by its key number on the Parts List if you need help in identifying a part.

Attention: For fixed base installation instructions, turn to page 10.

1

Attach base body assembly (6) to base shelf assembly (8) with six 1/4-20 x 3/4" phillips head screws. Insert screws into the factory installed threaded inserts on the base shelf assembly. Tighten screws completely. See Figure 1.

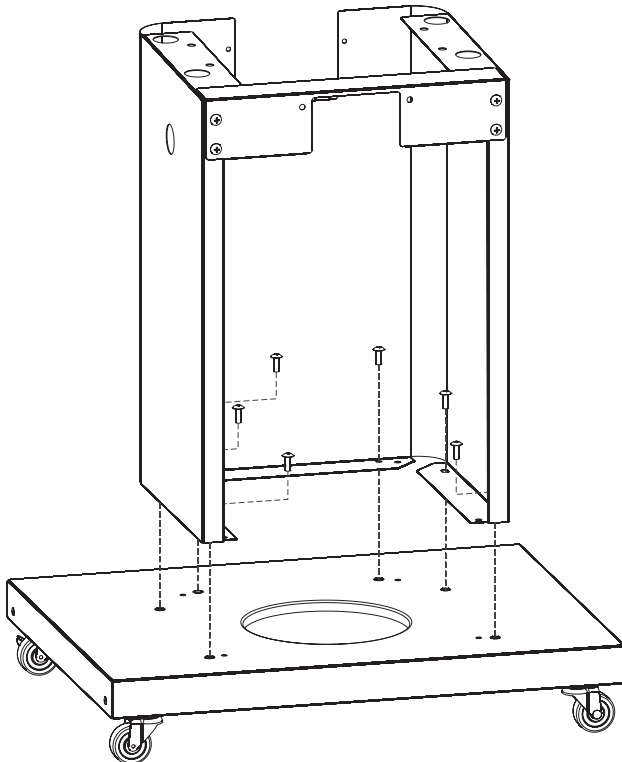
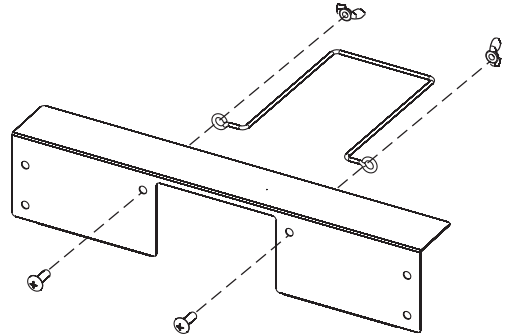


FIGURE 1

2

Attach drip pan bracket (5) to the rear brace of the base body assembly with two 1/4-20 x 3/4 phillips head screws and two 1/4-20 Wing Nuts. Figure 2.



(Base body removed for clarity)

FIGURE 2

3

Install one 1/4-20 x 3/4 phillips head screw into the factory installed nut on the Left Side of cart. Figure 3.

4

Fasten the Cylinder Retainer (3) to the screw with a wing nut. Adjust height to accommodate your LP cylinder. Figure 3.

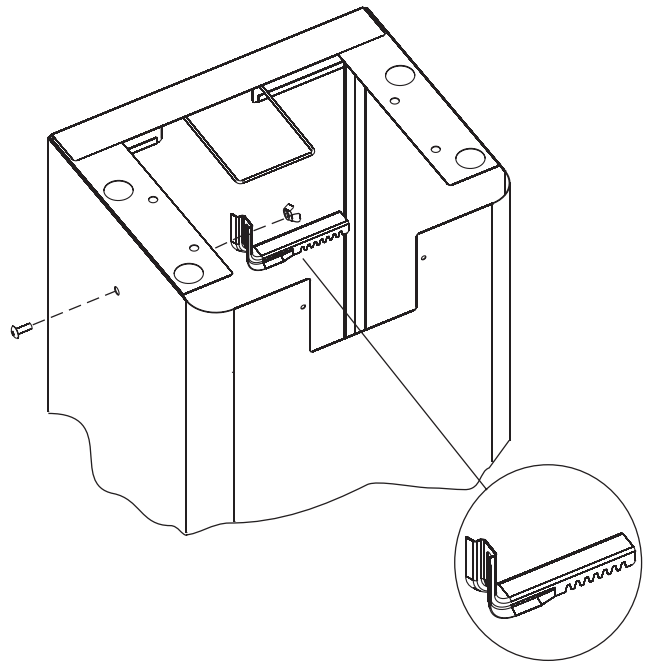


FIGURE 3

CART ASSEMBLY

5

Using four 1/4-20 x 3/4 screws, fasten the grill to the cart. Figure 4.

Note: To ease assembly you may wish to install the igniter as shown in your Broilmaster® grill manual before attaching the grill to the cart.

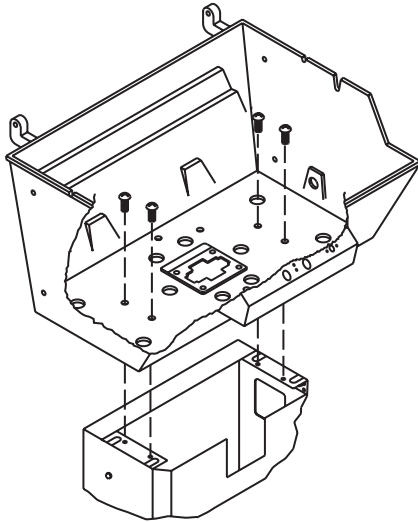


FIGURE 4

6

Install one 1/4-20 x 1/2 hex head BOS into drip pan drawer assembly (2) and tighten knob (1). Figure 5.

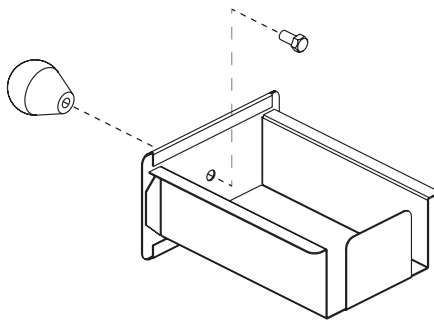


FIGURE 5

7

Slide the mounting tabs on the control (7) housing behind the opening on the cart. Allow the control housing to rest at bottom of opening on cart. Figure 6.

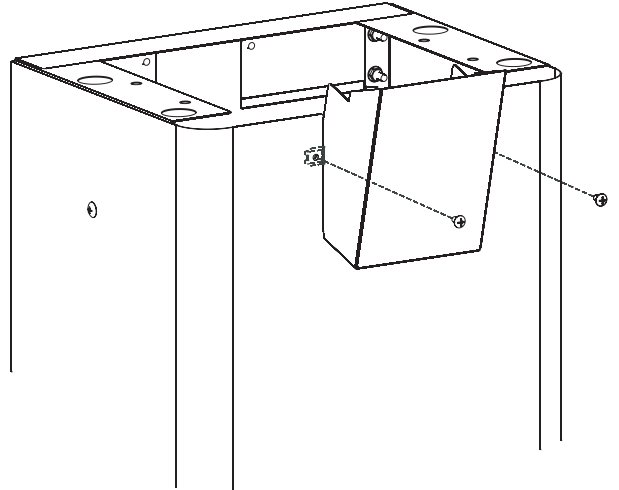


FIGURE 6

8

Align the holes in the front of cart with the nuts on the control housing (with the mounting tabs positioned inside cart) and attach with the two 10-24 x 3/8 phillips head screws. Figure 6.

9

Place the drip pan in the drip pan drawer and slide onto drip pan bracket. Figure 7.

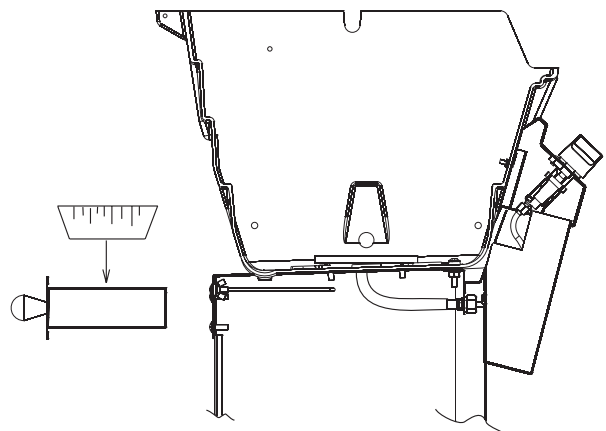


FIGURE 7

FIXED BASE INSTALLATION INSTRUCTIONS

Attention: Peel protective film from all parts before assembly.

Caution: Be careful when handling parts, as they may contain sharp edges. Work gloves are recommended to prevent injury.

In each illustration parts are identified with "Key" numbers. Key numbers appear in parenthesis after a part name is mentioned for the first time in the instructions and are labeled on the illustrations. You can reference each part by its key number on the Parts List if you need help in identifying a part.

1

Remove four casters (9, 10) (wheels) from base shelf assembly (8).

2

Attach base body assembly (6) to base shelf assembly (8) with six 1/4-20x3/4" phillips head screws. Insert screws into the factory installed threaded inserts on the base shelf assembly. Tighten screws completely. Figure 8.

3

Position base at the installation location.

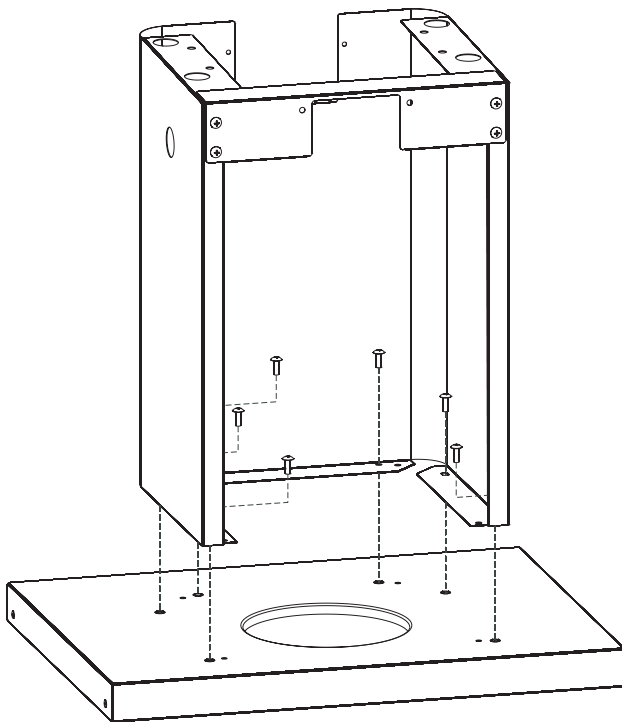


FIGURE 8

4

Attach base to surface (deck, concrete, etc.) with four appropriate bolts (not supplied). Figure 9.

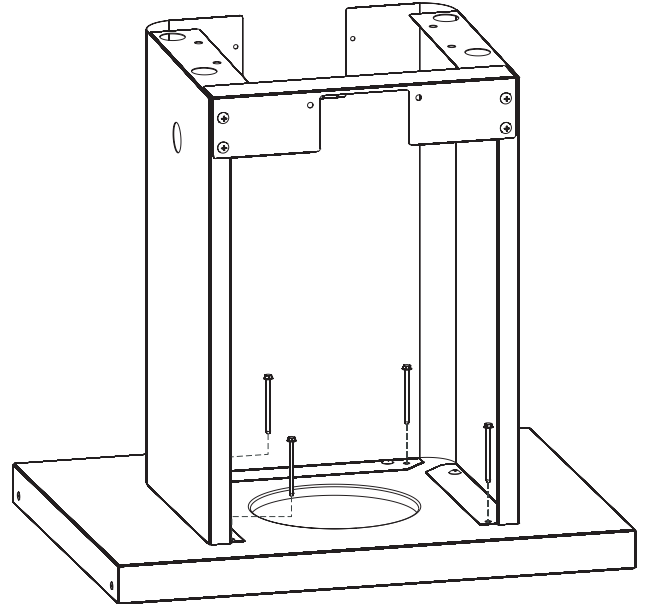
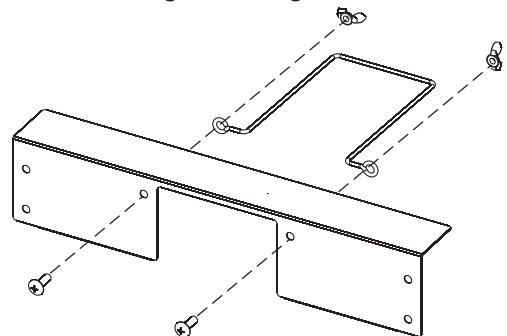


FIGURE 9

5

Attach drip pan bracket (5) to the rear brace of the base body assembly with two 1/4-20 x 3/4 phillips head screws and two 1/4-20 Wing Nuts. Figure 10.



(Base body removed for clarity)

FIGURE 10

FIXED BASE INSTALLATION INSTRUCTIONS

6

Install one 1/4-20 x 3/4 phillips head screw into the factory installed nut on the Left Side of cart. Figure 11.

7

Fasten the Cylinder Retainer (3) to the screw with a wing nut. Adjust height to accommodate your LP cylinder. Figure 11.

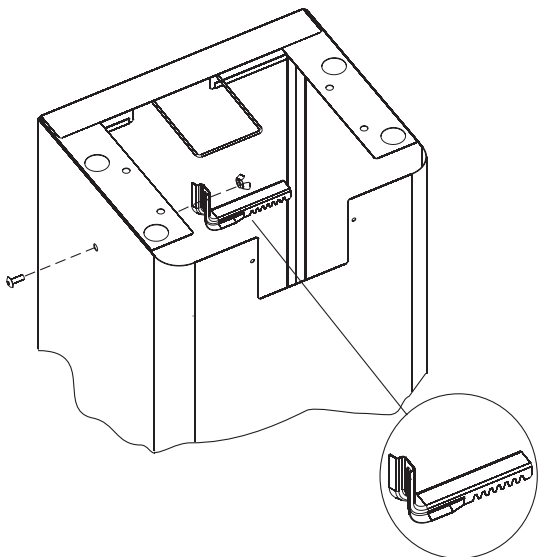


FIGURE 11

8

Using four 1/4-20 x 3/4 screws, fasten the grill to the cart. Figure 12.

Note: To ease assembly you may wish to install the igniter as shown in your Broilmaster® grill manual before attaching the grill to the cart.

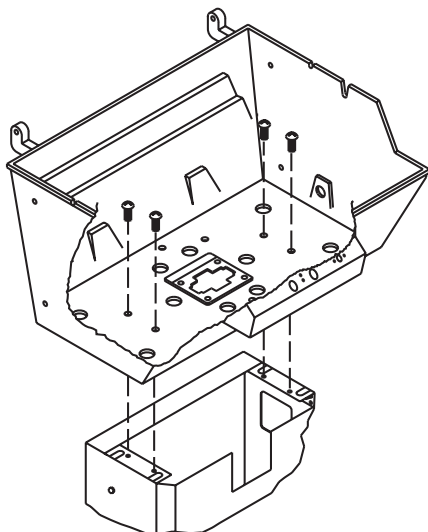


FIGURE 12

9

Install one 1/4-20 x 1/2 hex head BOS into drip pan drawer assembly (2) and tighten knob (1). Figure 13.

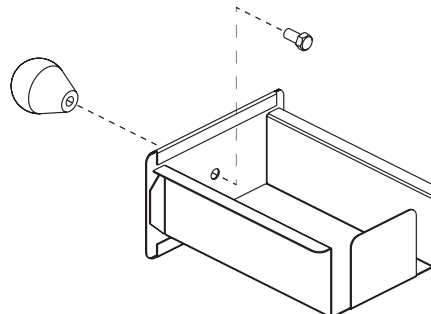


FIGURE 13

10

Slide the mounting tabs on the control housing (7) behind the opening on cart. Allow the control housing to rest at bottom of opening on cart. Figure 14.

11

Align the holes in the front of the cart with the nuts on the control housing (with the mounting tabs positioned inside the cart) and attach with two 10-24x3/8 phillips head screws. Figure 14.

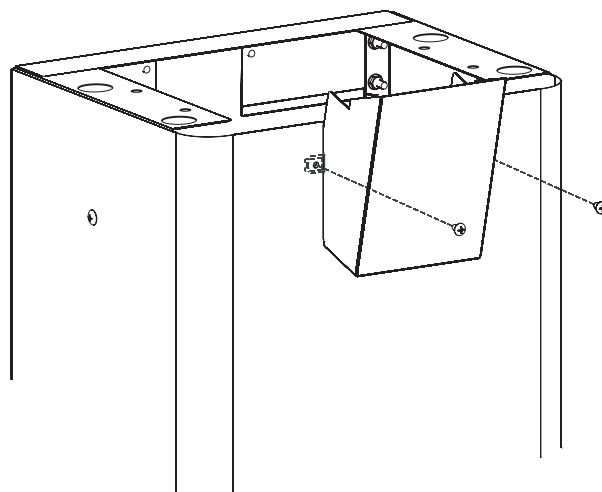


FIGURE 14

FIXED BASE INSTALLATION INSTRUCTIONS

12

Place the drip pan in the drip pan drawer and slide onto drip pan bracket. Figure 15.

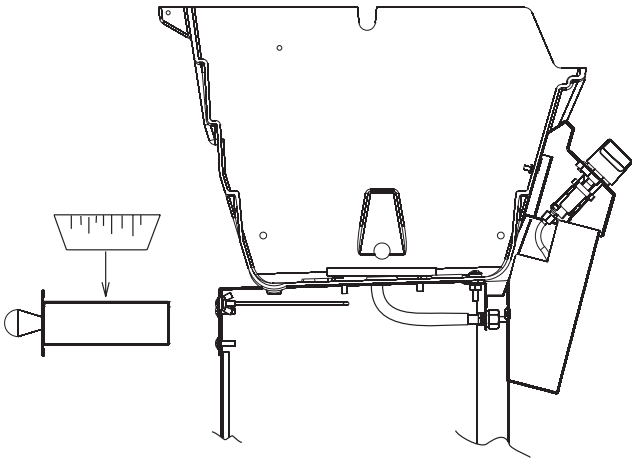


FIGURE 15

BROILMASTER®
PREMIUM GAS GRILLS

BROILMASTER®

A Division of Empire Comfort Systems, Inc.

918 Freeburg Ave.

Belleville, Illinois 62220

Phone: 1-800-851-3153

FAX: 1-800-443-8648

VISIT OUR WEB SITE AT www.broilmaster.com

RETAIN OWNER'S MANUAL FOR FUTURE REFERENCE.

FORM No. B100999-0-0906