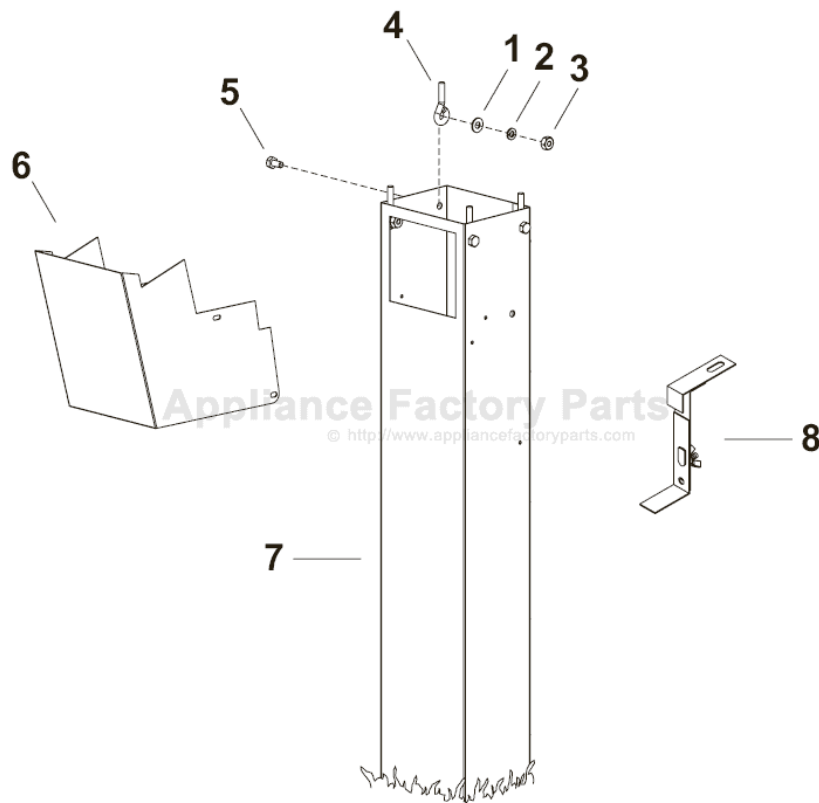


This Owner's Manual is provided and hosted by Appliance Factory Parts.



Broilmaster SSP48 Owner's Manual

[Shop genuine replacement parts for Broilmaster SSP48](#)



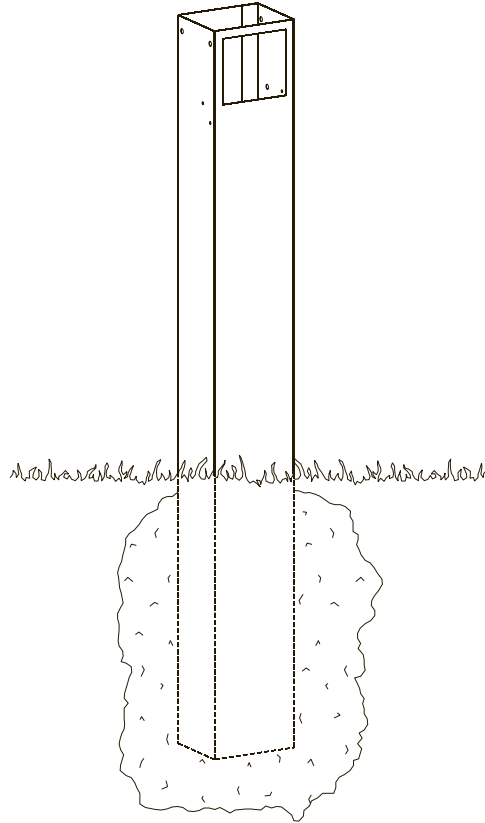
[Find Your Broilmaster Grill Parts - Select From 310 Models](#)

----- Manual continues below -----

BROILMASTER®

PREMIUM GAS GRILLS

BP48-1 AND SSP48-1 IN-GROUND POST INSTALLATION INSTRUCTIONS



WARNING: THIS IN-GROUND POST IS NOT DESIGNED FOR USE WITH AN LP GAS CYLINDER.

WARNING: SEE YOUR GRILL OWNER'S MANUAL FOR PROPER LOCATION, MINIMUM CLEARANCES, AND OTHER IMPORTANT SAFETY INFORMATION BEFORE PROCEEDING WITH INSTALLATION OF THIS IN-GROUND POST.

VERIFY THAT ALL PARTS LISTED ON THE EXPLODED VIEW OF THIS MANUAL HAVE BEEN INCLUDED IN THIS POST BEFORE BEGINNING INSTALLATION.

CAUTION: USE CAUTION WHEN HANDLING PARTS, AS THEY MAY CONTAIN SHARP EDGES. WORK GLOVES ARE RECOMMENDED TO PREVENT INJURY.

KEEP THIS OWNER'S MANUAL FOR FUTURE REFERENCE.

EMPIRE COMFORT SYSTEMS, INC. • 918 FREEBURG AVE. • BELLEVILLE, IL 62220

THIS GAS ACCESSORY IS DESIGNED FOR OUTDOOR USE ONLY

IMPORTANT

THIS MANUAL SHOULD BE READ THOROUGHLY BY THE PERSON INSTALLING THE GRILL MOUNTING AND ALL PERSONS WHO WILL USE AND MAINTAIN THE GRILL MOUNTING. THE INSTALLER SHOULD BE SURE THE MANUAL IS LEFT IN THE POSSESSION OF THE USER. THE USER SHOULD RETAIN THIS MANUAL FOR FUTURE REFERENCE WHEN USING OR CLEANING THE GRILL MOUNTING AND TO PROPERLY IDENTIFY ANY REPAIR PARTS THAT MAY BE REQUIRED.

WARNING

REFERENCE THIS MANUAL FOR PROPER INSTALLATION AND MAINTENANCE INSTRUCTIONS. IMPROPER INSTALLATION, ADJUSTMENT, ALTERATION, SERVICE OR MAINTENANCE CAN CAUSE PERSONAL INJURY OR PROPERTY DAMAGE. FOR ASSISTANCE OR ADDITIONAL INFORMATION CONSULT A QUALIFIED INSTALLER, SERVICE AGENCY OR THE GAS SUPPLIER.

CAUTION:

THE GRILL AND ITS INDIVIDUAL SHUTOFF VALVE MUST BE DISCONNECTED FROM THE GAS SUPPLY PIPING SYSTEM DURING ANY PRESSURE TESTING OF THAT SYSTEM AT TEST PRESSURES IN EXCESS OF **1/2 PSIG**.

CAUTION:

THE GRILL MUST BE ISOLATED FROM THE GAS SUPPLY PIPING SYSTEM BY CLOSING ITS INDIVIDUAL MANUAL SHUTOFF VALVE DURING ANY PRESSURE TESTING OF THE GAS SUPPLY PIPING SYSTEM AT TEST PRESSURES EQUAL TO OR LESS THAN **1/2 PSIG**.

CAUTION:

PARTS MAY HAVE SHARP EDGES. WEAR LEATHER WORK GLOVES AND HANDLE PARTS CAREFULLY DURING THE UNPACKING, ASSEMBLY AND THE INSTALLATION.

WARNING

DO NOT SUPPLY **LP** GAS TO A GRILL DESIGNED FOR NATURAL GAS NOR NATURAL GAS TO A GRILL DESIGNED FOR **LP** GAS.

NOTICE

ASSEMBLE IN-GROUND POST BEFORE ASSEMBLING GRILL.

TABLE OF CONTENTS

CONGRATULATIONS!

You have chosen the finest grill for your outdoor cooking pleasure. Please take time to read this entire manual before assembling your premium Broilmaster® accessory.

Important Information.....	4
In-Ground Post Parts List & Exploded View.....	5
In-Ground Post Installation.....	6-8

IMPORTANT INFORMATION

Grill Location

Broilmaster Premium Gas Grills are designed for outdoor use ONLY.

These mounting accessories are designed for use with Broilmaster gas grills and must not be used with any other grill or for any other purpose.

Never install or operate your grill in any building, garage, or other enclosed area.

For your safety, the grill should not be installed or operated under any combustible materials, such as carports, covered porches, awnings, or overhangs.

Never install or use your grill in or on any recreational vehicle or boat.

CAUTION: THE INSTALLATION AND OPERATION OF THIS GRILL AT CLEARANCES LESS THAN SPECIFIED BELOW MAY LEAD TO THE POSSIBILITY OF FIRE, PROPERTY DAMAGE, OR PERSONAL INJURY.

A minimum clearance of sixteen (16") inches is required from all sides of the grill to any combustible material.

A minimum clearance of eighteen (18") inches is required from the back of the grill to any combustible material.

Examples of combustible materials are patio furniture, fences, or the wall of your home.

The area surrounding the grill should be clear to ensure proper ventilation. Do not obstruct the flow of combustion and ventilation air in any way. The ventilation openings on the propane cylinder enclosure must also remain free and clear of debris.

WARNING: Do NOT INSTALL OR OPERATE A GAS GRILL WHERE GASOLINE OR OTHER FLAMMABLE MATERIALS ARE USED OR STORED. FAILURE TO COMPLY WITH THIS WARNING COULD RESULT IN EXPLOSION OR FIRE CAUSING PROPERTY DAMAGE OR PERSONAL INJURY.

Gas Types

Never use liquid propane gas with a grill designed for natural gas, or natural gas with a grill designed for liquid propane gas. The type of gas required for your grill is defined on its product identification label. Questions regarding different types of gases should be directed to your gas supplier.

Cleaning

The exterior of your post may be cleaned with hot water and mild detergent as needed.

Touch-up paint is available through your Broilmaster dealer.

Stainless steel surfaces may be cleaned with a spray-on stainless steel cleaner available at most hardware stores.

Important: Do not use harsh or abrasive cleaners! Your post has a highly polished surface and may be easily scratched.

PERIODIC INSPECTION AND MAINTENANCE

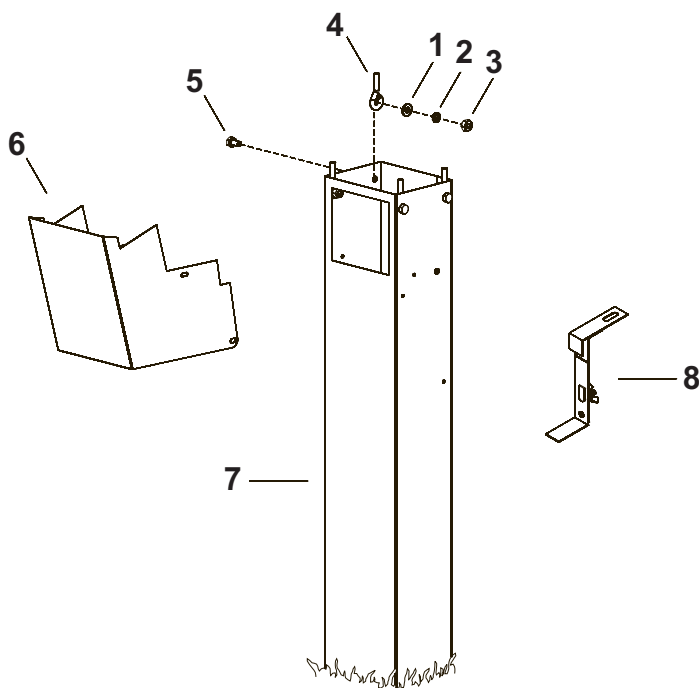
Periodic inspections and maintenance are essential. All Broilmaster Gas Grill products or mechanical devices eventually begin to wear due to environment, contaminants, corrosion or aging. Inspect all components at least twice per year and replace any that show wear.

If any parts are damaged or missing, you may order parts from your local Broilmaster dealer. Please refer to the Parts Diagram and Parts List section of this manual for more detailed information.

IN-GROUND POST PARTS LIST & EXPLODED VIEW

All repair part orders should be placed through your local Broilmaster dealer. To locate a dealer in your area, contact Broilmaster Customer Service at 800-851-3153. To ensure prompt and accurate service, please provide the following information when placing a repair part order: Model Number, Part Name, Part Number, and Quantity of parts needed.

Key Number	Part Name	Quantity	BP48 Part Number	SSP48 Part Number
1	9/32 I.D. x 5/8 O.D. Flat Washer	5	B100136	B100136
2	1/4 Lock Washer	8	B100139	B100139
3	1/4-20 Hex Nut	8	B100120	B100120
4	1/4-20 x 1 3/4" Eyebolt	4	B100118	B100118
5	1/4-20 x 3/4" Bolt	4	B100115	B063096
6	Control Housing	1	B101076	B101060
7	48" Post	1	B825615	B064573
8	Grease Cup Bracket Assembly	1	B100545	B100545
NS	Stainless Steel Flex Tube Assembly	1	B076519	B076519
NS	#8 x 1/2" Phillips Truss Screw	2	B100132	N/A
NS	Fastener Panel - Plastic	2	N/A	B068182
NS	Male Flare Fitting	1	B100100	B100100
NS	#10-24 Wing Nut	2	B100125	B100125
NS	#10-24 x 3/4" Bolt	1	B100128	B100128
NS	Grease Cup	1	B100526	B100526



REMOVE PROTECTIVE COATING FROM STAINLESS STEEL PARTS STARTING AT POP RIVETS AND VERIFY THAT ALL PARTS LISTED IN THE EXPLODED VIEW ON THIS PAGE HAVE BEEN INCLUDED BEFORE BEGINNING THIS INSTALLATION.

CAUTION: USE CAUTION WHEN HANDLING PARTS, AS THEY MAY CONTAIN SHARP EDGES.

WORK GLOVES ARE RECOMMENDED TO PREVENT INJURY.

IN-GROUND POST INSTALLATION

The BP48 and SSP48 In-Ground Posts are only for use with Broilmaster Gas Grills. Before proceeding with installation read your Owner's Manual for the proper location and minimum clearances to combustible materials for your grill and in-ground post.

Verify that all parts listed in the exploded view of this product have been included before beginning this installation.

Recommended Tools:

- Two adjustable wrenches or a socket set
- A medium Phillips screwdriver
- Pipe thread sealer or Teflon tape (for gas connections)
- Soapy water solution (to test for leaks)

1

Dig a hole approximately 12" in diameter and 24" in depth at the desired grill location.

Note: "Normal Installation" height is achieved when the top of the 48" post (7) is 25 1/4" above ground. This height provides a cooking surface height of 34 1/2" above ground when grids are placed in the high level position.

Carefully lower the in-ground post into the hole using the following guidelines:

- The rectangular cut-out is located near the TOP of the post and should be above ground after installation. Figure 1.
- The rectangular cut-out must face in the SAME direction as the front of the grill.
- Hole depth and post measurements should be checked to ensure desired height.

Note: Make any adjustments at this time.

Prepare concrete or a standard pre-mix according to the manufacturer's package directions.

Position the 48" post in the center of the hole. A level should be used when aligning the post to achieve precise vertical alignment. Hold the post in place while pouring the concrete mixture into the hole around the post.

CAUTION: THE CONCRETE MIXTURE MUST NOT COVER THE GAS SUPPLY ENTRY HOLE ON THE POST. THE GAS SUPPLY ENTRY HOLE (2" DIAMETER HOLE) IS LOCATED 18 3/4" FROM THE BOTTOM OF THE POST.

Make a final alignment check with the level, and adjust as needed. Allow concrete to set (usually 24 hours).

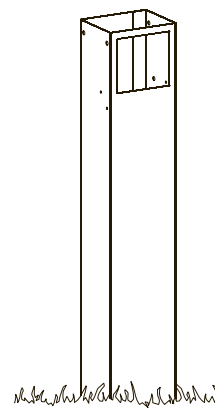


FIGURE 1

2

After the concrete has set, insert the stainless steel flex tube assembly in the post. Figure 2.

Note: Do not attempt to cut or alter the stainless steel flex tube assembly in any way.

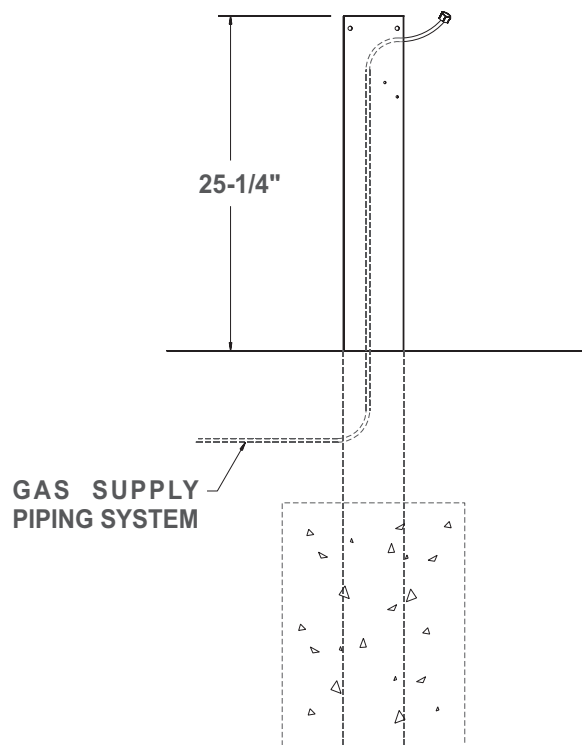


FIGURE 2

IN-GROUND POST INSTALLATION

3

Insert a 1/4 - 20 x 3/4" bolt (5) through one of the four holes in the top of the post. Fasten a 1/4 - 20 1 3/4 eyebolt (4), 9/32 ID x 5/8 OD flat washer (1), 1/4 lock washer (2), and 1/4 - 20 hex nut (3) to the 1/4 - 20 x 3/4 bolt (5) inside the post. Repeat this process for the three remaining holes. Figure 3.

Place the grill bottom on top of the post with the four eyebolts protruding through the holes located on the grill bottom.

Secure the grill bottom to the post by placing a 1/4 lock washer and 1/4 - 20 hex nut onto each of the four eyebolts. Figure 3.

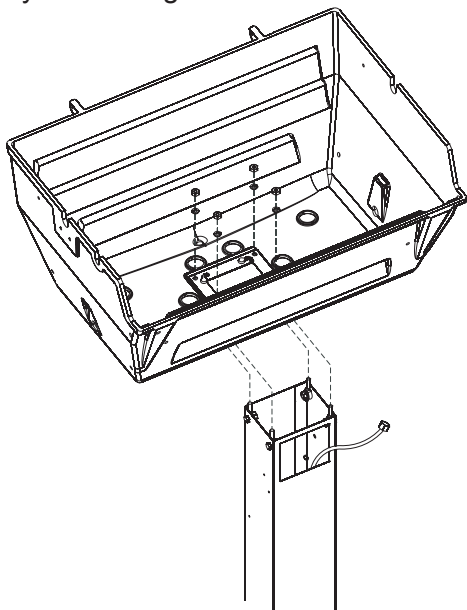


FIGURE 3

4

Arrange with your local gas company or licensed contractor to have a gas supply line connected to the inlet of the stainless steel flex tube assembly. The gas supply must have a shutoff valve inside the wall and must be shutoff when the grill is not in use.

Use pipe thread sealant or Teflon tape at the threads of each connection being careful to not allow any of these materials into the flare seat. Test for gas leaks as directed by the grill's Owners Manual.

The grill and its individual shutoff valves must be disconnected from the gas supply piping system during any pressure testing of that system at test pressures in excess of 1/2 PSIG. The grill must be isolated from the gas supply piping system by closing its individual manual shutoff valves during any pressure testing of the gas supply piping system at test pressures equal to or less than 1/2 PSIG.

WARNING: Do NOT SUPPLY LP GAS TO A GRILL DESIGNED FOR NATURAL GAS OR NATURAL GAS TO A GRILL DESIGNED FOR LP GAS.

Gas leak tests should be completed as directed in the grill Owner's Manual.

Completely fill remaining hole with soil.

5

Attach the control housing (6) using two #8 x 1/2" Phillips Truss Screws or two Plastic Panel Fasteners as shown in Figure 4.

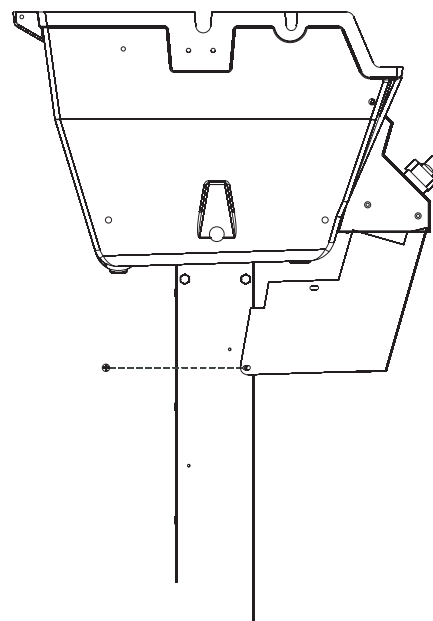


FIGURE 4

IN-GROUND POST INSTALLATION

6

Attach the grease cup bracket assembly (8) to the bottom of the grill casting and fasten with 10-24 x 3/4" bolt, 9/32 ID x 5/8 OD washer, and #10-24 wing nut. Figure 5.

Use only the supplied grease cup or noncombustible containers for the grease cup (aluminum or tin cans). DO NOT use combustible containers such as paper or Styrofoam cups.

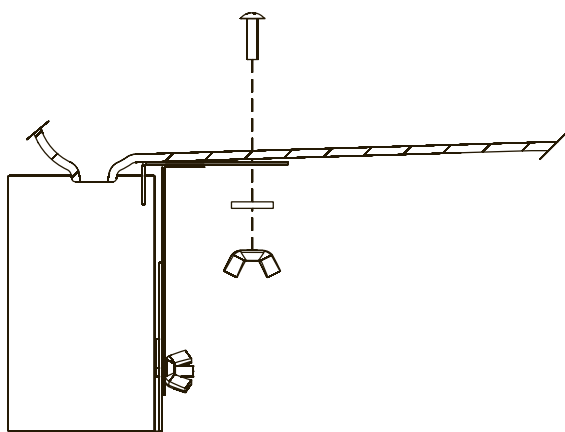


FIGURE 5

7

Continue assembly as directed by the Owner's Manual packaged with the grill head.

BROILMASTER®

Is a registered trademark of
Empire Comfort Systems, Inc.
918 Freeburg Ave.
Belleville, Illinois 62220
Phone: 1-800-851-3153
FAX: 1-800-443-8648

VISIT OUR WEB SITE AT www.broilmaster.com