

This Owner's Manual is provided and hosted by [Appliance Factory Parts](#).



Broilmaster FKTAU Owner's Manual

[Shop genuine replacement parts for Broilmaster
FKTAU](#)



[Find Your Broilmaster Grill Parts - Select From 310 Models](#)

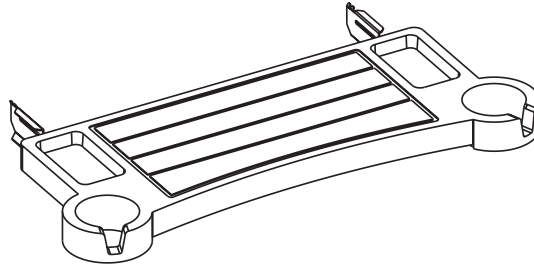
----- Manual continues below -----



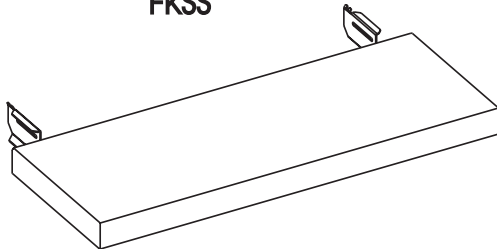
BROILMASTER[®] **PREMIUM GAS GRILLS**

FRONT SHELF KIT OWNER'S MANUAL

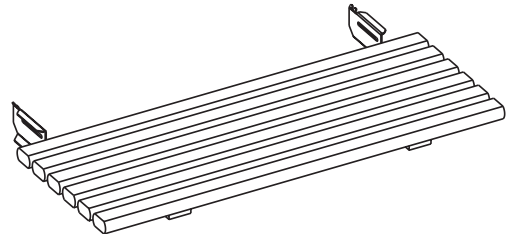
FKCHAR AND FKTAU



FKSS



FKWOOD



RETAIN OWNER'S MANUAL FOR FUTURE REFERENCE.
B100638-0-1102

CONGRATULATIONS!

You have chosen the finest accessory for your outdoor cooking pleasure. Please take time to read this entire manual before installing your premium Broilmaster® Front Shelf Kit.

IMPORTANT INFORMATION

IMPORTANT: THIS MANUAL SHOULD BE READ THOROUGHLY BY THE PERSON INSTALLING THE SHELF KIT AND ALL PERSONS WHO WILL USE AND MAINTAIN THE SHELF KIT. THE INSTALLER SHOULD BE SURE THE MANUAL IS LEFT IN THE POSSESSION OF THE USER. THE USER SHOULD RETAIN THIS MANUAL FOR FUTURE REFERENCE WHEN USING OR CLEANING THE SHELF KIT AND TO PROPERLY IDENTIFY ANY REPAIR PARTS THAT MAY BE REQUIRED.

Before You Begin

This manual includes an illustration for each of the five shelf kits available for your grill. Locate the illustration that depicts the shelf kit you have and then carefully follow all instructions pertaining to your kit.

Each step of the installation is illustrated. In each illustration parts are identified with "Index" numbers. Index numbers appear in parenthesis after a part name is mentioned for the first time in the instructions and are labeled on the illustrations. You can reference each part by its key number on the Parts List if you need help in identifying a part.

Compare the parts found in the shipping container to the parts list. If any parts are missing contact your Broilmaster® dealer before beginning assembly.

CAUTION: PARTS MAY HAVE SHARP EDGES. WEAR LEATHER WORK GLOVES AND HANDLE PARTS CAREFULLY DURING THE UNPACKING, ASSEMBLY AND THE INSTALLATION.

Tools Required

These tools are required for the assembly of your shelf kit:

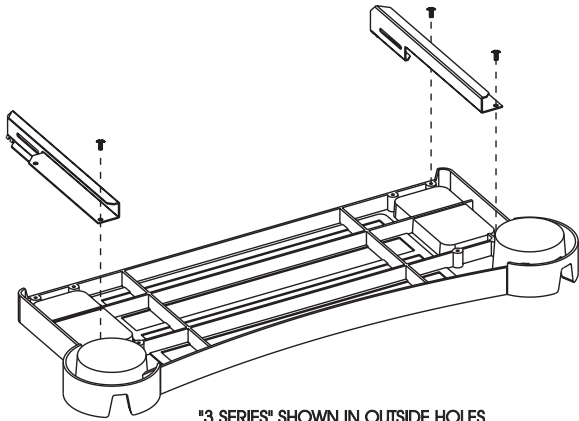
- Phillips screwdriver
- Socket set or nut drivers

FRONT SHELF INSTALLATION

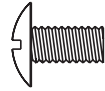
Front Shelf

Install the brackets using three of the four mount screws provided as shown by the following figures. Note: The remaining screw is left out to allow the bracket to pivot during installation.

FKCHAR AND FKTAU



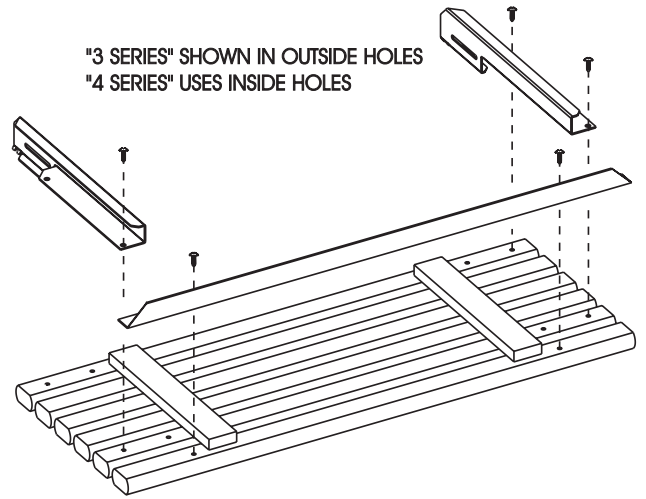
"3 SERIES" SHOWN IN OUTSIDE HOLES
"4 SERIES" USES INSIDE HOLES



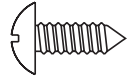
B100130 SCREW #10-24 X 3/8 PHILLIPS TRUSS HEAD STAINLESS

FIGURE 1

FKWOOD

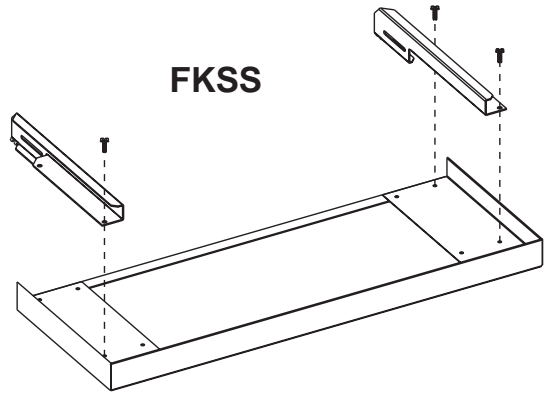


"3 SERIES" SHOWN IN OUTSIDE HOLES
"4 SERIES" USES INSIDE HOLES

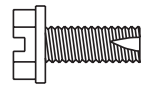


B073979 SCREW #8 X 1/2 PHILLIPS TRUSS HEAD TYP A SMS STAINLESS

FKSS

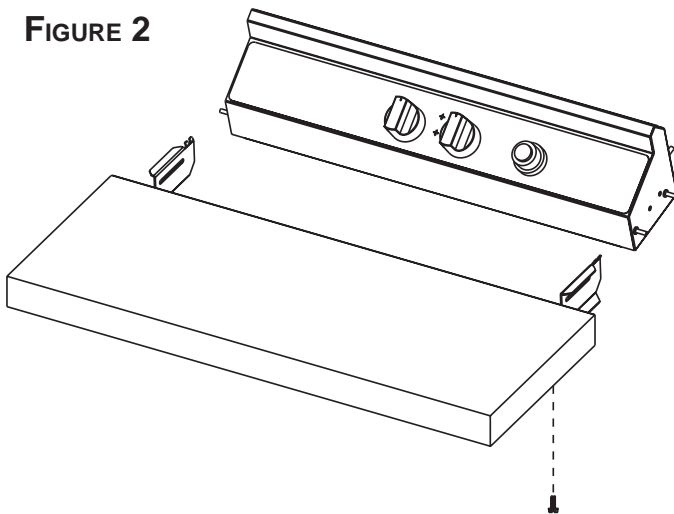


"3 SERIES" SHOWN IN OUTSIDE HOLES
"4 SERIES" USES INSIDE HOLES



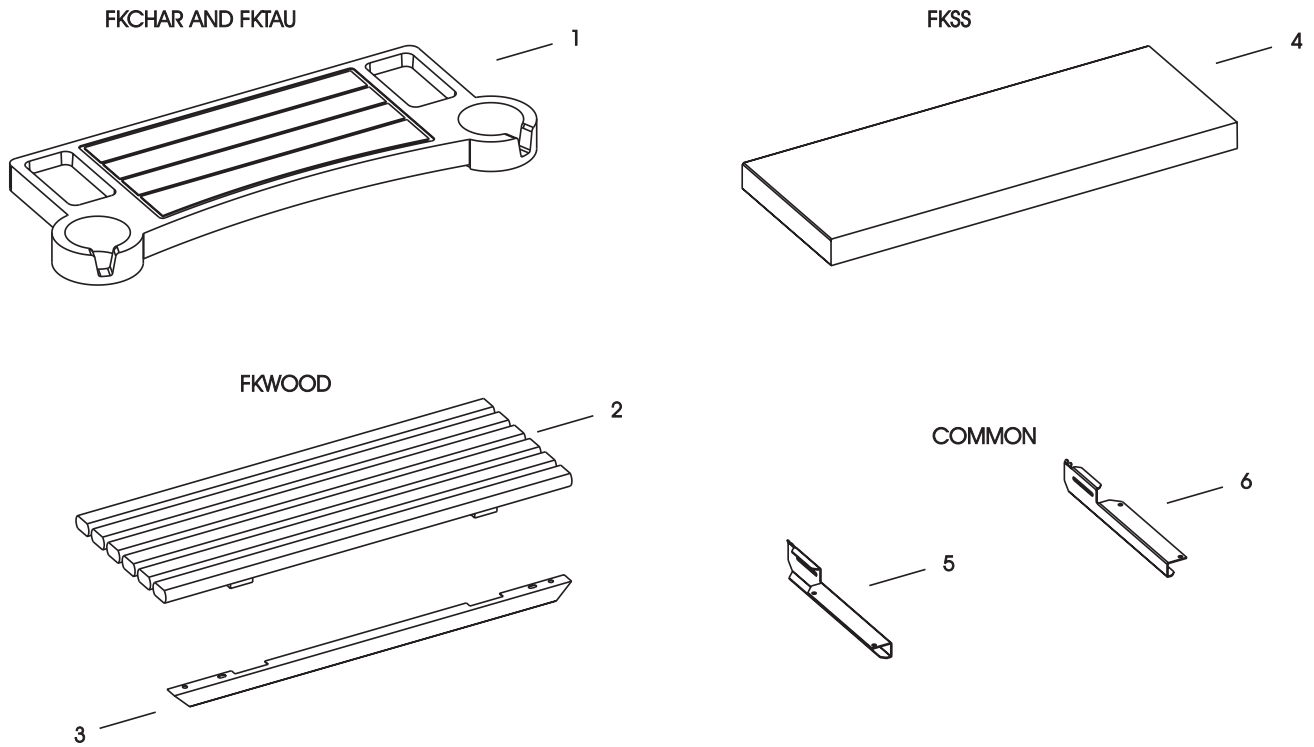
B071494 SCREW #10-32 X 1/2 TYPE 23 HWH ZINC
NOTE: 5/16" NUT DRIVER REQUIRED

FIGURE 2



Insert the front control panel pin through the slots in the bracket. Install the remaining bracket screw at this time.

PARTS DIAGRAM & PARTS LIST - FRONT SHELF



Index No.	Part No.	Description	Index No.	Part No.	Description
FKCHAR AND FKTAU 1 B073261 FRONT SHELF (FKCHAR) 1 B073263 FRONT SHELF (FKTAU) 5 B100034 LEFT FRONT BRACKET 6 B100035 RIGHT FRONT BRACKET B100020 HARDWARE PACKAGE			FKSS 4 B076726 FRONT SHELF 5 B100034 LEFT FRONT BRACKET 6 B100035 RIGHT FRONT BRACKET B100018 HARDWARE PACKAGE		
FKWOOD 2 B048423 FRONT SHELF 3 B063070 SHELF SKIRT 5 B100034 LEFT FRONT BRACKET 6 B100035 RIGHT FRONT BRACKET B100022 HARDWARE PACKAGE					

BROILMASTER®

A Division of Empire Comfort Systems, Inc.
 918 Freeburg Ave.
 Belleville, Illinois 62220
 Phone: 1-800-851-3153
 FAX: 1-800-443-8648

VISIT OUR WEB SITE AT www.broilmaster.com

RETAIN OWNER'S MANUAL FOR FUTURE REFERENCE.