

This Owner's Manual is provided and hosted by [Appliance Factory Parts](#).



Broilmaster SKSS Owner's Manual

[Shop genuine replacement parts for Broilmaster SKSS](#)



[Find Your Broilmaster Grill Parts - Select From 310 Models](#)

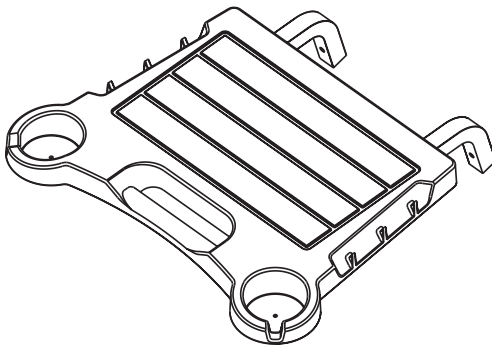
----- Manual continues below -----



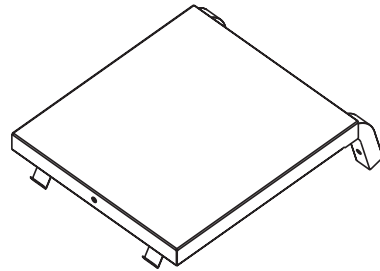
BROILMASTER[®] **PREMIUM GAS GRILLS**

STATIONARY SIDE SHELF KIT **OWNER'S MANUAL**

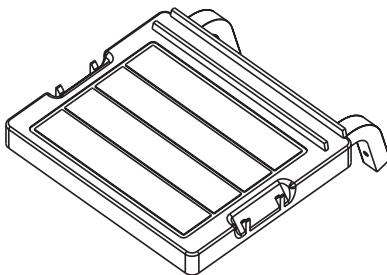
SKGRAY



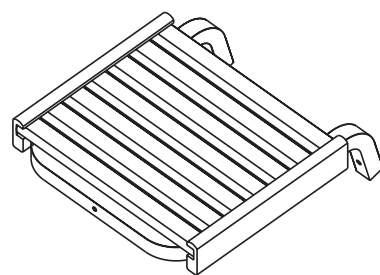
SKSS



SKCHAR AND SKTAU



SKWOOD



RETAIN OWNER'S MANUAL FOR FUTURE REFERENCE.
B100623-0-1102

IMPORTANT INFORMATION

CONGRATULATIONS!

You have chosen the finest accessory for your outdoor cooking pleasure.

Please take time to read this entire manual before installing your premium Broilmaster® Shelf Kit.

Pull Handle	3
Side Shelf Installation - SKCHAR, SKTAU	4
Side Shelf Installation - SKSS	5
Side Shelf Installation - SKWOOD	6
Side Shelf Installation - SKGRAY	7
Parts Diagram & Parts List - Side Shelf	8

IMPORTANT: THIS MANUAL SHOULD BE READ THOROUGHLY BY THE PERSON INSTALLING THE SHELF KIT AND ALL PERSONS WHO WILL USE AND MAINTAIN THE SHELF KIT. THE INSTALLER SHOULD BE SURE THE MANUAL IS LEFT IN THE POSSESSION OF THE USER. THE USER SHOULD RETAIN THIS MANUAL FOR FUTURE REFERENCE WHEN USING OR CLEANING THE SHELF KIT AND TO PROPERLY IDENTIFY ANY REPAIR PARTS THAT MAY BE REQUIRED.

Before You Begin

This manual includes an illustration for each of the five shelf kits available for your grill. Locate the illustration that depicts the shelf kit you have and then carefully follow all instructions pertaining to your kit.

Each step of the installation is illustrated. In each illustration parts are identified with "Index" numbers. Index numbers appear in parenthesis after a part name is mentioned for the first time in the instructions and are labeled on the illustrations. You can reference each part by its key number on the Parts List if you need help in identifying a part.

Compare the parts found in the shipping container to the parts list. If any parts are missing contact your Broilmaster® dealer before beginning assembly.

CAUTION: PARTS MAY HAVE SHARP EDGES. WEAR LEATHER WORK GLOVES AND HANDLE PARTS CAREFULLY DURING THE UNPACKING, ASSEMBLY AND THE INSTALLATION.

Tools Required

These tools are required for the assembly of your shelf kit:

- Phillips screwdriver
- Socket set or nut drivers

Pull Handle

Pull Handle

Place two bolts 1/4-20 x 1-1/2 into holes in pull handle (10) and through holes on left or right side of grill bottom.

Fasten each bolt with a washer, lock washer, and nut. FIGURE 1.

Repeat procedure for the right side.

FIGURE 1

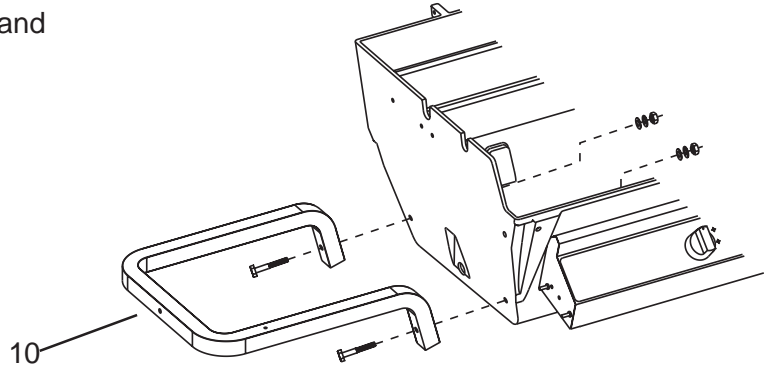
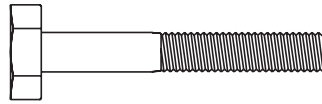
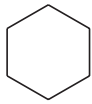
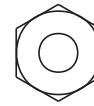


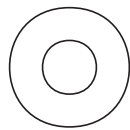
FIGURE 2



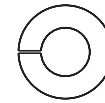
B076330 BOLT 1/4-20 X 1 1/2 HEX HEAD SS



B076331 1/4-20 HEX NUT SS



B076332 9/32 ID X 5/8 OD FLAT WASHER SS



B076333 1/4 ID X 5/8 OD LOCK WASHER SS

SIDE SHELF INSTALLATION - SKCHAR, SKTAU

Solid Surface Side Shelf

Place solid surface side shelf (5) onto the grill pull handle. Fasten shelf bracket (10) to the bottom of the side shelf with two #10-24 x 1" screws. FIGURE 2.

FIGURE 2

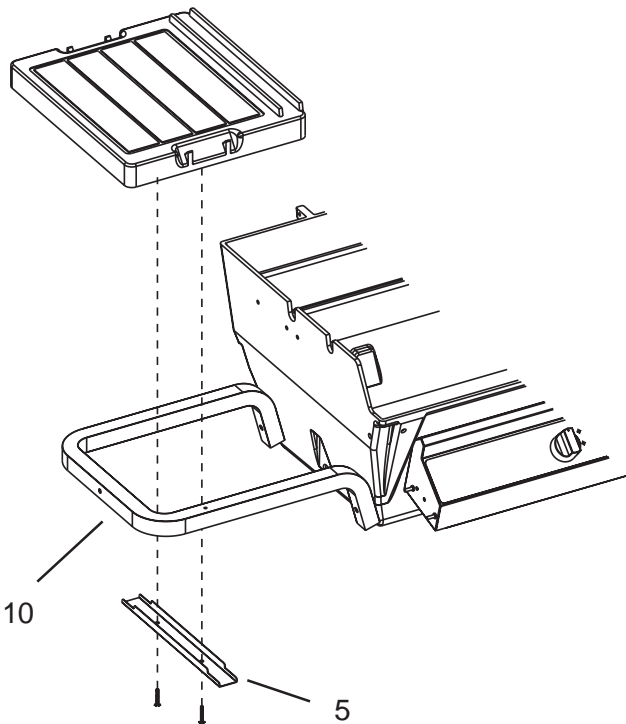
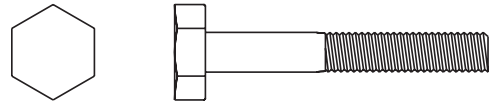
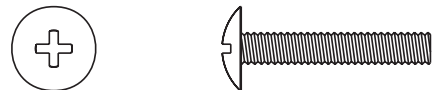


FIGURE 3



B076330 BOLT 1/4-20 X 1 1/2 HEX HEAD SS



B073978 SCREW #10-24 X 1 PH TRUSS HEAD SS



B076332 9/32 ID X 5/8 OD FLAT WASHER SS



B076331 1/4-20 HEX NUT SS



B076333 1/4 ID X 5/8 OD LOCK WASHER SS

SIDE SHELF INSTALLATION - SKSS

Stainless Steel Side Shelf

Slide the tool hook bar into the side shelf aligning the holes in the tool hook bar (2) and the side shelf (10). Slide each stainless steel side shelf (1) onto the grill pull handle. Secure with one 1/4-20 screw. FIGURE 4.

FIGURE 4

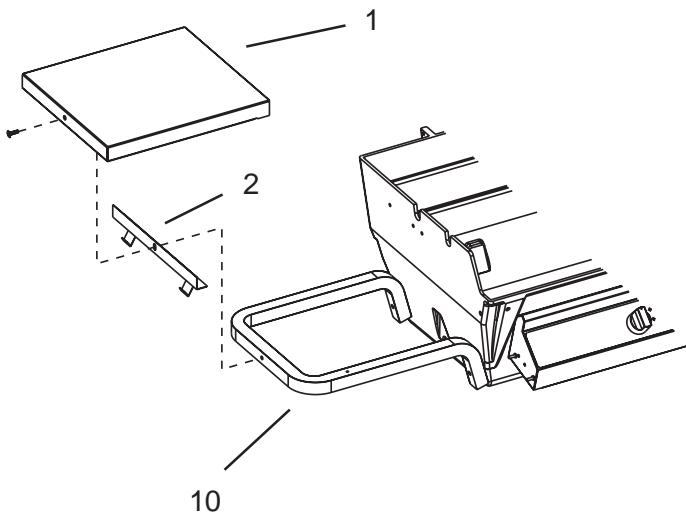
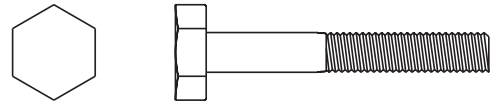
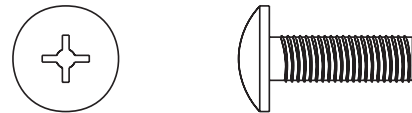


FIGURE 5



B076330 BOLT 1/4-20 X 1 1/2 HEX HEAD SS



B072217 SCREW 1/4-20 X 3/4 PH TRUSS HEAD SS



B076332 9/32 ID X 5/8 OD FLAT WASHER SS



B076331 1/4-20 HEX NUT SS



B076333 1/4 ID X 5/8 OD LOCK WASHER SS

SIDE SHELF INSTALLATION - SKWOOD

Wood Side Shelf

Insert screw through spacer and into hole on top of pull handle (10). Tighten.

Position wood side shelf (3) onto pull handle (10) with spacer inserted between two wooden shelf slats. FIGURE 6.

FIGURE 6

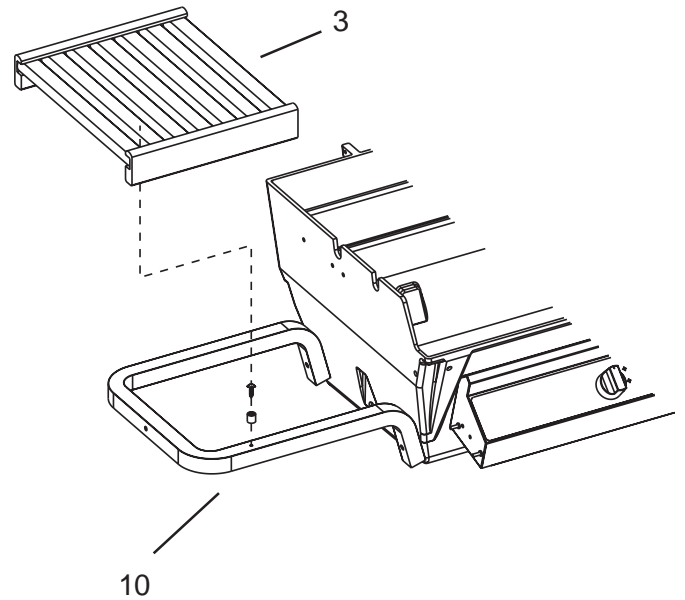
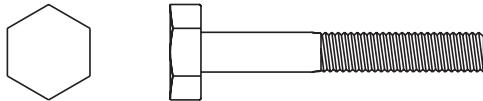


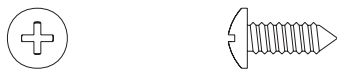
FIGURE 7



B076330 BOLT 1/4-20 X 1 1/2 HEX HEAD SS



B076331 1/4-20 HEX NUT SS



B100140 SCREW #8 X 1/2 PH TRUSS HEAD TYPE A SS



B076333 1/4 ID X 5/8 OD LOCK WASHER SS



B076332 9/32 ID X 5/8 OD FLAT WASHER SS



B662325 HANDLE SPACER

SIDE SHELF INSTALLATION - SKGRAY

Pull Handle

Place two bolts 1/4-20 x 1-1/2 into holes in pull handle (10) with SKGARY attached (6) and through holes on left or right side of grill bottom.

FIGURE 8

Fasten each bolt with a washer, lock washer, and nut. FIGURE 8.

Repeat procedure for the other side.

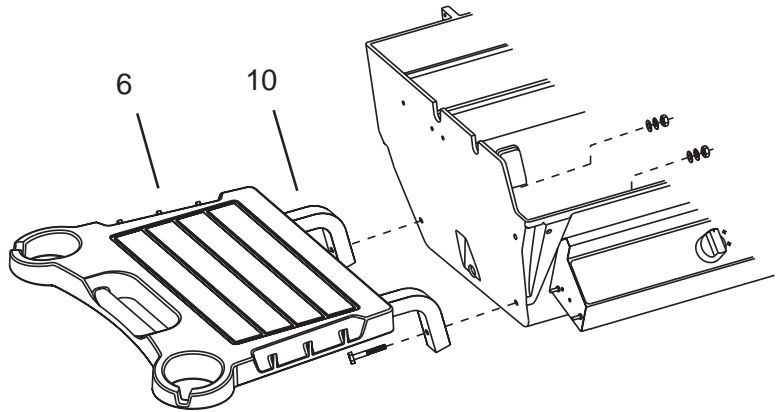
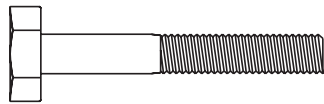
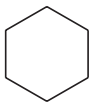


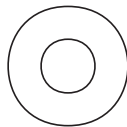
FIGURE 9



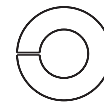
B076330 BOLT 1/4-20 X 1 1/2 HEX HEAD SS



B076331 1/4-20 HEX NUT SS



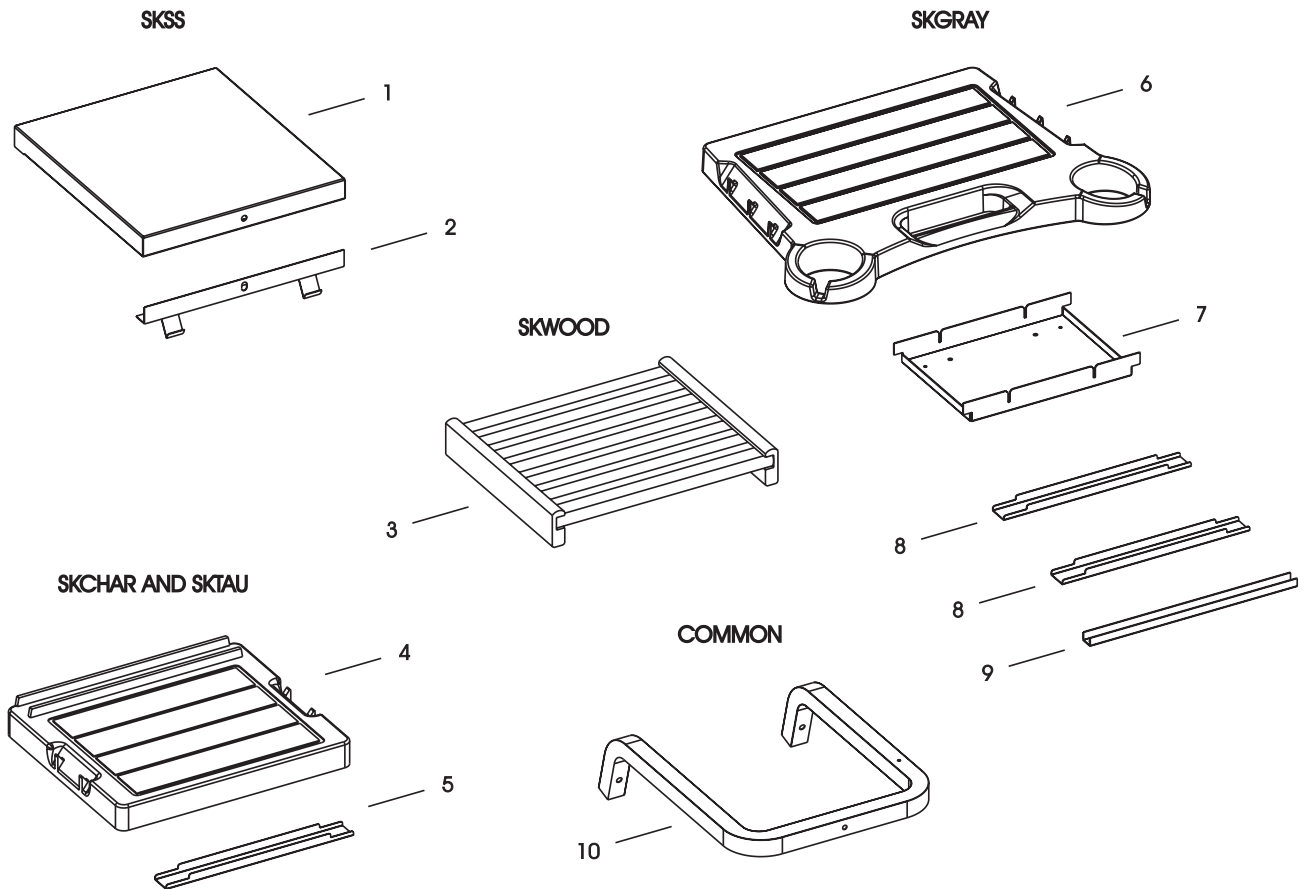
B076332 9/32 ID X 5/8 OD FLAT WASHER SS



B076333 1/4 ID X 5/8 OD LOCK WASHER SS

PARTS DIAGRAM & PARTS LIST - SIDE SHELF

All repair part orders should be placed through your local Broilmaster® dealer. To locate a dealer in your area, contact Broilmaster Customer Service at 800-851-3153 • www.broilmaster.com. To ensure prompt and accurate service, please provide the following information when placing a repair part order: Model Number of your grill, Part Name, Part Number, and Quantity of parts needed.



Index No.	Part No.	Description	Index No.	Part No.	Description
1	SKSS B076727	SIDE SHELF	4	SKCHAR AND SKTAU B073262	SIDE SHELF (SKCHAR)
2	B073971	TOOL HOOK	4	B073264	SIDE SHELF (SKTAU)
10	B073100	HANDLE SHELF BRACKET	5	B072017	SHELF BRACKET
	B100002	HARDWARE PACKAGE	10	B073100	HANDLE SHELF BRACKET
				B100006	HARDWARE PACKAGE
3	SKWOOD B048424	SIDE SHELF	6	SKGRAY B100561	SIDE SHELF
10	B073100	HANDLE SHELF BRACKET	7	B100768	SUPPORT PLATE
	B100010	HARDWARE PACKAGE	8	B100769	SHELF BRACKET
			9	B100562	SHELF STIFFNER
			10	B073100	HANDLE SHELF BRACKET
				B100553	HARDWARE PACKAGE

BROILMASTER®

A Division of Empire Comfort Systems, Inc.
 918 Freeburg Ave. • Belleville, Illinois 62220
 Phone: 1-800-851-3153 • FAX: 1-800-443-8648
 VISIT OUR WEB SITE AT www.broilmaster.com

RETAIN OWNER'S MANUAL FOR FUTURE REFERENCE.