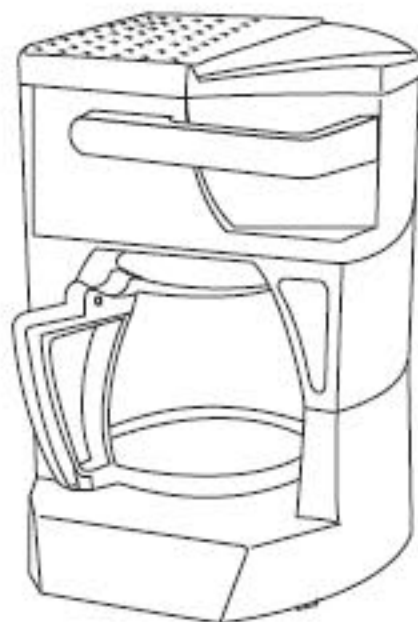




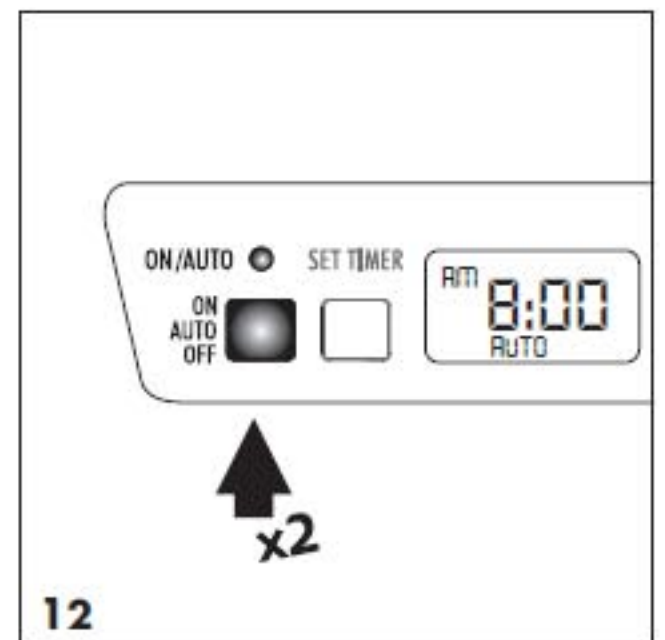
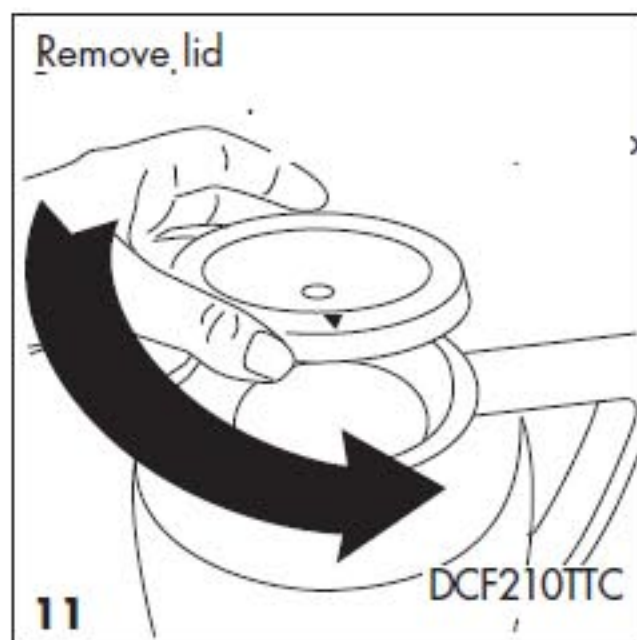
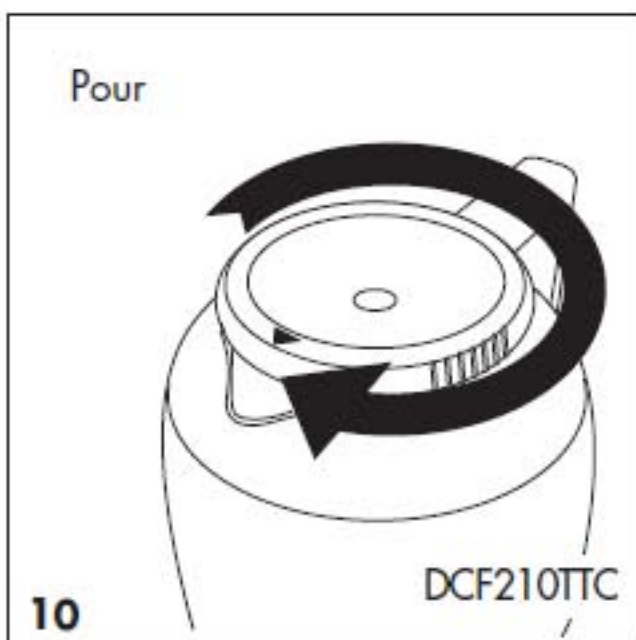
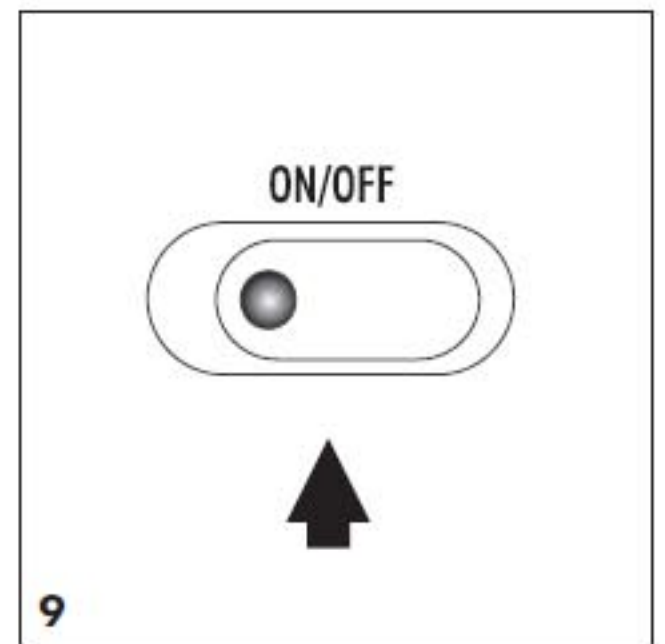
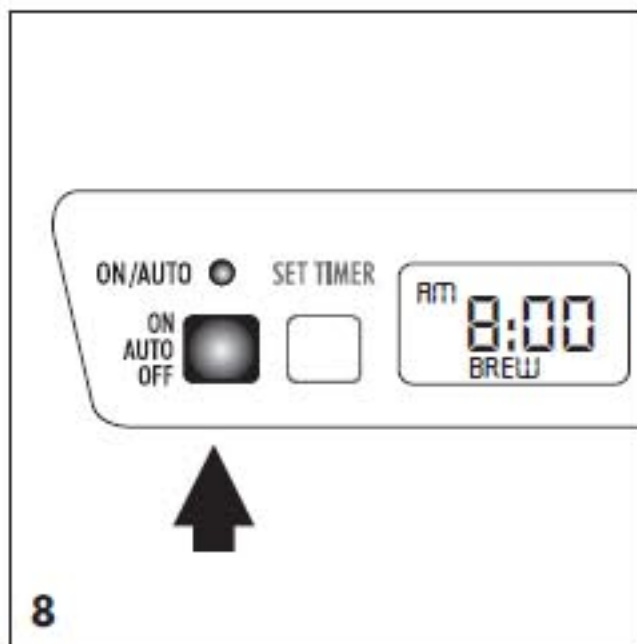
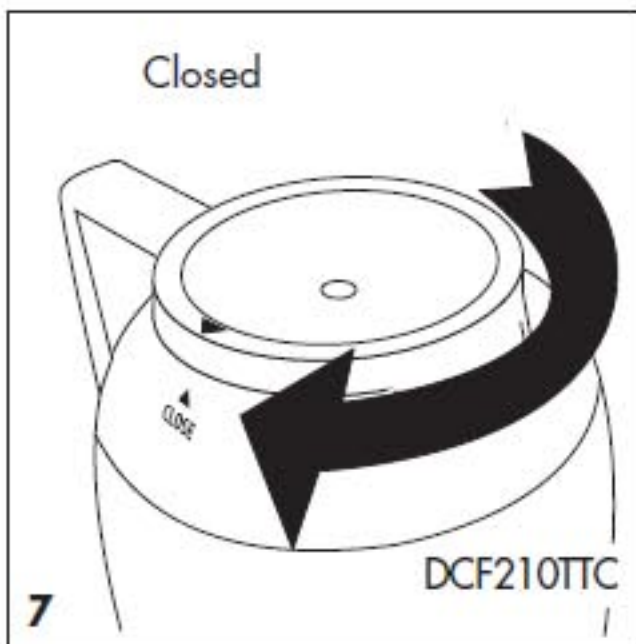
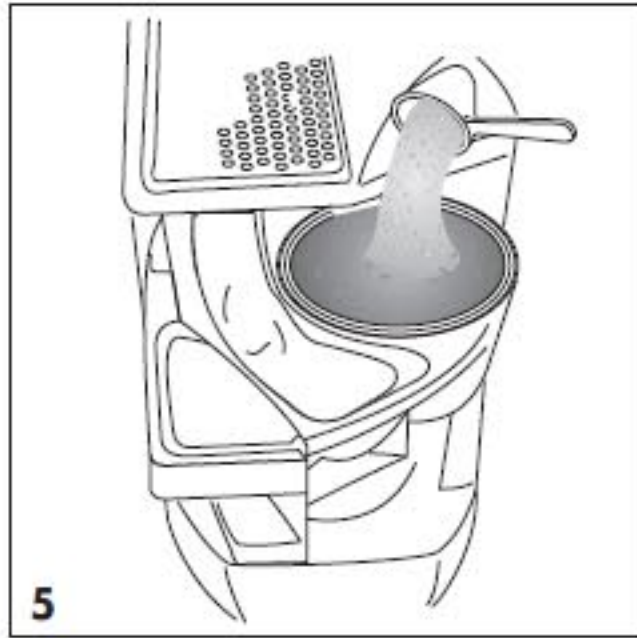
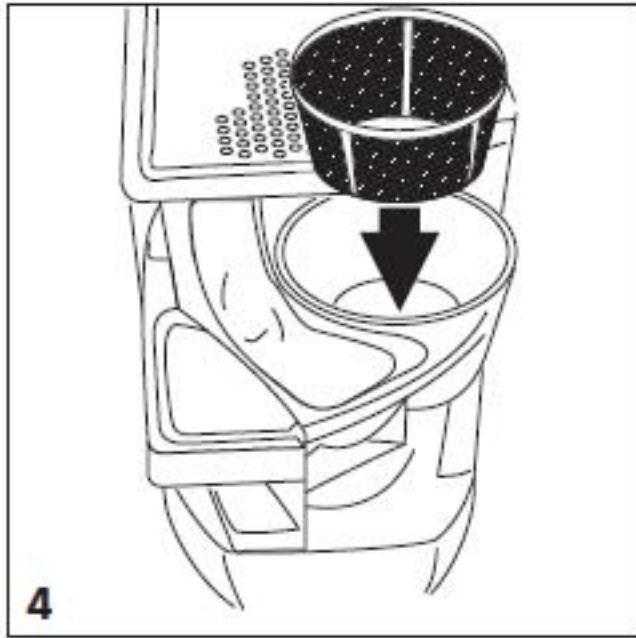
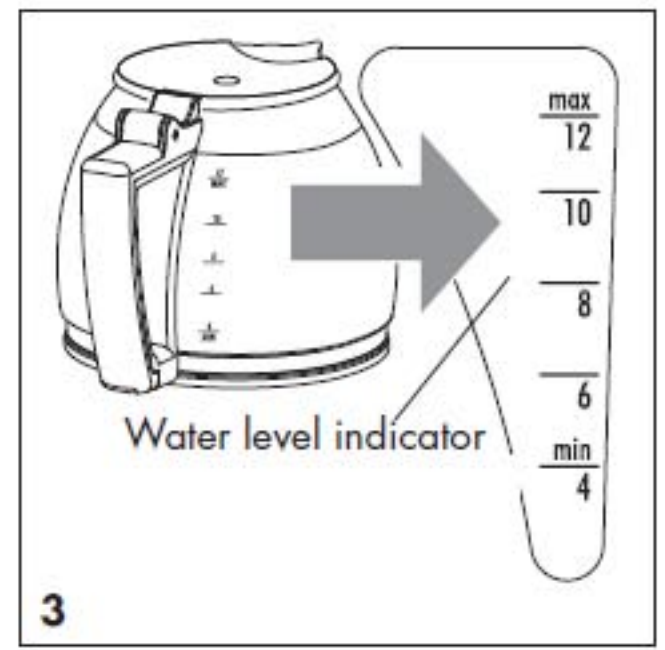
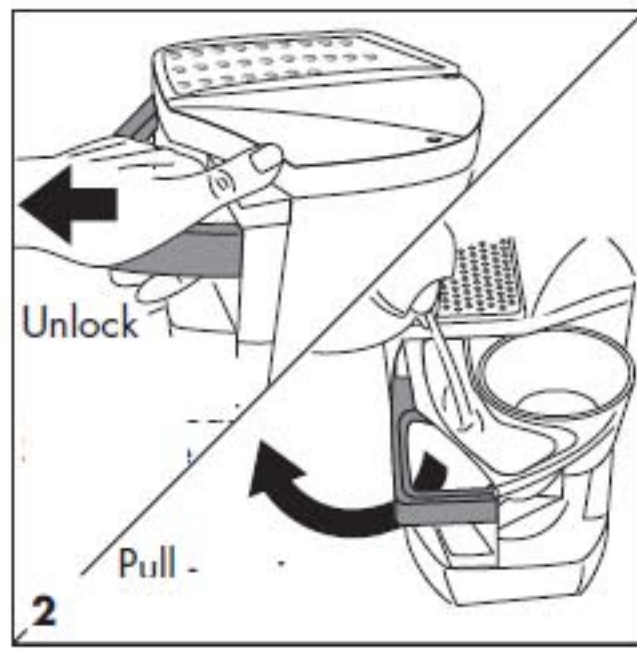
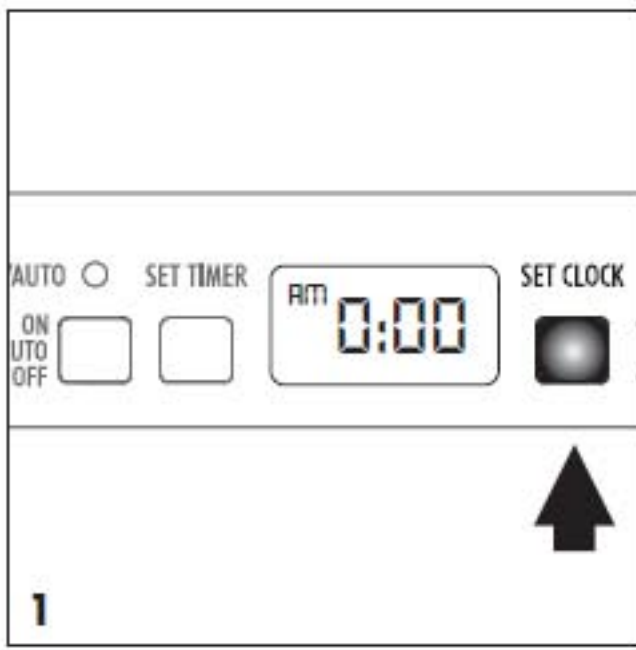
**IMPORTANT INSTRUCTIONS
SAVE THESE INSTRUCTIONS**

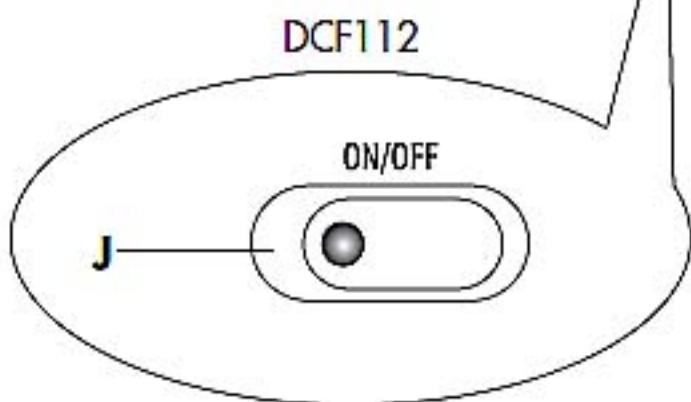
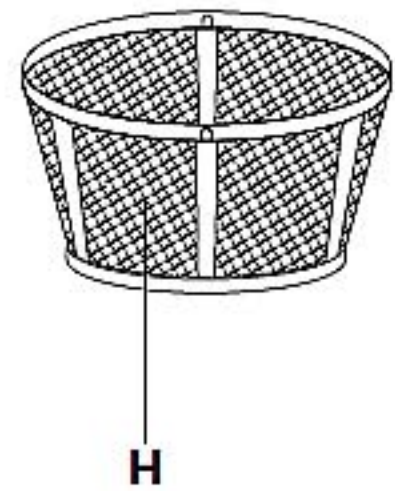
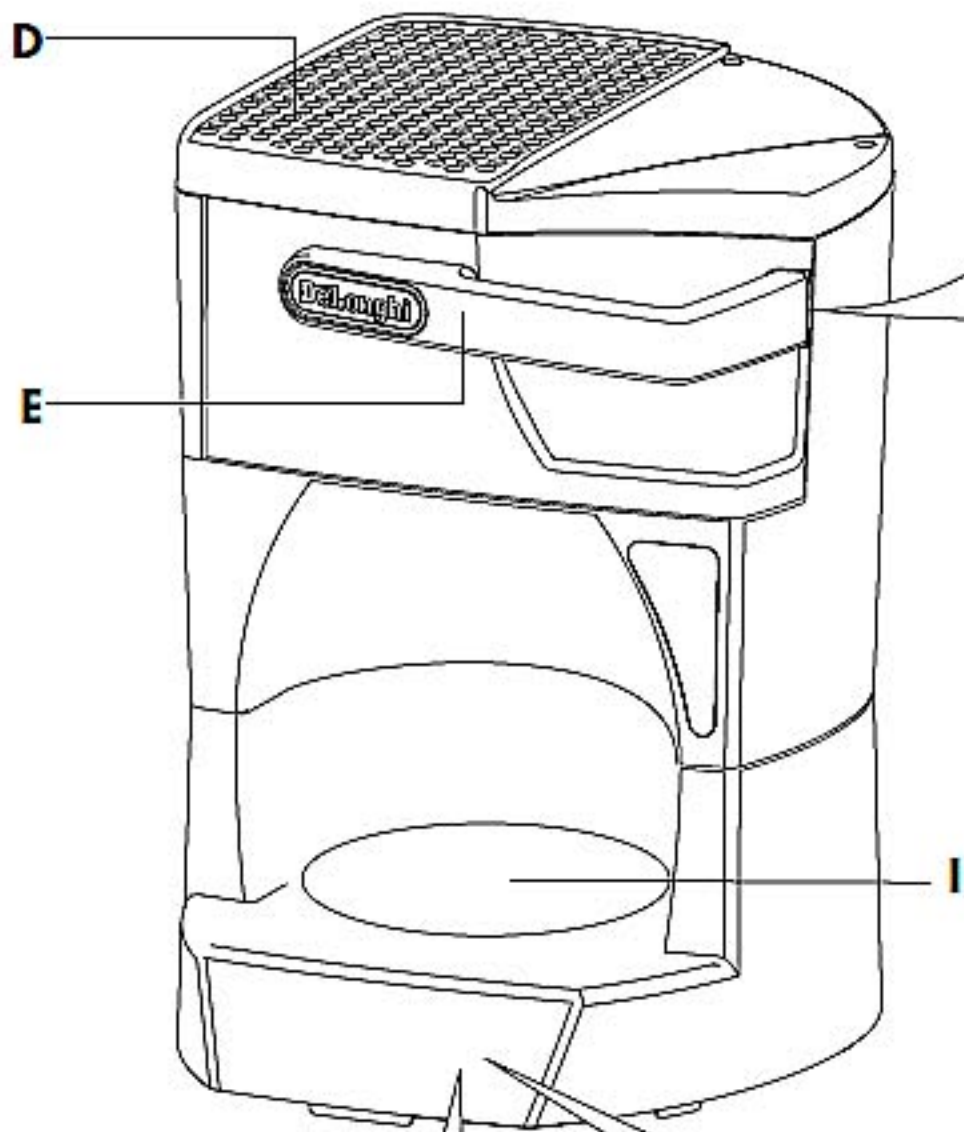
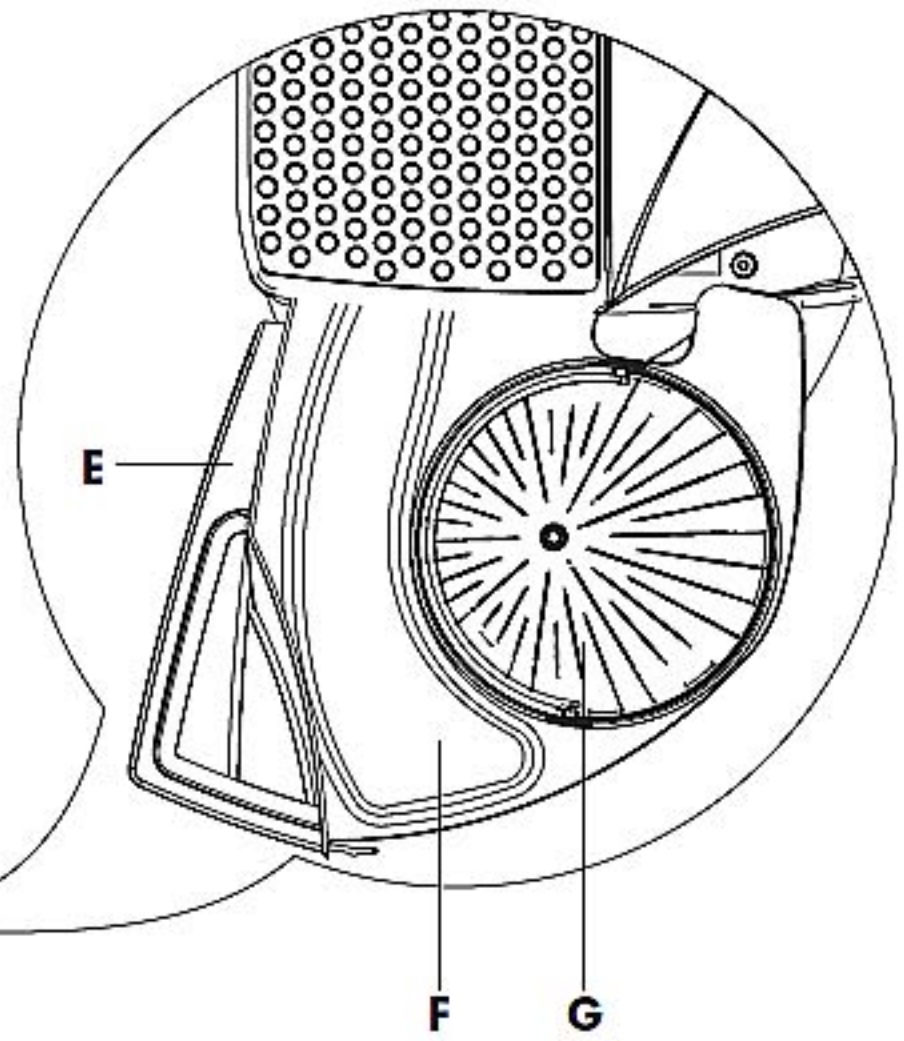
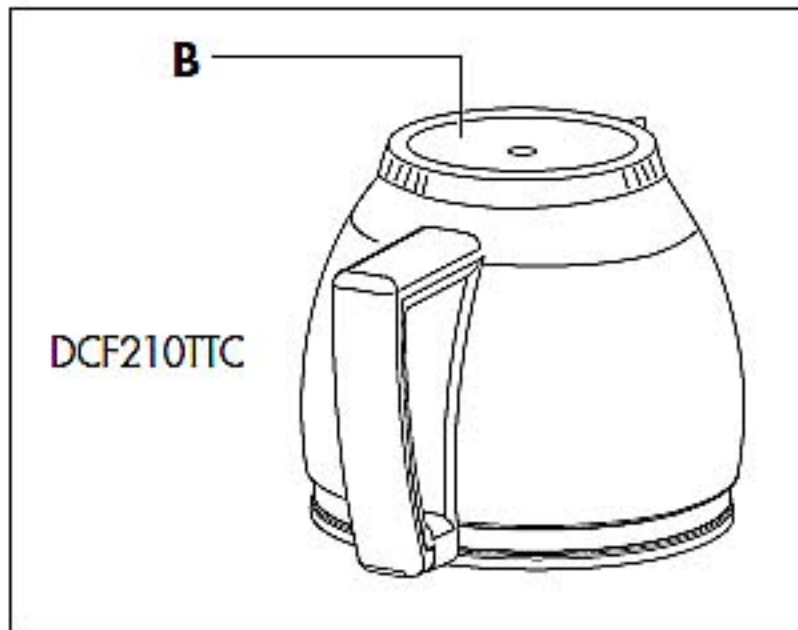
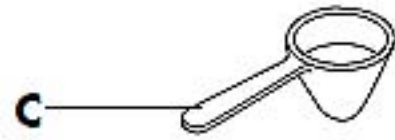
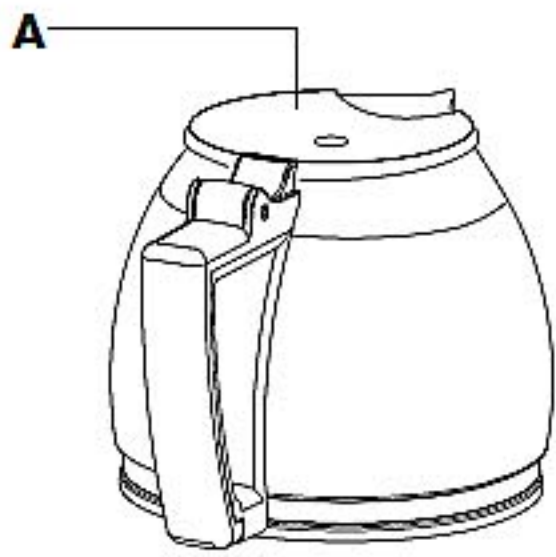


COFFEE MAKER TYPE DCF112/DCF112T/DCF212T/DCF210TC

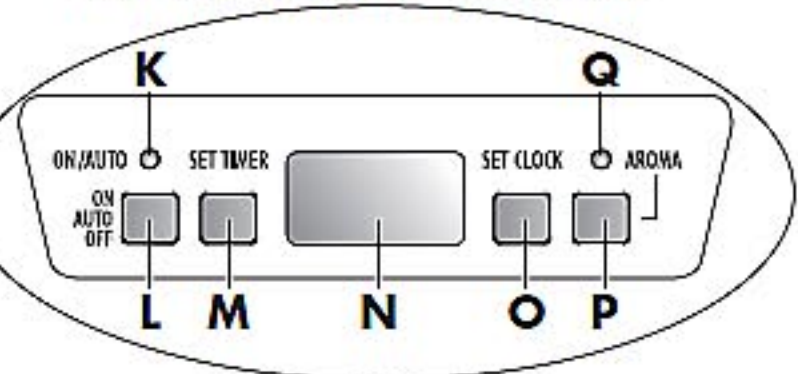
Register this product on-line and receive a free trial issue of Cook's Illustrated. Visit www.delonghiregistration.com.
Visit www.delonghi.com for a list of service centers near you. (U.S. and Canada only)

**ELECTRONIC CHARACTERISTICS: CARACTÉRISTIQUES ÉLECTRIQUES: CARACTERISTICAS ELECTRICAS:
CARATTERISTICHE ELETTRICHE: 120V~60HZ 900W**





DCF112T • DCF212T • DCF210TTC



IMPORTANT SAFEGUARDS

When using any electrical appliance, some basic safety precautions should be observed. Specifically:

- Read all instructions carefully.
- Make sure the voltage of your electrical system corresponds to the voltage shown on the bottom of the machine.
- Do not touch hot surfaces. Use handles or knobs.
- To protect against fire, electrical shock and personal injury, do not immerse cord, plug, or appliance in water or other liquid.
- Keep the appliance out of the reach of children and do not leave appliance unattended while in operation.
- Disconnect the plug from the power outlet when the machine is not in use and before cleaning.
- Do not operate the machine with a damaged cord or plug, after faulty operation, or when it has been damaged in any way. Contact the nearest De'Longhi service facility for examination, repair or adjustment.
- The use of accessories not recommended by the manufacturer may result in fire, electrical shock, or personal injury.
- Do not use the machine outdoors.
- Make sure the power cord does not hang over the edge of the table or counter-top to avoid getting accidentally caught or entangled.
- Do not place the machine or its electrical parts on or near electric stoves, cooking surfaces, or gas burners.
- To disconnect the appliance, turn appliance "OFF", then remove plug from wall outlet.
- Do not use this machine for any purpose other than its intended use. This appliance is for household use only. The manufacturer declines all responsibility for any damage caused by improper, incorrect, or irresponsible use.
- For machines with glass carafe:
 - A. The carafe is an accessory to be used exclusively with this appliance. Never use it on a cooking surface.
 - B. Do not set the hot container on a damp or cold surface.
 - C. Do not use the carafe if it is cracked or the handle is not completely sturdy.
 - D. Do not use abrasive detergents or sponges to clean.

WARNING: To prevent the risk of fire or electric shock, never remove the upper part of the appliance. There are no elements inside that the user needs to access. Any necessary repairs must be made by an authorized service center.

SAVE THESE INSTRUCTIONS

THIS APPLIANCE IS FOR HOUSEHOLD USE ONLY

SHORT CORD INSTRUCTIONS

A short power cord is provided to reduce the risk resulting from entanglement or tripping over a longer cord. Longer detachable power supply cords are available and may be used if care is exercised in their use. If a longer detachable power cord or extension cord is used (1) the marked electrical rating of the extension cord should be at least as great as the electrical rating of the appliance, and (2) the longer cord should be arranged so that it will not drape over the countertop or table top where it can be pulled on by children or tripped over unintentionally. The electrical rating of the appliance is listed on the bottom of the unit. If the appliance is of the grounded type, the extension cord should be a grounded type 3 wire cord. This appliance has a polarized plug. One blade is wider than the other. To reduce the risk of electrical shock this plug will fit in a polarized plug only one way. If the plug does not fit, contact a qualified electrician. Do not attempt to modify the plug in any way.

DESCRIPTION

(see illustration on page 3)

The terminology below will be used throughout the instructions.

- A. Glass carafe (mod. DCF112 / DCF112T / DCF212T)
- B. Thermal carafe (mod. DCF210TTC)
- C. Measuring spoon
- D. Cup storage tray
- E. Opening handle
- F. Water compartment
- G. Filter holder for drip coffee
- H. Permanent filter (available in select models only)
- I. Non-stick plate (warming plate, for glass carafe only)
- J. ON/OFF switch with indicator light
- K. ON/AUTO indicator light
- L. ON/AUTO/OFF button
- M. SET TIMER button
- N. Display
- O. SET CLOCK button
- P. AROMA button
- Q. AROMA indicator light

SAFETY PRECAUTIONS

- This appliance is designed to make coffee: be careful not to burn yourself with sprays of hot water or steam, or by using the machine improperly.
- This appliance is designed for household use only. Any other use is considered improper and therefore dangerous.
- The manufacturer may not be held liable for any damage caused by improper, incorrect, or unreasonable use.
- When using the appliance, do not touch the hot surfaces. Use knobs or handles.
- Never touch the appliance with wet or damp hands or feet.
- Do not allow children or unfit persons to use the appliance unsupervised.
- Never allow children to play with the appliance.
- In the event of failure or malfunction, switch off the appliance and do not tamper with it in any way. If the appliance requires repair, contact an authorized De'Longhi service center and ask for original spare parts to be used. Failure to observe these safety precautions could jeopardize the safety of the appliance.

INSTALLATION

- After removing the packaging, make sure the product is complete and in perfect condition. If in doubt, do not use the appliance and contact qualified De'Longhi personnel only.
- The packing elements (plastic bags, Styrofoam, etc.) should be kept out of the reach of children, as they are safety hazards.
- Place the appliance on a firm level surface far from water faucets, sinks, and heat sources.
- When positioning the appliance on the counter, make sure to leave a space of at least 2 in. (5 cm) between the appliance and the walls or objects beside and behind it, and at least 8 in. (20 cm) above it.
- Never install the appliance in a room where the temperature may reach 32°F (0°C) or lower (the appliance may be damaged if the water freezes).
- Check that the voltage of the electrical mains corresponds to the voltage shown on the appliance rating plate.

Connect the appliance only to an efficiently grounded outlet with a minimum rating of 10A only. The manufacturer may not be considered liable for possible incidents caused by failure to adequately ground the outlet.

- If the power socket does not match the plug on the appliance, have the socket replaced with a suitable type by a qualified electrician.
- The power cord on this appliance must not be replaced by the user, as this operation requires the use of special tools. If the cable is damaged or needs to be replaced, contact an authorized De'Longhi service center only in order to avoid all risks.

SETTING THE CLOCK

Plug the appliance in; when the coffee machine is connected to the outlet for the first time, "AM 0:00" appears on the display. To set the time, press the SET CLOCK button (fig. 1) and keep it pressed until the correct hour is displayed: then release the button. The time can be set at any moment.

HOW TO MAKE DRIP COFFEE

IMPORTANT: When using the appliance for the first time, all the accessories and the internal circuits must be washed making at least two carafes using only water, without any ground coffee.

- Open the frontal door by pulling the handle and, by using the provided carafe, pour fresh water into the water compartment up to the level corresponding to the number of cups you want to make (fig. 2): check the water level viewer and it is suggested to use the provided carafe as the measure, as the maximum volume of the carafe corresponds to those of the water tank (fig. 3).
- Position the permanent filter (if provided) or paper filter in the filter holder (fig. 4).
- Place the ground coffee in the filter using the measuring spoon supplied and level evenly (fig. 5). Please refer to chart 1 for the recommended quantities.
Use good quality medium grind coffee for drip coffee machines.

Chart 1: Recommended Quantities

N° CUPS	N° MEASURING SPOONS*
12	12
10	10
8	8
6	6
4	4

*1 level measuring spoon = a tablespoon (0.17 oz. /5 gr.).

Use more or less coffee to suit your taste.

The Specialty Coffee Association of America recommends adding 2 tablespoons of coffee per 6 ounces of water. So, if you want to follow this standard, please refer to chart 2.

Please note that coffee brewed following SCAA's recommendation is exceptionally strong.

Chart 2: Quantities Recommended by the Specialty Coffee Association of America

N° CUPS	N° MEASURING SPOONS*
12	-
10	15
8	13
6	10
4	8

*1 level measuring spoon = a tablespoon (0.17 oz. /5 gr.).

The quantities given in the tables are indicative only and must be adjusted according to personal taste and the quality of the coffee. **To avoid coffee overflow, never exceed the maximum quantity of 15 measuring spoons.**

The quality of coffee you use can affect the taste of your coffee. We suggest trying different brands of coffee to find the one most suitable to your taste.

- **Models with glass carafe:** close the frontal door and place the closed glass carafe on the non stick warming plate (fig. 6).

Models with thermal carafe: Before placing the carafe on the plate, make sure the lid is closed (fig. 7).

- **Models with electronic control panel:** you can enhance the flavor of your coffee by pressing the AROMA button. This feature activates a unique brewing process, slowly releasing water into the filter basket; saturating coffee grounds a little at a time extracting the best flavor and aroma from your coffee. To activate, press the AROMA button; the light above the button will illuminate. Press the button again to turn the selection off. *It is recommended to use the aroma button if not brewing a whole carafe of coffee.*

Press the ON/AUTO/OFF button (fig. 8). The red light indicates that the coffee maker is in operation and the display shows "BREW".

- **Models with single switch:** Press the "ON/OFF" switch (fig. 9). The indicator light on the switch indicates that the coffee maker is in operation.

- The coffee will begin to emerge after a few seconds. It is completely normal for the appliance to release a little steam while the coffee is brewing.
- **In models with glass carafe,** if you leave the appliance switched on after brewing is finished, the non-stick warming plate will keep the coffee at the ideal temperature. The unit automatically shuts off after two hours.
- **Models with thermal carafe:** To pour the coffee, turn the lid to the position shown in (fig. 10). To completely remove the lid from the carafe, turn it to the position shown in (fig. 11). The appliance switches automatically off after brewing cycle.

Important: Removing the carafe before the machine has finished producing the coffee does not interrupt the brewing process, but simply stops the flow of coffee into the carafe. If you want to pour out a little coffee before brewing is completed, do so as quickly as possible to avoid coffee overflow.

PROGRAMMING THE AUTOMATIC START (models with electronic control panel only)

Make sure that the time is set correctly.

To program the time to start coffee preparation:

- Press the SET TIMER button and keep it depressed until you reach the desired switch-on time.
- Then release the SET TIMER button. The time will flash for a few seconds until set: then the display will show the current hour.

ACTIVATING THE TIMER

After you have:

- set the time for switch-on as described in the previous section;
- prepare the machine for making coffee. Press the ON/AUTO/OFF button quickly twice (fig. 12). The ON/AUTO indicator light changes to green indicating the coffee maker is in operation: the display shows AUTO.

CLEANING AND MAINTENANCE

Before carrying out any cleaning operations, switch the appliance off, unplug it from the power outlet, and let it cool down.

1. Do not use solvents or abrasive detergents to clean the appliance. A soft damp cloth is sufficient.
2. Never immerse the coffee maker in water: it is an electrical appliance.

DESCALING

If the water in your area is hard, lime scale deposits may build up over time. These deposits may affect the correct operation of the appliance. It is suggested to descale the appliance after 300 uses.

Descalate the appliance using commercially available descaling products for drip coffee makers. Follow the instructions provided with these products.

1. Dilute the descaler in the carafe, following the directions on the packaging of the descaler.
2. Pour the descaling solution in the water compartment;
3. Put the carafe on the non stick plate;
4. Switch the appliance on and let the equivalent of one cup run through, then switch off the machine.
5. Let the solution work for 15 minutes, then repeat steps 4 and 5.

6. Switch the coffee maker back on and run the solution through until the tank is completely emptied.
7. Rinse by operating the machine with water only for at least three cycles (3 full tanks of water).

The warranty is not valid if the cleaning operation described above is not carried out regularly.

TROUBLE-SHOOTING

Problem	Probable cause	Solution
The coffee takes longer to brew.	The coffee maker needs to be descaled.	Descalate the machine as described in the section DESCALING.
The coffee has an acidic taste.	Insufficient rinsing after descaling.	Rinse the machine as described in the section DESCALING.



This warranty applies to all products with De'Longhi or Kenwood brand names.

Limited Warranty

What does the warranty cover?

We warrant each appliance to be free from defects in material and workmanship. Our obligation under this warranty is limited to repair at our factory or authorized service center of any defective parts or part thereof, other than parts damaged in transit. In the event of a products replacement or return, the unit must be returned transportation prepaid. The repaired or new model will be returned at the company expense.

This warranty shall apply only if the appliance is used in accordance with the factory directions, which accompany it, and on an Alternating current (AC) circuit.

How long does the coverage last?

This warranty runs for one year (1) from the purchase date found on your receipt and applies only to the original purchaser for use.

What is not covered by the warranty?

The warranty does not cover defects or damage of the appliance, which result from repairs or alterations to the appliance outside our factory or authorized service centers, nor shall it apply to any appliance, which has been subject to abuse, misuse, negligence or accidents. Also, consequential and incidental damage resulting from the use of this product or arising out of any breach of contract or breach of this warranty are not recoverable under this warranty. Some states do not allow the exclusion or limitation of incidental or consequential damage, so the above limitation may not apply to you.

How do you get service?

If repairs become necessary, see contact information below:

U.S. Residents:

Please contact our toll free hotline at 1-800-322-3848 or log onto our website at www.delonghi.com.

For all accessories, spare parts or replacement parts, please contact our parts division at 1-800-865-6330.

Residents of Canada: Please contact our toll free hotline at 1-888-335-6644 or log onto our website at www.delonghi.com.

Residents of Mexico: Please refer to the Limited Warranty statement for Mexico.

Please refer to the back page of the manual for De'Longhi addresses.

The above warranty is in lieu of all other express warranties and representations. All implied warranties are limited to the applicable warranty period set forth above. This limitation does not apply if you enter into an extended warranty with De'Longhi. Some states do not allow limitations on how long an implied warranty lasts, so the above exclusions may not apply to you. De'Longhi does not authorize any other person or company to assume for it any liability in connection with the sale or use of its appliance.

How does state law apply?

This warranty gives you specific legal rights, and you may also have other rights, which vary from state to state.