



IMPORTANT SAFEGUARDS

When using electrical appliances, basic safety precautions should always be followed, including the following:

READ THE INSTRUCTIONS BEFORE USING THIS APPLIANCE

Warning: To reduce the risk of fire, electric shock, or injury:

- 1) Do not use outdoors or on wet surfaces.
- 2) Close supervision is necessary when any appliance is used by or near children. Do not allow vacuum to be used as a toy or to run unattended at any time.
- 3) Keep hair, loose clothing, fingers, feet and all parts of body away from openings, rotating agitator and other moving parts. Do not operate cleaner in bare feet or when wearing open toe shoes or sandals.
- 4) Do not pick up anything that is burning or smoking, such as cigarettes, matches or hot ashes.
- 5) Do not use to pick up flammable or combustible liquids such as gasoline or use in areas where they may be present.
- 6) Avoid picking up hard, sharp objects with the cleaner. They may damage the cleaner and the bag.
- 7) Always turn off this appliance before connecting or disconnecting motorized nozzle.
- 8) Do not use without dust bag or filters in place. Change bag frequently when picking up very fine materials such as powder.
- 9) Use extra care when cleaning on stairs.
- 10) Do not put any object into openings. Do not use with any opening blocked; keep free of dust, lint, hair, or anything that may reduce air flow.
- 11) Do not pull or carry by cord, use a cord as a handle, close door on cord or pull cord around sharp edges or corners. Do not run appliance over cord. Keep cord away from heated surfaces.
- 12) Always disconnect cord from electrical outlet before servicing the cleaner.
- 13) Unplug cleaner when not in use. Turn off all controls before unplugging.
- 14) Do not unplug by pulling on cord. To unplug, grasp the plug, not the cord. Never handle plug or appliance with wet hands.
- 15) The use of an extension cord is not recommended.
- 16) Do not use with damaged cord or plug. If appliance is not working as it should, has been dropped, damaged, left outdoors, or dropped into water, take it to a service center.
- 17) Use vacuum cleaner only for its intended use as described in the instructions. Use only attachments recommended.
- 18) To reduce the risk of electric shock, this appliance has a polarized plug (one blade is wider than the other). This plug will fit in a polarized outlet only one way. If the plug does not fit fully in the outlet, reverse the plug. If it still does not fit, contact a qualified electrician to install the proper outlet. Do not change the plug in any way.

SAVE THESE INSTRUCTIONS!

THIS PRODUCT IS FOR HOUSEHOLD USE ONLY

The manufacturer reserves the right to modify the appliance and/or accessories supplied without prior notice.

Dear Customer,

Thank you for the confidence you have placed in our company.

All our products are the result of consolidated experience in the design and production of appliances for household cleaning, and have been subject to meticulous technical tests.

This manual is designed to help you make the most of your appliance and to fully appreciate its superb quality.

We are certain that if you follow our suggestions, this appliance will give you absolute satisfaction and many years of service, while also easing your daily household cleaning tasks.

COMPONENTS DESCRIPTION

- 1) Handgrip
- 2) On/off switch
- 3) Suction power control
(Electronic model only)
- 4) Air exhaust micro-filter hatch cover
- 5) Full-bag indicator
- 6) Dust bag holder hatch cover
- 7) Carpet/floor brush
- 8) Upholstery nozzle
- 9) Crevice tool
- 10) Extension tube
- 11) Accessory for delicate floors (some models only)

SETTING UP FOR USE

Assembling the handgrip

To fit the handgrip to the body of the broom, simply push it in firmly until it clicks into place (fig.1).

To disengage, press on the spring clips with one hand while pulling the handgrip upwards with the other (fig.2).

Fitting on the accessories

To fit your machine with the correct accessory, simply push in the attachment until firmly in place.

- A) **Carpet/floor brush:** Cleans dust efficiently from both hard floors or mats and carpet. Thanks to the articulated fins, this model is particularly suited to cleaning right up close to furniture and into corners. (Fig. 3). For cleaning wider areas, simply rotate the brush to use the total width (Fig. 4).

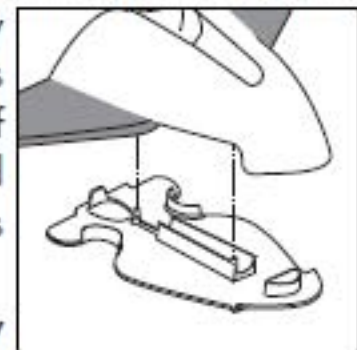
- B) **Multi-purpose upholstery nozzle:** particularly suitable for cleaning sofas, chairs, upholstery, car interiors, blankets, mattresses, drapes, curtains, etc. (fig.5).

- C) **Crevice tool:** Ideal for cleaning corners, skirting boards, etc. (fig. 6).

- D) **Accessory for delicate floors:** The accessory features felt strips for using the brush on delicate surfaces such as parquet and treated marble.

To fit the accessory to the base of the "EXPLORA" brush, line up the two pins

on the accessory with the two holes on the bottom of the brush and press until it clicks into place.



Cleaning under low furniture

Insert the required accessory suitable for the type of cleaning job.

When using the carpet/floor brush, for maximum suction efficiency, turn the swivel joint of the brush 180° (Fig. 7)

Proceed with cleaning by passing the appliance back and forward. Use the extension tube for cleaning under low furniture (10).

Cleaning high areas or ceilings

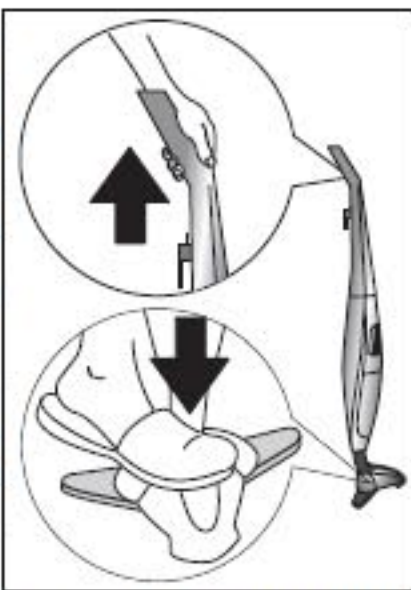
Fit the handgrip with the extension tube and the recommended attachment. Use both hands to hold the appliance.

"Parking" position

During cleaning operations, the appliance can be left in upright position for short pe-

riods. Simply press downwards on the sweeper to insert the protruding part of the brush joint into its guides. (Fig. 8)

To begin work again, maintain the brush on the ground by pressing with the foot,



and pull the sweeper handgrip upwards until the brush joint is released.

Operating Instructions

Unwind the power cord and plug in the machine. The cord storage hook swivels for quick release (fig.9).

Switching on the machine

To operate the machine, switch (2) must be on I position. The Electronic model has a slide switch for electronic suction control.

It is recommended to position the slide switch to the minimum setting before switching on the machine (fig. 10).

Electronic controls allow you to adjust suction power to the surface to be cleaned.

- **Maximum power:** for carpets, corners, borders, heavy dirt (grit, bread crumbs, etc.).
- **Medium power:** for energy saving and reduced noise when cleaning hard floors and upholstery.
- **Minimum power:** indispensable for vacuuming delicate textiles and upholstery, to avoid strong suction on the fabric which may tear the fabric and reduce cleaning performance.

CLEANING AND MAINTENANCE

Before carrying out cleaning or maintenance, always remove the plug from the power socket.

Full-bag indicator (5)

The full-bag indicator is on the lower part of the broom and is activated when the suction hose is blocked or the dust bag is excessively full.

Changing the dust bag

Remove hatch cover (6) by pulling it outwards (fig. 11)

Release the dust bag.

Fit with a new dust bag, making sure to slide the cardboard collar correctly into its grooves (fig. 12-13).

Replace the hatch cover and secure in place by pressing until it locks (fig.14).

Care of the motor filter

In order to maintain the maximum suction efficiency, and to ensure that the motor is adequately cooled and that the air vented from the appliance contains no dust particles, the motor filter should be cleaned regularly. Wash the motor filter in water with a little household detergent, and allow to dry thoroughly before replacing (fig.15).

Replacing the microfilter/s

The electrostatic 3M-filter assures a high-quality out-put of air as it retains dust, pollen, etc.

To maintain its efficiency, the micro-filter should be changed every 2-3 months.

To replace the micro-filter, lift the front air exhaust grille and remove filter. Replace with a new filter and close the grille pressing it down firmly (Fig. 16).

Storing the machine

Store leaning against a wall with the power head with brush down to prevent slipping. Or else, hang on the wall by the hole in the handgrip on a nail, hook, or a screw with plug.



PROTECT YOUR INVESTMENT WITH DELONGHI'S EXTENDED SERVICE PLAN

For your convenience and protection an optional Extended Service Plan is available!

At a small cost you may be sure that if your small appliance needs repair, it will be repaired at no cost for parts and labor, for a period of two years beyond the manufacturer's limited warranty.

If you choose to enroll, please detach and fill out this form and mail with payment (check or money order only) in an envelope. Your extended service plan certificate will be sent to you by return mail.

PLEASE PRINT

Name: _____

Address: _____

City: _____ State: _____ Zip: _____

TWO YEARS EXTENDED SERVICE PLAN

Food processor	\$ 15.00
Toasters	\$ 10.00
Espresso	\$ 16.00
Toaster ovens	\$ 12.00
Deep fryers & barbecues & contact-grills	\$ 12.00
Heaters	\$ 10.00
Floor Care	\$ 16.00

NJ - CA - NY - WA residents please add sales tax
(check for money order for this amount)

total: _____

Date of purchase: Model:

Small appliance serial no.

Signature:

MAIL TO:

DeLonghi America, Inc.
PARK 80 WEST, PLAZA ONE
SADDLE BROOK, NJ 07663
ATTN. CONSUMER SERVICE DEPT.




DeLonghi

Limited Warranty

What Does This Warranty Cover? We warrant each appliance to be free from defects in material and workmanship. Our obligation under this warranty is limited to replacement or repair, free of charge at our factory or authorized service centers, of any defective part or parts thereof other than parts damaged in transit, which shall be returned to us, transportation prepaid. This warranty shall apply only if the appliance is used in accordance with the factory directions which accompany it, and on an Alternating Current (AC) circuit.

How Long Does The Coverage Last? This warranty runs for one year from the date of delivery and applies only to the original purchaser.

What Does This Warranty Not Cover? This warranty does not cover defects or damage of the appliance which result from repairs or alterations to the machine outside our factory or authorized service centers, nor shall it apply to any appliance which has been subject to abuse, misuse, negligence or accidents. Also, consequential and incidental damages resulting from the use of this product or arising out of any breach of contract or breach of this warranty are not recoverable under this warranty. Some states do not allow the exclusion or limitation of incidental or consequential damages, so the above limitation may not apply to you.

How Do You Get Service? If repairs become necessary or spare parts are needed, please write to:

De'Longhi America Inc.

Park 80 West Plaza One

Saddle Brook, N.J. 07663

or call Service **Tel. No. 800-322-3848**

The above warranty is in lieu of all other express warranties and representations; All implied warranties are limited to the applicable warranty period set forth above. This limitation does apply if you enter into an extended warranty in connection with De'Longhi. Some states do not allow limitations on how long an implied warranty lasts, so the above exclusions may not apply to you. De'Longhi does not authorize any other person or company to assume for it any liability in connection with the sale or use of its appliance.

How Does State Law Apply? This warranty gives you specific legal rights, and you may also have other rights which vary from state to state.

IMPORTANT INSTRUCTIONS
SAVE THESE INSTRUCTIONS



**LIGHTWEIGHT UPRIGHT
VACCUM CLEANER**



