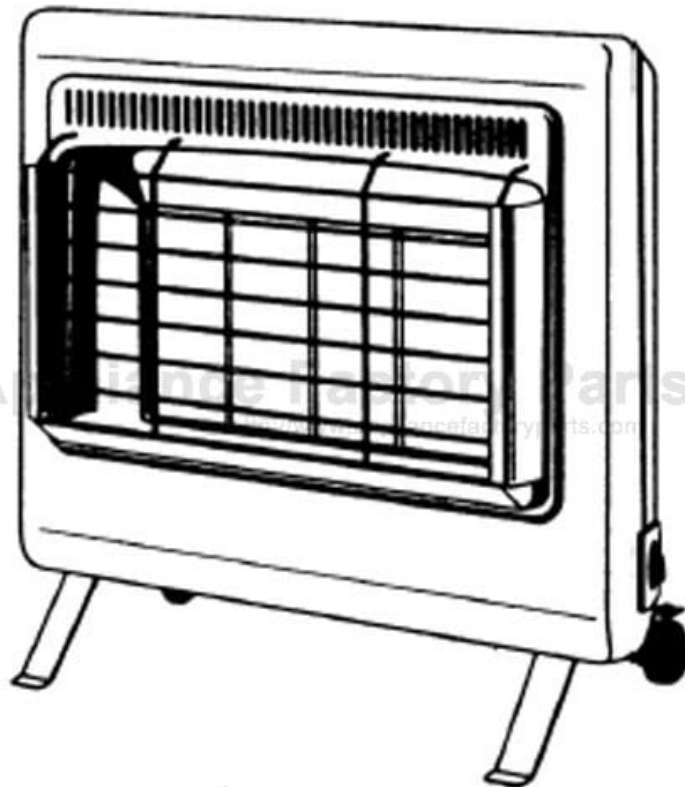


This Owner's Manual is provided and hosted by [Appliance Factory Parts](#).



DE'LONGHI WH45NAT WHITE Owner's Manual

[Shop genuine replacement parts for DE'LONGHI
WH45NAT WHITE](#)



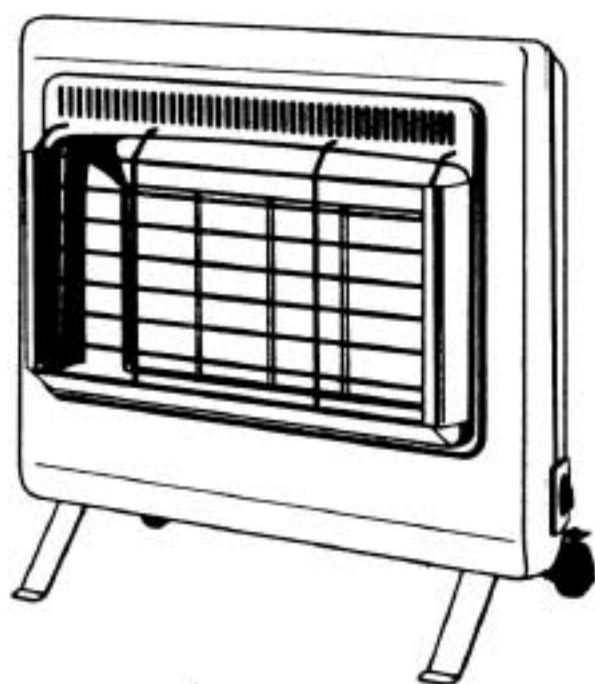
[Find Your DE'LONGHI HVAC Parts - Select From 166 Models](#)

----- Manual continues below -----



INFRARED GAS HEATER

TYPE OF GAS: NATURAL



Operating instructions





TECHNICAL SPECIFICATIONS

The manufacturer reserves the right to make any modifications it feels appropriate at any time.

MODEL	MODEL		Hourly consumption	Volume heated	Adjustment knob position
WH 45 Nat	Kcal/h	Kcal/h	m ³ /h	m ³	
	4500	17865	0,560	150	3
	3100	21183	0,387	103	2
	1650	6485	0,207	55	1

INSTALLATION

Mounting to the wall

- remove the two self-threading screws from the bottom two corners of the front part (see Figure 1);
- remove the front part slowly, by lifting it from below and pushing it upwards, and then detaching it from the rear part;
- make four 6mm holes in the wall, following the indications shown in Figure 2;
- place the plastic plugs supplied in the holes;
- fasten the rear part to the wall using the 4 screws supplied;
- replace the front part, performing the same operations described previously in reverse order.

FITTING THE FEET/WHEELS

- fasten the wheels and the feet to the holes shown in Figure 2, using the screws supplied.

IMPORTANT

The heater only works on natural gas at an inlet pressure of 18 mbar.

The adjustment and maintenance operations must only be performed by specialist personnel.

WARNING

The residues of combustion from the heater are discharged in the room, therefore sufficient ventilation must be ensured.

For correct ventilation, the room that the appliance is used in must have an opening of at least 100 cm². If necessary, this opening can be created by increasing the distance between the appliance and the floor.

ON-OFF

Open the mains supply line cock.

Starting from position "0", fully press the adjustment knob and turn it anticlockwise, to position "1".





Once the heater is on (as seen through the front grille), hold the knob in position "1" for around 15 seconds, and then move it to the desired position.

To switch the heater off completely, turn the knob to position "0" and never forget to also close the mains supply line cock.

IMPORTANT

The heater's pilot flame also acts as an air analyser. This means that the device will completely shut-off the flow of gas BEFORE the level of oxygen, due to combustion, in the room falls to harmful levels for people. If this happens, open a window for a few minutes and adequately ventilate the room. It will then be possible to ignite the heater again, ensuring adequate ventilation in the room as described in the paragraph warning

When the heater is completely off, the mains supply line cock should also be closed.

MAINTENANCE AND CLEANING

- To perform any replacements and adjustments, always contact specialist personnel and request the use of original spare parts.
- Clean the surfaces of the heater only when the appliance is cold, using a damp cloth. Never use abrasive powders.
- Before igniting the heater again after the summer period, use a solution of soapy water to check the seal of the fittings.



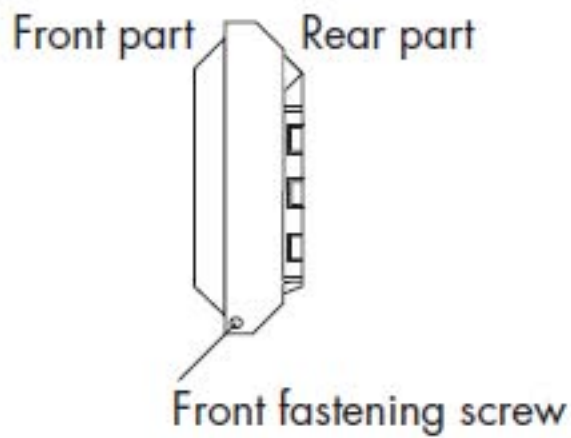


Fig.1

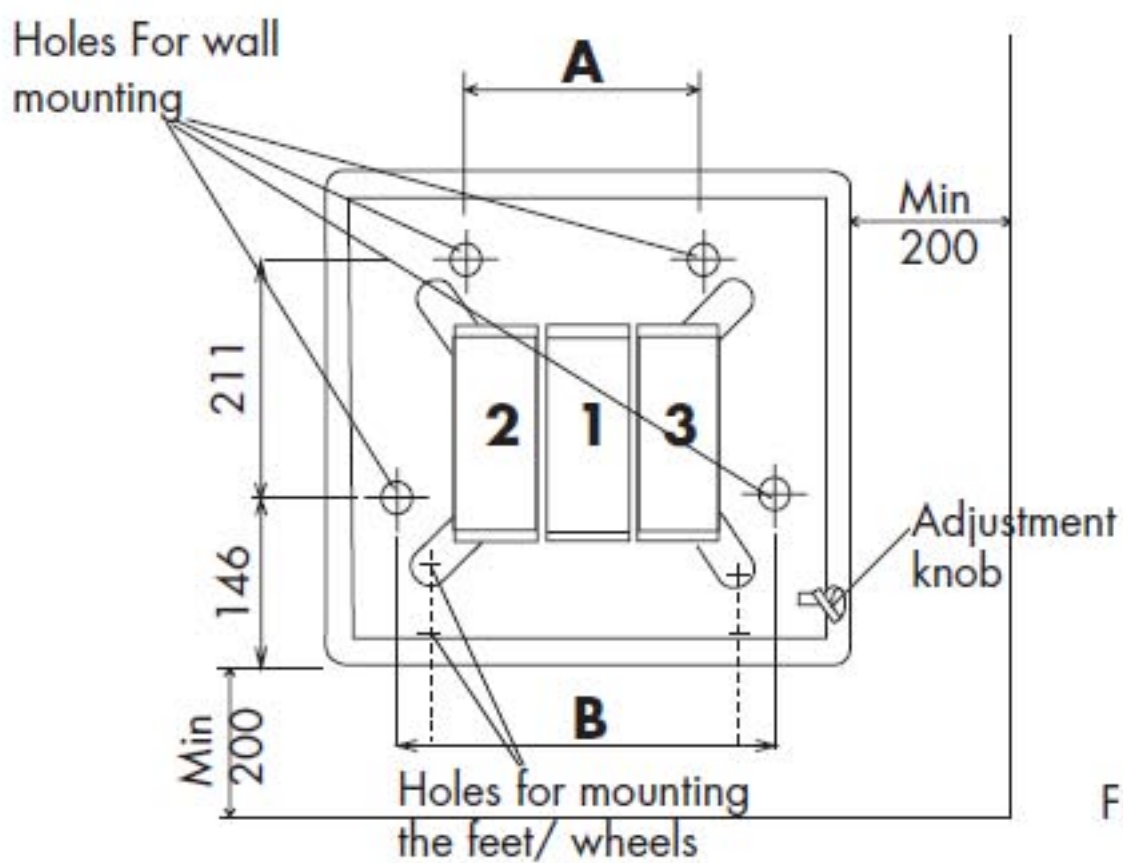


Fig.2

	WH 45 NAT
A	203
B	330

