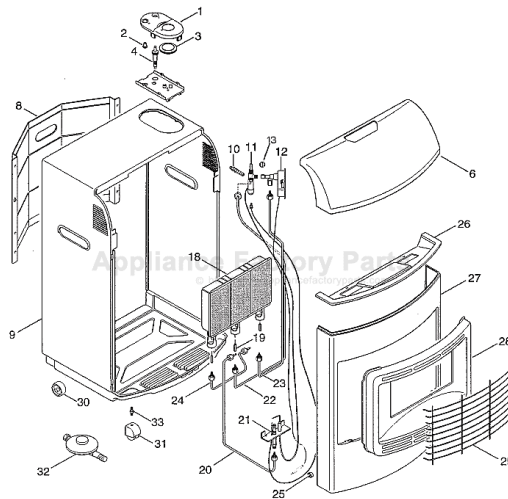


This Owner's Manual is provided and hosted by [Appliance Factory Parts](#).



DE'LONGHI IHF2 Owner's Manual

[Shop genuine replacement parts for DE'LONGHI IHF2](#)



[Find Your DE'LONGHI HVAC Parts - Select From 166 Models](#)

----- Manual continues below -----

RADIANT HEATER

RADIANT HEATER

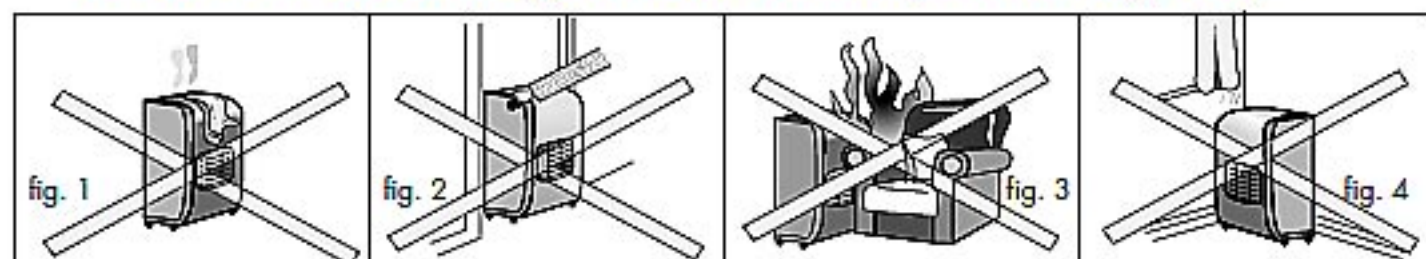
Technical Data

Type	Maximum Input		Medium Input		Low Input		Gas pressure
	KW	g/h	KW	g/h	KW	g/h	
IH - IHF	4.00	314	2.71	213	1.43	112	28÷30 mbar
IH2 - IHF2	4.00	305			1.50	109	28÷30 mbar

This appliance is designed to operate with Butane at nominal pressure: 28 ÷ 30 mbar. For a regular gas combustion the required air quantity is: 8,4 m³/h.

WARNINGS

- ALWAYS use heater in accordance with instructions. Read the instructions book carefully and keep it in a safe place.
- This appliance requires a rubber tube and a pressure regulator in accordance with the law in force. If not supplied check with your gas supplier.
- Use ONLY in a well ventilated area.
- This appliance MUST NOT be used in basements, high rise flats, bathrooms or bedrooms and in rooms having volume less than 15m³ (30 m³ in living rooms).



- This appliance emits the combustion residues in the room in which is used.
- DO NOT place clothes or other materials on the heater, as apart from the danger of fire their presence could affect the efficient working of the appliance (fig. 1).
- DO NOT move heater from room to room when it is lit (fig. 2).
- DO NOT position heater alongside a wall or near curtains or arm-chairs etc. (fig. 3 - 4).
- ALWAYS face heater towards centre of room. Special care should be taken if the heater is on a surface where it can move or twist on its wheels or castors if knocked by a child or dog, etc.
- Minimum Clearance : 200 mm from sides, 1500 mm from front.
- The heater you have purchased is fitted with safety devices which come on in the event of malfunctioning while the appliance is in use. If the pilot light (placed opposite the burner) accidentally goes out, or if the room is not sufficiently ventilated, the safety device will block the gas flow, causing the heater to go off.
- Do not use the heater at high altitudes.

Gas leakages

If a leak is suspected, turn off gas at the gas bottle, open the window and air the room. DO NOT disconnect the pressure regulator. Extinguish all naked lights. Slowly turn the gas on and brush the connections with soapy water or liquid detergent - a gas leak will form bubbles. If a leak is found, turn the gas off and inform your Dealer. DO NOT use the heater again until it has been inspected by your Dealer. NEVER USE MATCHES TO FIND LEAKS.

GENERAL SAFETY INSTRUCTIONS

Gas bottle

Gas Bottle with 15 kg of maximum capacity can be installed.

Changing of gas bottle must not be carried out in the presence of a naked flame.

Use the gas bottle always in upright position. If a screw on regulator is used ensure that the regulator washer is present and in good condition -replace if in any doubt.

To place the bottle in position, remove the rear panel which faces the inside during transport, by unfastening the screws; than put the bottle in position and replace the panel.

Important

Dear client:

when using the radiant heater as a portable appliance, before filling the gas bottle, remember to discharge the compressed air that may be contained in it.

Pressure regulators, rubber tubes and clips

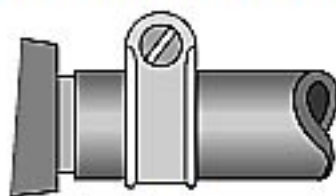


fig. 5

CHECK that tubing is completely over the nozzles at each end of the tubing and that it is held firmly in place by tube clips (See fig.5). Examine flexible tubing regularly and get your Dealer to fit new tubing 400 mm long complying to local standard, if perished, worn or damaged. Ensure that the rubber tube inserted in the plastic support (see fig. 6).

When connecting the pressure regulator to the gas bottle avoid undue twisting of the flexible tubing. A 28 ÷ 30 mbar (11.2 in w.g.) pressure regulator for Butane or Propane complying to local standard must be connected to the appliance with the above tubing, using suitable tube clips.

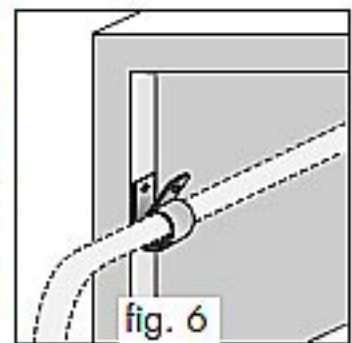


fig. 6

Room ventilation

USE ONLY IN A WELL VENTILATED ROOM

Adequate ventilation must be provided in rooms in which the heater is used. This ensures removal of the products of combustion and allows the entry of replacement air.

The following table shows the smallest size of room suitable for each heat setting and the dimensions of the aperture which must be provided equally divided between high and low level.

Control knob setting	Room Size IH-IHF	Room Size IH2-IHF2	Room Aperture
Position ◊ small flame (low rate)	15 m ³	42 m ³	105 cm ²
Position ◊ medium flame (medium rate)	28.5 m ³		
Position ◊ big flame (maximum rate)	42 m ³		

SAFETY GUARD

The guard is to prevent risk of fire and no part of it should be permanently removed. **It does not give full protection for young children or the infirm.**

OPERATING INSTRUCTIONS MODEL IH-IHF

Lighting the heater

1. Turn on the gas at the gas bottle tap.
2. FROM « ● » POSITION, fully depress the control knob for 10 seconds and turn to ◊ (Small Flame) position. (If pilot flame does not ignite return to starting position and repeat). Continue to fully depress the knob for a further 20 seconds to allow the thermocouple probe to heat up. Then turn the knob to select the desired setting as follows:
 - ◊ (Small Flame) Low Input
 - ◊ (Medium Flame) Medium Input,
 - ◊ (Big Flame) Maximum Input

Auxiliary ignition

Should piezoelectric starter fail to work, repeat operation on control knob and use a match to light pilot flame and repeat the operations above described.

Turning off the heater

Turn off the gas bottle tap.

The Heater will be totally "OFF" only if the tap at the gas bottle is turned off.

OPERATING INSTRUCTIONS MODEL IH2-IHF2

Lighting the heater

1. Turn on the gas at the gas bottle tap.
2. Depress the button for 10 seconds, consequently depress button ⚡ two or three times (If pilot flame does not ignite return to starting position and repeat). Continue to fully depress button ◊ for a further 20 seconds to allow the thermocouple probe to heat up then release. To light up the 3 burners, turn the thermostat fully counter-clockwise to the max. (pos .6). When the room temperature has reached the desired level, turn the thermostat clock-wise until the side burners light off. The thermostat will now automatically maintain the temperature at the desired level changing between max. power (all the three burners are on) and min. power (only one burner is on).

Auxiliary ignition

Should piezoelectric starter fail to work, repeat operation on control knob and use a match to light pilot flame and repeat the operations above described.

Turning off the heater

To turn the heater off, turn the thermostat to "●" position, then turn off the gas bottle tap.

The heater will be totally "OFF" only if the tap at the gas bottle is turned off.

Important

When the operating button "◊" is left at the end of the starting time (see also rating plate), this must move up about 5 mm and return to his starting height. If this does not happen, shut the gas valve and contact your aftersales service centre. Do not let the appliance work with the operating knob ◊ pressed downwards by force.

VENTILATED RADIANT HEATER

Electrical connection

- Before using the appliance check that your supply voltage is the same as that shown on the rating label of the unit.
- Connect your heater to earth provided socket only, having a capacity of at least 10/16 A.
- THIS APPLIANCE COMPLIES WITH THE EEC DIRECTIVE 89/336 CONCERNING ELECTROMAGNETIC COMPATIBILITY.

Operation and use

Fully insert plug into socket-outlet and switch on the fan heater following the instructions of Fig. 7.

Before switching on the gas burner, read carefully the relevant operating instructions.

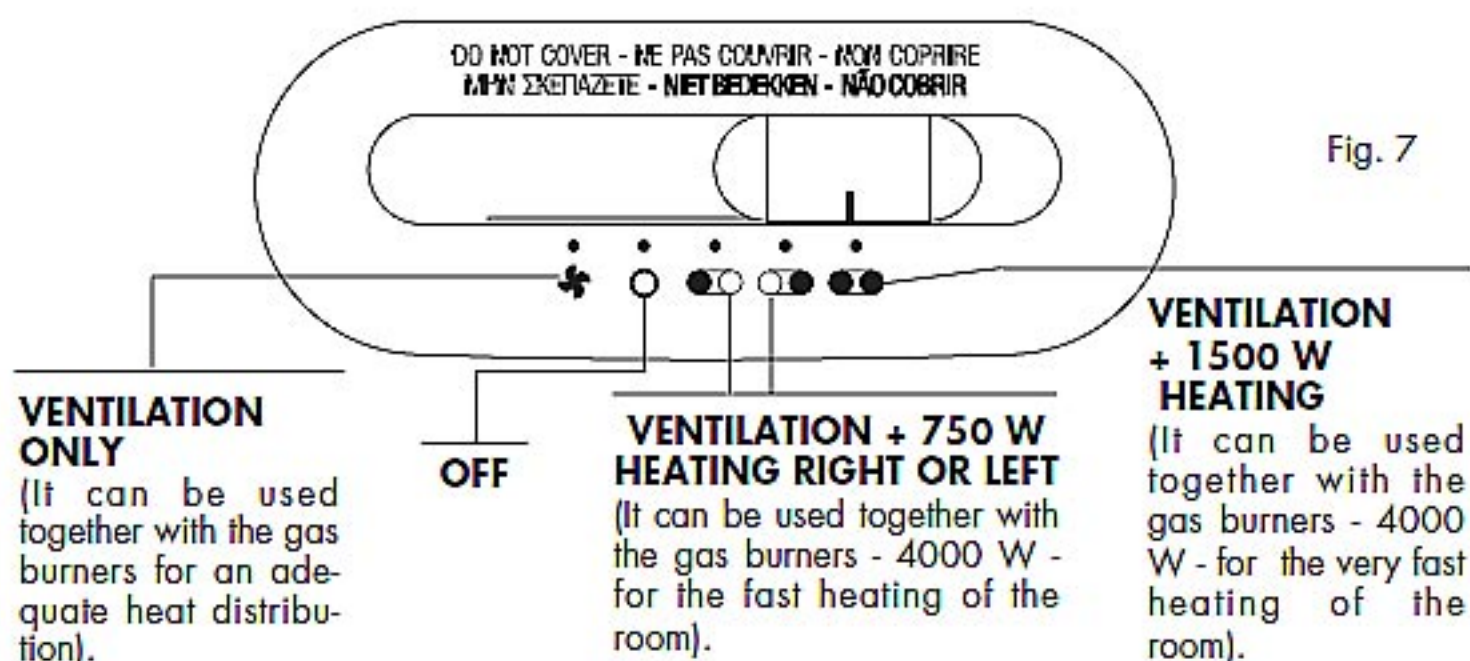


Fig. 7

IMPORTANT

DO NOT cover the appliance when in operation, this could cause a dangerous rise of the temperature of the fan heater with consequent risk of fire.

Important notes

- Your heater must always be earthed: warranty does not cover damages caused by non-observance of this warning.
- Do not use your heater close to wash-basin, bath-tub, shower, swimming pool.
- Do not lay the cable on the hot unit.
- Use the appliance only standing on the floor.
- The heater must always operate in upright position.
- Do not cover either the hot air output or input grid on the top of the unit during service.

- Replacement of the power cable must be carried out by qualified personnel. Always use original spare parts supplied by the manufacturer.
- The heater must not be located immediately below a fixed socket outlet.
- **A safety device switches the fan heater off if it accidentally overheats. To reset the unit for normal operation, remove the plug from the mains socket for a few minutes, eliminate the cause of the overheating (e.g. air intake or outlet grilles obstructed) and then plug the fan heater back in again. Contact your nearest Technical Assistance Service if the fan heater does not start operating normally again.**
- Never direct the fan heater's air flow towards furniture, curtains, spray cans and inflammable material.

MAINTENANCE

Wipe your appliance with a soft damp cloth and only when it is switched off, cold and unplugged. Do not use solvents or abrasives detergents.

Check that there is no dust blocking the air inlet or outlet grids. Clean using a vacuum cleaner. When not in use remove plug from socket and store cable as shown in Fig. 8. When not in use the heater should be covered and stored in a dust-free place. Refer any major maintenance to your Local Authorised Dealer. Major servicing should be carried out every 2 - 3 years. If in doubt refer to your nearest authorised dealer.

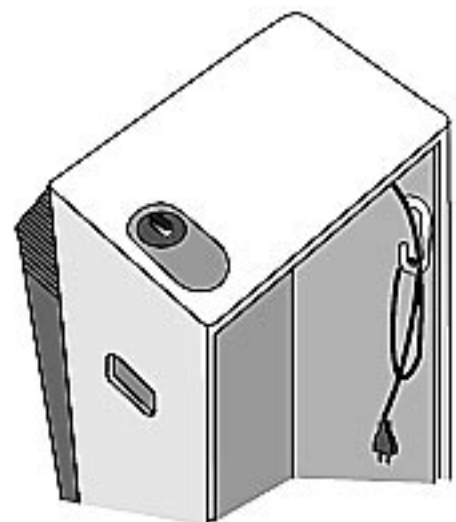


Fig. 8