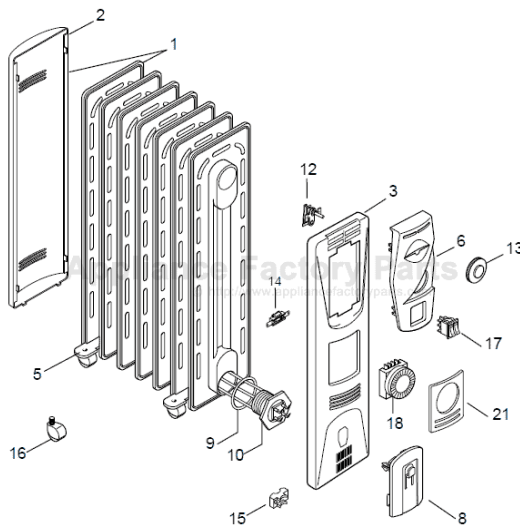


This Owner's Manual is provided and hosted by Appliance Factory Parts.



DE'LONGHI 9707T Owner's Manual

[Shop genuine replacement parts for DE'LONGHI 9707T](#)



[Find Your DE'LONGHI HVAC Parts - Select From 166 Models](#)

----- Manual continues below -----



DeLonghi

ELECTRIC OIL FILLED

INSTRUCTIONS F

SAVE THESE INSTR

TYPE/MODELE/MODEL

EW0507-EW0507W-2507L-EW



IMPORTANT SAFEGUA

When using electrical appliances, basic precautions should always be taken to avoid the risk of fire, electric shock, and injury to persons, including the following:

1. Read all instructions before using this heater.
2. If your radiator is equipped with a polythene tape used as carrier, remove it before connecting appliance to the outlet.
3. This heater is hot when in use. To avoid burns, do not let bare hands touch the heater. Use handle when moving this heater. Keep combustible materials, such as papers, bedding, papers, clothes, and curtains at least 3 feet (0,9 m) away from the heater and keep them away from the sides and rear.
4. Extreme caution is necessary when any heater is used by or near children. The heater is left operating and unattended.
5. Always unplug heater when not in use.
6. If the supply cord is damaged, it must be replaced by the manufacturer or by similarly qualified persons in order to avoid a hazard.
7. **Do not operate any heater with a damaged cord or plug or after the heater has been repaired or damaged in any manner. If heater has leaked any oil, discontinue use and take it to the service center as indicated in the instruction leaflet. Return heater to manufacturer for examination, electrical or mechanical adjustment, or repair.**
8. Do not use outdoors.
9. This heater is not intended for use in bathrooms, laundry areas, or other wet locations. Never locate heater where it may fall into a bathtub or other water container.
10. **Do not run cord under carpeting. Do not cover cord with throw rugs or mats. Arrange cord away from traffic area and where it will not be tripped over.**
11. To disconnect heater, turn controls to off, then remove plug from outlet.
12. Connect to properly polarized outlets only.
13. Do not insert or allow foreign objects to enter any ventilation openings. This may cause an electric shock, fire, or damage the heater.
14. To prevent a possible fire, do not block air intakes or exhaust openings. Do not place on soft surfaces, like a bed, where openings may become blocked.
15. **A heater has hot or arcing or sparking parts inside. Do not use if gasoline, paint, or flammable liquids are used or stored.**
16. Use this heater only as described in this manual. Any other use not recommended by the manufacturer may cause fire, electric shock, or injury to persons.
17. To prevent overload and blown fuses, be sure that no other appliances are plugged into the same outlet (receptacle) or into another outlet (receptacle) wired into the same circuit.
18. This heater is not to be used in areas where the ambient temperature is above 104°F (40°C).

HOW TO USE YOUR HEATER

FITTING THE WHEELS

Remove the feet and the wheels from the polystyrene packing. Lay the radiator down on a rug or a soft surface in order to prevent damaging the

- Fit the wheels to the spindles on the feet and push firmly until they are seated. Pull each wheel to check that it is correctly inserted.
- The feet with the casters must be fitted with two arc-shaped brackets using the threaded bar and wing nut provided, only between the first and the second to last (see fig. 1 to 3 inclusive).

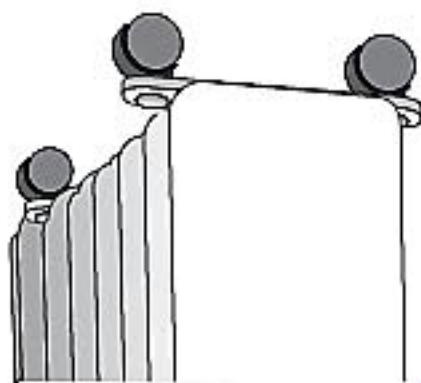


fig. 1

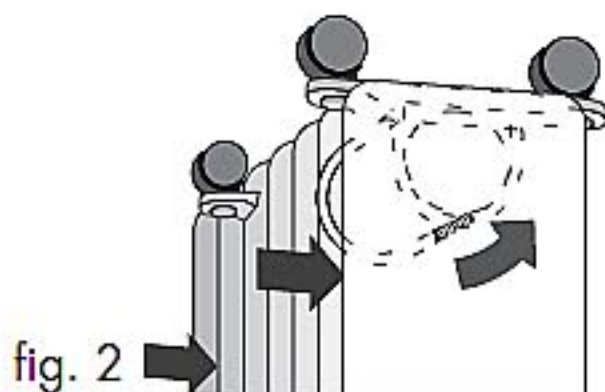
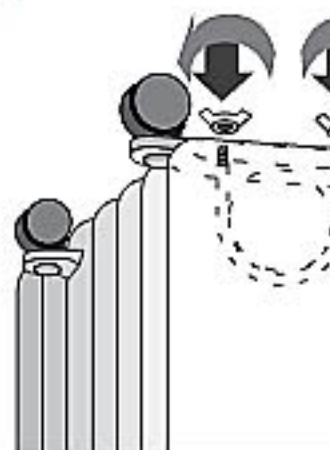


fig. 2



MODELS WITH "EASY WHEEL" SYSTEM

Turn the radiator upside-down on a rug or a soft surface in order to avoid damaging the paint finish. Fully unfold the castors by turning them outward. Turn the radiator back to its upright position.



1. LOCATION

Place heater on the floor beneath the coldest window in the room, or a heater will reduce the effect of cold drafts.

The heater should not be placed immediately below a power outlet.

Do not use this radiator in rooms with a floor area of less than 43 square

2. CONNECTION

The radiator should be connected to a properly polarized A/C 110V, perfect working conditions.

Keep loose clothing or bedding, furniture and flammable material away from the power outlet.

3. TURNING ON TWO-SWITCH MODELS

Turn the thermostat clockwise to its maximum position. Push down both switches to stay on independently of the thermostat cycling. When room reaches the desired temperature, turn the thermostat knob counter-clockwise very slowly and carefully until you reach the desired setting. (To set your heater to maintain the desired temperature by cycling on and off, see paragraph 5.)

Note: The heater normally requires about 15 minutes to reach the desired temperature.

4. USE OF THERMOSTAT

The thermostat operates according to room air temperature, rather than the surface temperature of the radiator. Turning it counter-clockwise to smaller numbers would decrease the temperature, and turning it to greater numbers would increase the temperature.

Antifreeze function

Turn the thermostat dial to the \times position and push the switches on. This will maintain a minimum room temperature of approximately 42°F (5°C), thus preventing the radiator from freezing and saving energy. In models that come with a timer, tabs must be set in the in

REMINDER

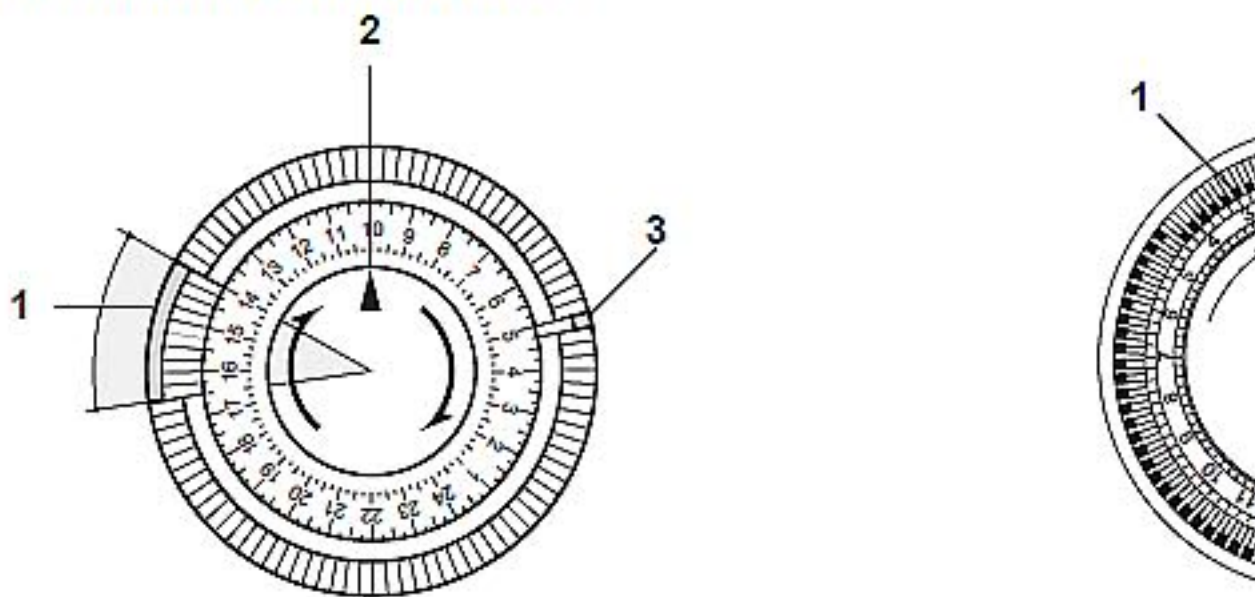
To completely shut the heater off, ON/OFF switches must be set in the OFF

5. UNITS WITH TIMER

Clock setting

HOW TO USE THE TIMER

Please refer to the illustration below:



IMPORTANT: There are 96 tabs around the dial. Each tab represents a 15 minute period. There is a tab for each quarter hour of the day (24 hours). Your application will switch itself ON and OFF at the time of your choice. With a timer you can program the heater to switch ON and OFF within 15 minutes and program up to 48 cycles (1 cycle = 1 period of 24 hours (12 hours a.m.+12 hours p.m.).

The tabs can be pushed inwards or pulled outwards simply by using your fingers. When a tab is in the inward position (towards the center of the dial), the heater will be ON for a 15 minute period. If a tab is in the outward position, the heater will be OFF. Please note that when you first use your heater all the tabs are out. You must push the tabs inwards to correspond to the period when you want the heater to be on. (If you want the heater to be on all day you must push all 96 tabs inward.)

Timer operation

- Plug in the heater.
- Turn timer dial clockwise to set clock with the current time of day (see illustration).
- Push tabs inwards for the period you want the heater to operate. In the illustration, the heater will operate from 14.00 (2 p.m.) to 16.30 (4.30 p.m.) and from 5 a.m. to 5 a.m.
- Push switch(es) in



LIMITED WARRANTY

This warranty applies to all products with De'Longhi or Kenwood

What does the warranty cover?

We warrant each appliance to be free from defects in material and workmanship. The warranty under this warranty is limited to repair at our factory or authorized service center. In the event of any defective parts or part thereof, other than parts damaged in shipping, the unit must be returned transported for replacement or return, the unit must be returned transported. A replacement or new model will be returned at the company expense.

This warranty shall apply only if the appliance is used in accordance with the instructions, which accompany it, and on an Alternating current (AC) circuit.

How long does the coverage last?

This warranty runs for one year (1) from the purchase date found on the receipt. This warranty applies only to the original purchaser for use.

What is not covered by the warranty?

The warranty does not cover defects or damage of the appliance, workmanship or alterations to the appliance outside our factory or authorized service center. This warranty does not apply to any appliance, which has been subject to abuse, misuse, neglect, or accident. Also, consequential and incidental damage resulting from the use of the appliance or out of any breach of contract or breach of this warranty are not covered by this warranty. Some states do not allow the exclusion or limitation of incidental or consequential damage, so the above limitation may not apply to you.

How do you get service?

If repairs become necessary, see contact information below:

U.S. Residents:

Please contact our toll free hotline at 1-800-322-3848 or local authorized service center at www.delonghi.com.

For all accessories, spare parts or replacement parts, please contact our customer service at 865-6330.