



IMPORTANT INSTRUCTIONS

SAVE THESE INSTRUCTIONS

INSTRUCCIONES IMPORTANTES

GUARDE ESTAS INSTRUCCIONES

The De' Longhi electric oil filled radiators are the finest and most versatile portable heaters available.

Please review the following to ensure the fullest benefit from their features.

Los radiadores eléctricos de aceite De'Longhi son los mejores y más versátiles calentadores portátiles en el mercado.

Favor de repasar la información a continuación para asegurar el beneficio completo de sus características.



IMPORTANT SAFEGUARDS

When using electrical appliances, basic precautions should always be followed to reduce risk of fire, electric shock, and injury to persons, including the following:

1. Read all instructions before using this heater.
2. **Never for any reason cover the appliance during operation as this could lead to dangerous overheating.**
3. This heater is hot when in use. To avoid burns, do not let bare skin touch hot surfaces. Use handle when moving this heater. Keep combustible materials, such as furniture, pillows, bedding, papers, clothes, and curtains at least 3 feet (0,9 m) from the front and top of the heater and keep them away from the sides and rear.
4. Extreme caution is necessary when any heater is used by or near children or invalids and whenever the heater is left operating and unattended.
5. Always unplug heater when not in use.
6. **Do not operate any heater with a damaged cord or plug or after the heater malfunctions, has been dropped or damaged in any manner. If heater has leaked any oil, discontinue using the heater and contact the service center as indicated in this instructions leaflet. Return heater to authorized service facility for examination, electrical or mechanical adjustment, or repair.**
7. Do not use outdoors.
8. This heater is not intended for use in bathrooms, laundry areas and similar indoor locations. Never locate heater where it may fall into a bathtub or other water container.
9. **Do not run cord under carpeting. Do not cover cord with throw rugs, runners, or the like. Arrange cord away from traffic area and where it will not be tripped over.**
10. To disconnect heater, turn controls to off, then remove plug from outlet.
11. Connect to properly polarized outlets only.
12. Do not insert or allow foreign objects to enter any ventilation or exhaust opening as this may cause an electric shock, fire, or damage the heater.
13. To prevent a possible fire, do not block air intakes or exhaust in any manner. Do not use on soft surfaces, like a bed, where openings may become blocked.
14. **A heater has hot or arcing or sparking parts inside. Do not use it in areas where gasoline, paint, or flammable liquids are used or stored.**
15. Use this heater only as described in this manual. Any other use not recommended by the manufacturer may cause fire, electric shock, or injury to persons.
16. To prevent overload and blown fuses, be sure that no other appliance is plugged into the same outlet (receptacle) or into another outlet (receptacle) wired into the same circuit.
17. It is normal for the heater's plug and cord to feel warm to the touch. A plug or cord which becomes hot to the touch or becomes distorted in shape may be a result of a worn electrical outlet. Worn outlets or receptacles should be replaced prior to further use of the heater. Plugging heater into a worn outlet /receptacle/ may result in overheating of the power cord or fire.
18. **Do not use an extension cord because it may overheat and cause a risk of fire. However, if you have to use an extension cord, the cord shall be No. 14 AWG minimum size and rated not less than 1875 watts, and has to be used only for supplying power to this heater.**
19. Be sure that the plug is fully inserted into an appropriate receptacle in order to prevent any danger of overheating or arcing. Please remember that receptacles also deteriorate due to aging and continuous use: check periodically if signs of overheating or deformations are evidenced by the plug. Do not use the receptacle and CALL your electrician.
20. Check that neither the appliance nor the power cable have been damaged in any way during transportation.
21. Make sure that no pieces of polystyrene or other packaging material have been left between one element of the appliance and another. It may be necessary to pass over the appliance with a vacuum cleaner.
22. **When switching on the appliance for the first time, allow it to run at full power for about two hours to get rid of the unpleasant smell. Make sure that the room in which the appliance is located is well ventilated during this operation. It is normal for the appliance to emit small cracking sounds when you turn it on for the first time.**

SAVE THESE INSTRUCTIONS

HOW TO USE YOUR HEATER

FITTING THE FEET

Remove the feet and the wheels from the polystyrene packing. Turn the radiator upside-down on a rug or a soft surface in order to prevent damaging the paint finish.

Insert the anchor tabs on the feet into the slots in the radiator (fig. 1).

Use the 2 screws supplied with the appliance to fasten the feet in position (fig. 2). Fit the wheels to the spindles on the feet and push firmly until they click into position. Pull each wheel to check that it is correctly inserted.

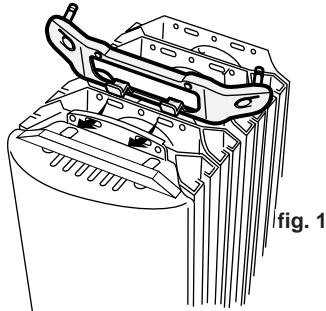


fig. 1

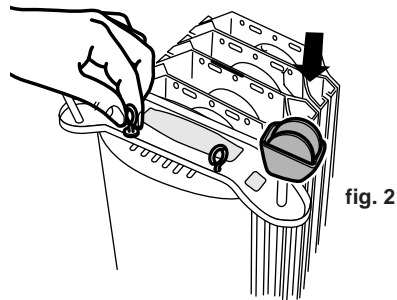


fig. 2

1. LOCATION

Place heater on floor beneath coldest window in the room or any desired location. Your heater will minimize the effect of cold drafts.

The heater must not be located immediately below a socket-outlet.

Do not use this radiator in rooms having a surface area less than 4 m² (43 sq. ft.).

2. CONNECTION

The radiator must be connected to a properly polarized A/C 110/120 V household outlet in perfect working conditions.

Keep loose clothing or bedding, furniture and flammable material away from the wall outlet where the heater plug is fitted in.

Your product is equipped with a polarized alternating current line plug (a plug having one blade wider than the other). This plug will fit into the power outlet only one way. This is a safety feature. If you are unable to insert the plug fully into the outlet, try reversing the plug. If the plug should still fail to fit, contact your electrician to replace your obsolete outlet. Do not defeat the safety purpose of the polarized plug.

OPERATION AND USE

1) SETTING THE CLOCK

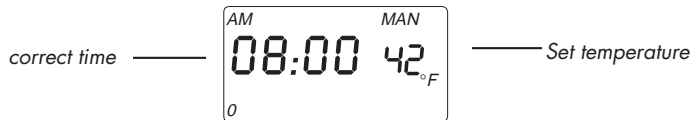
For the first time, set the clock to the correct time, proceeding as follows:

- Press the button "**hour**" until the display shows the hours for the correct time, then release the button.
- Press the button "**min**" until the display shows the minutes for the correct time, then release the button.

When setting the correct time, the numbers will flash on the display.

The flashing of the numbers will continue for a few seconds after the adjustment has finished then stop on the correct time and the clock start working.

To change the time, press pushbuttons "**hour**" or "**min**" for at least 5 seconds, then proceed as above to modify both hours and minutes.



2) MANUAL FUNCTIONING

To operate the heater without timer press the "**ON MODE**" button. By pressing the "**ON MODE**" button one or more times, the appliance will select the operating heating power, as follows:

Maximum power



Medium power



Minimum power



Off



If Maximum power has been selected, adjust the "+" or "-" button to the desired comfort temperature, from 42 to 95°F (5 to 35°C). By pushing once the "+" or "-" button the desired temperature (shown on the right side of the display) will increase or decrease of 1°F. Keep pushbutton pressed to move through the temperature in fast mode.



This heater has Electronic Climate Control which automatically monitors and selects the ideal power setting to maintain your chosen temperature.

If the selected temperature is higher than the actual room temperature, the appliance will start automatically and rapidly heat the room until it reaches the selected temperature. The unit will automatically maintain the temperature at a constant level, by switching between maximum, medium, minimum power and OFF.

If medium power level has been selected using the "ON MODE" button, the appliance will modulate between medium, minimum power and OFF to maintain a selected temperature.

ANTI-FREEZE SETTING

Press the "ON MODE" button and it is recommended to select the maximum power level. Set the temperature to 42°F with the "-" button. When set in this way, the appliance will switch on automatically only if the room temperature falls below 42°F, to prevent freezing, at minimum energy consumption.

N.B. This function is not guaranteed in the event of power failures, lasting more than 2 minutes.

3) PROGRAMMING THE ELECTRONIC TIMER

The timer allows you to set 2 programmes in a 24 hour period to programme the timer.

1- Press the button "⌚ AUTO" (fig. 3), this accesses the 1st programme (programme A). The yellow timer ON lamp will light up.

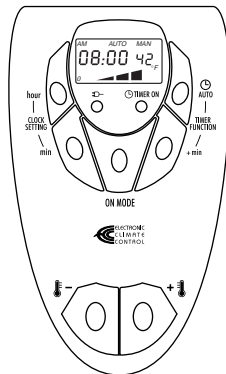


Fig. 3

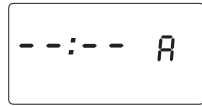
- 2** Set the start time for your programme by pressing the "HOUR" button to set the hour and the "MIN" button to set the minutes.
- 3-** To select how long you require the heater to be on, push "+min" button and push repeatedly until your chosen operating timespan appears. The time periods you are able to choose from are (15', 30', 45', 1hr, 2hr, 4hr-max).



- 4-** To set programme B, press the "⌚ AUTO" button again and then proceed as above to select the start hours and minutes. The set time will be the same as for

the first programme. When the operating time is changed, the time of both programmes is updated

- 5- Use the "+" or "-" buttons to set the desired comfort temperature, as described above.
- 6- When set in this way the appliance will automatically switch on at the set time and automatically maintain the preset comfort temperature. To cancel a programme, press the "⊖ AUTO" button and then the "hour" and "min" buttons until the display shows (see Fig.)



TIMER OVERRIDE

To operate the appliance without using the programmes (timer), press the "ON MODE" button (Fig.3). The yellow lamp will go off.

WARNINGS

You must leave the heater plugged in at the mains socket to keep the heaters memory programmed.

If the heater loses its electricity supply for more than 2 minutes, e.g. if unplugged or in the event of a power failure, the heater's programmes will be lost, and the heater will not work until reset. The display shows the blinking numbers.

To switch it on, repeat the above described operations.

A **safety device** switches the heater off in the event of overheating. To restart the heater, call the nearest Service Center to change the safety device.

Note: when the safety device intervenes, the heater doesn't heat but the display regularly works.

4. MAINTENANCE AND SERVICE

Always remove the plug from the power socket and allow the radiator to cool. Wipe radiator with a soft damp cloth, do not use detergents and abrasives.

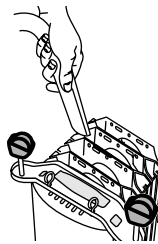
If necessary, use a vacuum cleaner to remove any built-up dirt (fig. 4).

Should the radiator not be in use over a certain length of time, wind the cable round the holder and store it in a dry place.

This appliance has been built to give many years of trouble free service.

In case of malfunction or doubt, do not try to repair the heater by yourself: it may result in fire hazard or electric shock.

Call the nearest Service Center (see attached list of Service Centers).





LIMITED WARRANTY

What Does This Warranty Cover? We warrant each appliance to be free from defects in material and workmanship. Our obligation under this warranty is limited to replacement or repair, free of charge at our factory or authorized service centers, of any defective part or parts thereof other than parts damaged in transit, which shall be returned to us, transportation prepaid. This warranty shall apply only if the appliance is used in accordance with the factory directions which accompany it, and on an Alternating Current (AC) circuit.

How Long Does The Coverage Last? This warranty runs for one year from the date of delivery and applies only to the original purchaser for use.

What Does This Warranty Not Cover? This warranty does not cover defects or damage of the appliance which result from repairs or alterations to the appliance outside our factory or authorized service centers, nor shall it apply to any appliance which has been subject to abuse, misuse, negligence or accidents. Also, consequential and incidental damages resulting from the use of this product or arising out of any breach of contract or breach of this warranty are not recoverable under this warranty. Some states do not allow the exclusion or limitation of incidental or consequential damages, so the above limitation may not apply to you.

How Do You Get Service? If repairs become necessary or spare parts are needed, please write to:

De' Longhi America Inc.
Park 80 West Plaza One
4th floor
Saddle Brook, NJ 07663
or call Service Tel. No. 1-800-322-3848

The above warranty is in lieu of all other express warranties and representations. All implied warranties are limited to the applicable warranty period set forth above. This limitation does apply if you enter into an extended warranty with De' Longhi. Some states do not allow limitations on how long an implied warranty lasts, so the above exclusions may not apply to you. De' Longhi does not authorize any other person or company to assume for it any liability in connection with the sale or use of its appliance.

How Does State Law Apply? This warranty gives you specific legal rights, and you may also have other rights which vary from state to state.