



OIL FILLED RADIATOR



Instruction for use





IMPORTANT SAFEGUARDS

When using electrical appliances, basic precautions should always be followed to reduce risk of fire, electric shock, and injury to persons, including the following:

1. Read all instructions before using this heater.
2. **Never for any reason cover the appliance during operation as this could lead to dangerous overheating.**
3. This heater is hot when in use. To avoid burns, do not let bare skin touch hot surfaces. Use handle when moving this heater. Keep combustible materials, such as furniture, pillows, bedding, papers, clothes, and curtains at least 3 feet (0,9 m) from the front and top of the heater and keep them away from the sides and rear.
4. Extreme caution is necessary when any heater is used by or near children or invalids and whenever the heater is left operating and unattended.
5. Always unplug heater when not in use.
6. **Do not operate any heater with a damaged cord or plug or after the heater malfunctions, has been dropped or damaged in any manner. If heater has leaked any oil, discontinue using the heater and contact the service center as indicated in this instructions leaflet. Return heater to authorized service facility for examination, electrical or mechanical adjustment, or repair.**
7. Do not use outdoors.
8. This heater is not intended for use in bathrooms, laundry areas and similar indoor locations. Never locate heater where it may fall into a bathtub or other water container.
9. **Do not run cord under carpeting. Do not cover cord with throw rugs, runners, or the like. Arrange cord away from traffic area and where it will not be tripped over.**
10. To disconnect heater, turn controls to off, then remove plug from outlet.
11. Connect to properly polarized outlets only.
12. Do not insert or allow foreign objects to enter any ventilation or exhaust opening as this may cause an electric shock, fire, or damage the heater.
13. To prevent a possible fire, do not block air intakes or exhaust in any manner. Do not use on soft surfaces, like a bed, where openings may become blocked.
14. **A heater has hot or arcing or sparking parts inside. Do not use it in areas where gasoline, paint, or flammable liquids are used or stored.**
15. Use this heater only as described in this manual. Any other use not recommended by the manufacturer may cause fire, electric shock, or injury to persons.
16. To prevent overload and blown fuses, be sure that no other appliance is plugged into the same outlet (receptacle) or into another outlet (receptacle) wired into the same circuit.
17. It is normal for the heater's plug and cord to feel warm to the touch. A plug or cord which becomes hot to the touch or becomes distorted in shape may be a result of a worn electrical outlet. Worn outlets or receptacles should be replaced prior to further use of the heater. Plugging heater into a worn outlet /receptacle/ may result in overheating of the power cord or fire.
18. **Do not use an extension cord because it may overheat and cause a risk of fire. However, if you have to use an extension cord, the cord shall be properly grounded No. 14 AWG minimum size and rated not less than 1875 watts, and has to be used only for supplying power to this heater.**
19. Be sure that the plug is fully inserted into an appropriate receptacle in order to prevent any danger of overheating or arcing. Please remember that receptacles also deteriorate due to aging and continuous use: check periodically if signs of overheating or deformations are evidenced by the plug. Do not use the receptacle and CALL your electrician.
20. Check that neither the appliance nor the power cable have been damaged in any way during transportation.
21. Make sure that no pieces of polystyrene or other packaging material have been left between one element of the appliance and another. It may be necessary to pass over the appliance with a vacuum cleaner.
22. **When switching on the appliance for the first time, allow it to run at full power for about two hours to get rid of the unpleasant smell. Make sure that the room in which the appliance is located is well ventilated during this operation. It is normal for the appliance to emit small cracking sounds when you turn it on for the first time.**

SAVE THESE INSTRUCTIONS



ASSEMBLY OF THE BASE (bottom view)

fig. 1

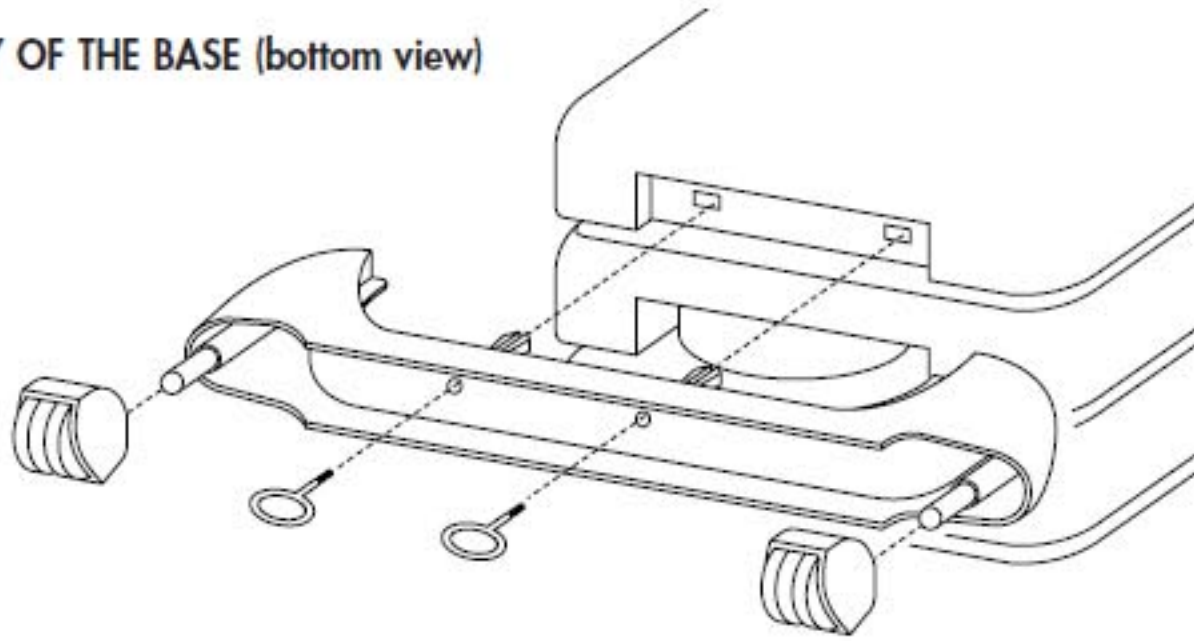


fig. 2b

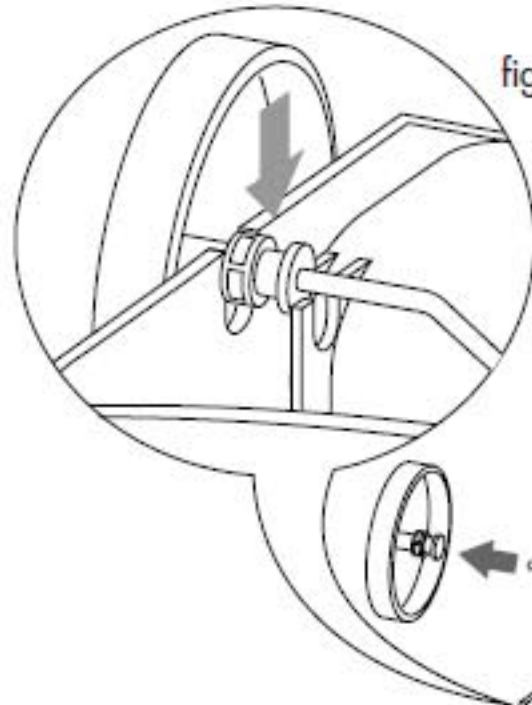
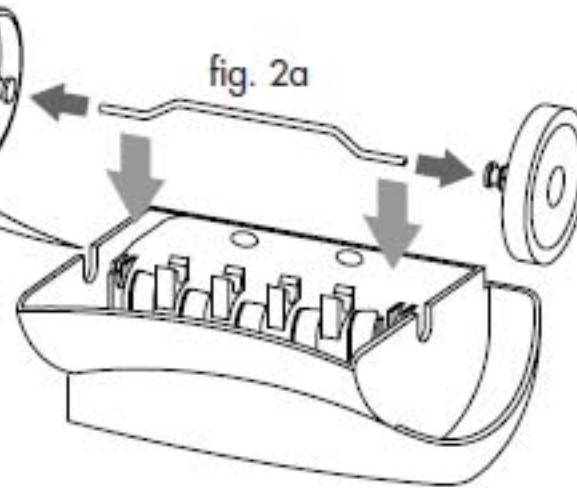


fig. 2a



CONTROL PANEL

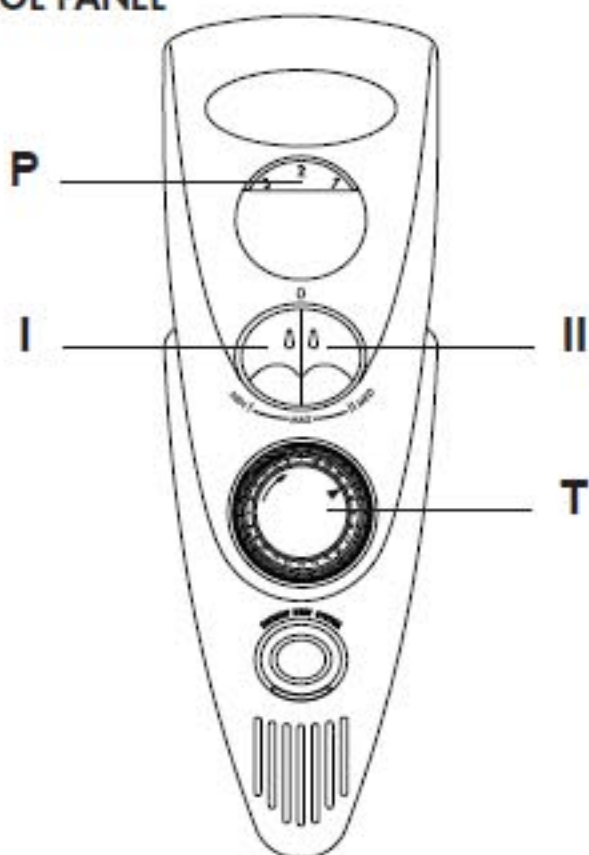


fig. 3





The Rapido heater is an extremely versatile oil filled radiator with three selectable power levels. The Rapido ensures that the optimum comfort level is achieved in any given situation. In order to use this heater to its maximum potential we suggest to carefully read the instructions that follow.

1. GENERAL INSTRUCTIONS

Remove the appliance from its box and packaging and turn it over resting it on the protective polystyrene packaging. Check that the appliance is intact, complete with the power cable and that it hasn't suffered damage during transportation. Do not use the appliance if it is damaged.

2. ASSEMBLY OF THE BASE

Remove the castors, wheels and assemblies from the polystyrene packaging

Insert the castors into the pins of the plastic castors holder and push them all the way in until a click can be heard (fig1) Make sure that they are in tightly by pulling the wheels gently.

Attach the castor assembly into the base of the unit by inserting the guiding ridges between the control panel and the first heating element; insert the two location lugs into their housings and lock the castor assembly to the product by inserting the eye screws, screwing them in tightly. (fig1)

Fit the two rear wheels onto the rear wheel metal bar. Allocate the metal bar with mounted wheels into the grooves (2a). The slots of the internal part of the wheels must fit into the appropriate housing (2b).

Check that the wheels can turn freely.

Finally turn the heater over to its upright position, ensuring you do not damage the wheels.

3. LOCATION

Place heater on floor beneath coldest window in the room or any desired location. Your heater will minimize the effect of cold drafts.

The heater must not be located immediately below a socket-outlet.

Do not use this radiator in rooms having a surface area less than 42 sq. ft (4m²).

4. CONNECTION

The radiator must be connected to a properly polarized A/C 110/120 V household outlet in perfect working conditions.

Keep loose clothing or bedding, furniture and flammable material away from the wall outlet where the heater plug is fitted in.

5. USING THE FUNCTIONS

In order to use all the functions of this heater to their maximum potential follow carefully the instructions below and those shown in the table on page 5.





POWER MODULATION FUNCTION

By turning on switches I and II, the power regulation function is activated.

With this function, your heater will be able to select the power level most comfortable to suit your needs (see chart below).

Turning the appliance on

Insert the plug into the electrical socket; turn the thermostat until it stops at the maximum position (6); turn on the heater using one or a combination of switches as indicated in the table.

Regulation of the thermostat (Fig. 3-P)

When the room has reached the desired temperature, turn the thermostat slowly in an anticlockwise direction until it arrives at the position where a click can be heard and not beyond this point.

The temperature selected in this way will be automatically regulated and maintained.




Anti-frost Function

With the thermostat in the * position and the I and /or II switches pressed down the room temperature is maintained and does not fall below 41 °F (5°C), whilst using minimum energy.

REMINDER

To completely shut unit off, ON/OFF switches must be placed in OFF position.

Your product is equipped with a polarized alternating current line plug (a plug having one blade wider than the other). This plug will fit into the power outlet only one way. This is a safety feature. If you are unable to insert the plug fully into the outlet, try reversing the plug. If the plug should still fail to fit, contact your electrician to replace your obsolete outlet. Do not defeat the safety purpose of the polarized plug.

Selected Buttons	Functions	Additional functions
	Press the I button for normal heating at minimum power	In this mode, it is possible to activate the Anti-Frost function. (see page 4 Anti-Frost function)
	Press the II button for normal heating at medium power	In this mode, it is possible to activate the Anti-Frost function. (see page 4 Anti-Frost function)
	Press both the I and II buttons for normal heating at the maximum power available without the instant heat system	In this mode, it is possible to activate the Anti-Frost function. (see page 4 Anti-Frost function)





6. UNITS WITH TIMER

Clock setting

The programme/timer, as in all clocks, must be set to the correct time. If for example the time is 9.30 a.m. (day zone), rotate the dial clockwise (following the direction of the arrow) until 9.30 is aligned with the triangular pointer.

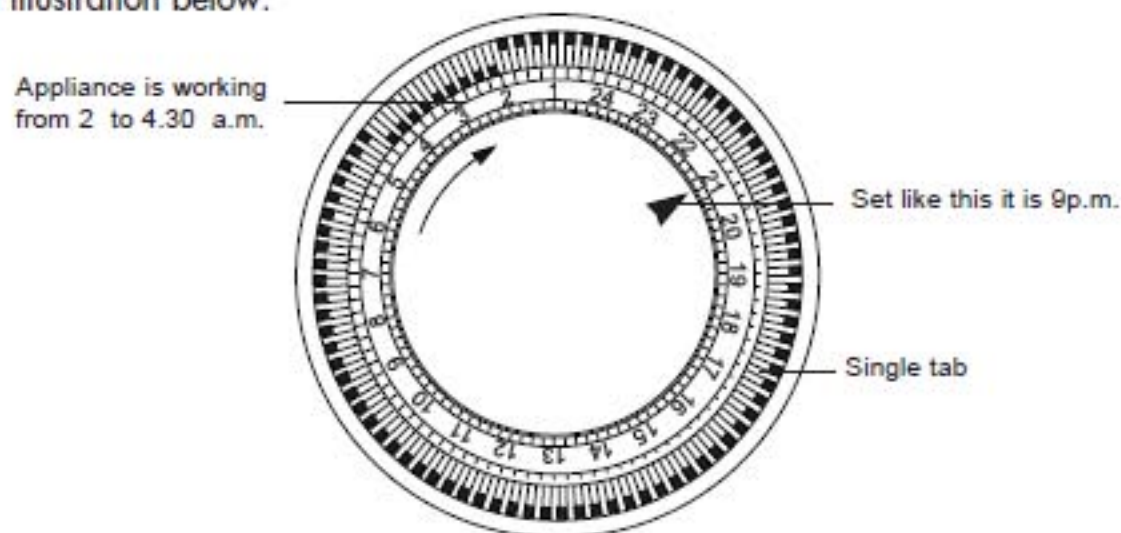
IMPORTANT:

DO NOT ROTATE CLOCK DIAL COUNTER CLOCKWISE.

The timer is in effect an electric clock and only works while plug is connected to the power supply. Whenever the plug is disconnected, the timer stops and must be re-set.

HOW TO USE THE TIMER

Please refer to the illustration below:



IMPORTANT: There are 96 tabs around the dial. Each tab represents a 1/4 hour (15 minutes) and there is a tab for every quarter hour of the 24 hour day. Your appliance can be programmed to switch itself ON and OFF at the time you want. With the timer you can approximate your setting to within 15 minutes and program up to 48 cycles (1 cycle = 1 "ON" + 1 "OFF") over a period of 24 hours (12 hours a.m.+12 hours p.m.).

The tabs can be pushed inwards or pulled outwards by merely using your fingers. When the tab is in the inward position (towards the center of the dial), the heater **will operate** during that 15 minute period. If the tab is in the outward position, the heater **will not operate** during this period.

Please note when you first use your heater, all the tabs are outwards. You must push in those tabs for the period that you want the heater to work. (If you want to bypass the timer you must push all 96 tabs inward).

Timer operation

- Plug in the heater.
- Turn timer dial clockwise to set clock with the current time of day (see CLOCK SETTING).
- Push tabs inwards for the period you want the heater to operate. For example, the illustration shows that appliance will operate from 2 a.m. to 4.30 a.m.
- Push switch(-es) in.
- Once you have set the tabs for the desired heating periods, your heater will cycle on and off according to these settings.
- As long as you keep the heater plugged in, the timer will continue to keep proper time.

6. MAINTENANCE AND SERVICE

Always remove the plug from the power socket and allow the radiator to cool. Wipe radiator with a soft damp cloth, do not use detergents and abrasives.

Should the radiator not be in use over a certain length of time, wind the cable round the holder and store it in a dry place (see fig. in front page).

This appliance has been built to give many years of trouble free service.

In case of malfunction or doubt, do not try to repair the heater by yourself: it may result in fire hazard or electric shock.

Call nearest Service Center (see attached list of Service Centers).





PROTECT YOUR INVESTMENT WITH DELONGHI'S EXTENDED SERVICE PLAN

For your convenience and protection an optional Extended Service Plan is available!

At a small cost you may be sure that if your small appliance needs repair, it will be repaired at no cost for parts and labor, for a period of two years beyond the manufacturer's limited warranty.

If you choose to enroll, please detach and fill out this form and mail with payment (check or money order only) in this envelope. Your extended service plan certificate will be sent to you by return mail.

PLEASE PRINT

Name: _____

Address: _____

City: _____ State: _____ Zip: _____

TWO YEARS EXTENDED SERVICE PLAN

Food processor	\$ 15.00
Toasters	\$ 10.00
Espresso	\$ 16.00
Toaster ovens	\$ 12.00
Deep fryers & barbecues & contact-grills	\$ 12.00
Heaters	\$ 10.00

NJ - CA - NY - WA residents please add sales tax
(check for money order for this amount) total: _____

Date of purchase: _____ Model: _____

Small appliance serial no. _____

Signature: _____

MAIL TO:

DeLonghi America, Inc.
PARK 80 WEST, PLAZA ONE
SADDLE BROOK, NJ 07663
ATTN. CONSUMER SERVICE DEPT.

