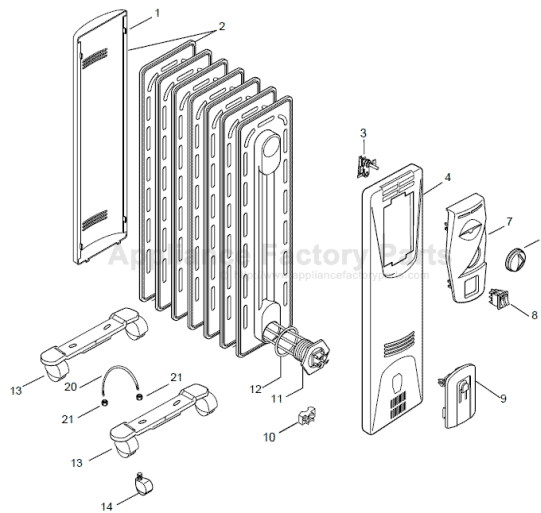


This Owner's Manual is provided and hosted by Appliance Factory Parts.



DE'LONGHI EW0507 EX:1 Owner's Manual

[Shop genuine replacement parts for DE'LONGHI
EW0507 EX:1](#)



[Find Your DE'LONGHI HVAC Parts - Select From 166 Models](#)

----- Manual continues below -----



IMPORTANT INSTRUCTIONS

SAVE THESE INSTRUCTIONS



The De'Longhi electric oil filled radiators are the finest and most versatile portable heaters available.

Please review the following to ensure the fullest benefit from their features.



IMPORTANT SAFEGUARDS

When using electrical appliances, basic precautions should always be taken to avoid the risk of fire, electric shock and personal injury, including the following:

1. Read these instructions thoroughly before using this heater.
2. If your radiator is equipped with a polythene tape, which serves as carry handle, remove it prior to connecting the appliance to an outlet.
3. This heater becomes very hot when operating. To avoid burns, do not touch its hot surfaces with your bare skin. Use the heater's handle when moving it. Keep combustible materials, such as furniture, pillows, bedding, papers, clothes and curtains at least 3 feet (90 cm) away from the heater's front and top, and also well away from its sides and rear.
4. Extreme caution should be taken when leaving an operating heater unattended near children or handicapped persons.
5. Always unplug the heater when it is not in use.
6. Do not operate your heater when its cord or plug has been damaged or after it has malfunctioned, has been dropped or damaged in any manner. If you notice any leakage of oil, switch it off immediately and contact a service center as indicated in these instructions. Return the heater to an authorized service facility for inspection, electrical or mechanical adjustment, or repair.
7. Your heater should not be operated outdoors.
8. Your heater is not intended for use in bathrooms, laundry areas and similar indoor locations. Never locate the heater where it might fall into a bathtub or other water containers.
9. Do not run the electric cord under carpeting. Do not cover cord with throw rugs, runners, or the like. Run the cord away from traffic areas and where it will not be tripped over.
10. To disconnect the heater, switch it OFF, then unplug its cord from the outlet.
11. Connect to properly polarized outlets only.
12. Do not insert or allow foreign objects to enter any ventilation or exhaust opening, as this might cause an electric shock, fire, or damage the heater.
13. To prevent fire, do not block air intakes or exhaust in any manner. Do not place the heater on soft surfaces, like a bed, where openings may be blocked.
14. Your heater's internal parts may become hot or issue sparks during normal operation. Therefore, you should not use it in areas where gasoline, paint, or flammable liquids are used or stored.
15. Use this heater only as described in this manual. Any other use not recommended by the manufacturer might cause fire, electric shock, or personal injury.
16. To prevent overload and blown fuses, be sure that no other appliances are plugged into the same shared outlet, or a separate outlet on the same shared circuit.
17. The heater's electric cord and plug may grow warmer during normal operation. However, exceedingly hot or deformed plug or cord are not normal, and are often the result of a defective power outlet. You should replace such outlets prior to further use of the heater. Continuous use of defective outlets might cause cord overheating and fire.
18. The use of extension cords is not recommended, as they are likely to overheat and increase the risk of fire. However, where necessary, you may use a No. 14 AWG or larger cord rated for 1875 watts or more; the extension cord should not be shared by any other appliance.
19. Make sure the heater is firmly plugged into the wall outlet. Please note that the quality of wall outlets may deteriorate over time: Check the electric plug periodically for signs of overheating or deformation, and in such cases, stop using that outlet and have it fixed.
20. Check that neither the heater nor the power cable has been damaged in any way during transportation.
21. Make sure that no pieces of polystyrene or other packaging material have been left between heating elements. If necessary, remove such pieces using a vacuum cleaner.
22. When switching the heater on for the first time, allow it to run at full power for about two hours to get rid of a possibly unpleasant smell. Make sure that the room where the heater is placed is well ventilated during this first operation. Soft crackling sounds are normal during the heater's first operation if the appliance is located in well

HOW TO USE YOUR HEATER

FITTING THE WHEELS

Turn the radiator upside-down on a rug or a soft surface in order to prevent damaging the paint finish.

Fully unfold the castors by turning them outwards (Fig. 1).

Turn the radiator back to its upright position.

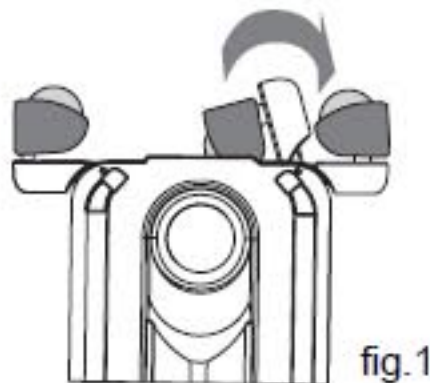


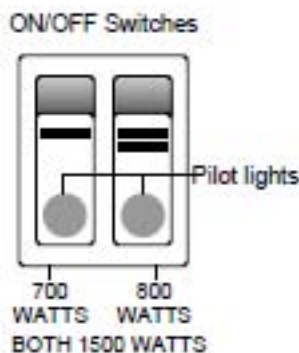
fig.1

BE CAREFUL

Operate the heater in upright position only (wheels on the bottom, controls on the top). Any other position could create hazard situation!

WATTS ECONOMIZER

For more economical use, the Min. or Med. Watt switches may be used individually, after unit has reached the operating temperature.



With pilot lights ON, the heater is ON!

1. LOCATION

Place heater on the floor beneath the coldest window in the room, or any other location. Your heater will reduce the effect of cold drafts.

The heater should not be placed immediately below a power outlet.

Do not use this radiator in rooms with a floor area of less than 43 square feet (4 sq. m.).

2. CONNECTION

The radiator should be connected to a properly polarized A/C 110/120 V household outlet in perfect working conditions.

Keep loose clothing or bedding, furniture and flammable material away from the heater's wall outlet.

3. TURNING ON TWO-SWITCH MODELS

Turn the thermostat clockwise to its maximum position. Push down both switches. The switch



4. USE OF THERMOSTAT

The thermostat operates according to room air temperature, rather than radiator temperature. Turning it counter-clockwise to smaller numbers would decrease the temperature; clockwise to greater numbers would increase the temperature.

Antifreeze function

Turn the thermostat dial to the * position and push the switches on. The appliance will maintain a minimum room temperature of approximately 42°F (5°C), thus preventing freezing while conserving energy. In models that come with a timer, tabs must be set in the inward position.

REMINDER

To completely shut the heater off, ON/OFF switches must be set in the OFF position.

5. UNITS WITH TIMER

Clock setting

The program/timer, as with all clocks, must be set to the correct time. If for example the time is 9.30 a.m. (day zone), rotate the dial clockwise (following the direction of the arrow) until 9.30 is aligned with the triangular pointer.

IMPORTANT:

DO NOT ROTATE CLOCK DIAL COUNTER-CLOCKWISE.

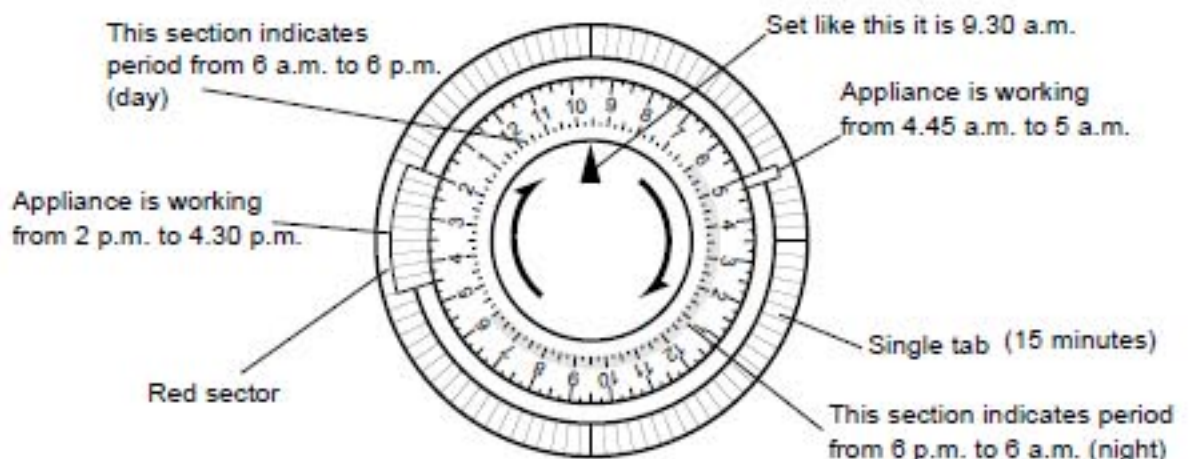
The timer is in effect an electric clock and would only work while it is plugged into a power supply.

When unplugged, the timer stops and must be later re-set.

Your product is equipped with a polarized alternating current line plug (a plug having one blade wider than the other). There is only one way it can be plugged into a power supply. This is a safety feature. If you are unable to insert the plug fully into the outlet, try again by turning it the other way. If it would still not go in, it is probably due to an obsolete outlet which should be replaced. Do not temper with the plug or outlet to defeat the purpose of this safety mechanism.

HOW TO USE THE TIMER

Please refer to the illustration below:





IMPORTANT: There are 96 tabs around the dial. Each tab represents a 1/4 hour (15 minutes) and there is a tab for each quarter hour of the day (24 hours). Your appliance can be programmed to switch itself ON and OFF at the time of your choice. With a timer you can approximate your setting to within 15 minutes and program up to 48 cycles (1 cycle = 1 "ON" + 1 "OFF") over a period of 24 hours (12 hours a.m.+12 hours p.m.).

The tabs can be pushed inwards or pulled outwards simply by using your fingers. When a tab is in the inward position (towards the center of the dial), the heater will be on during the corresponding 15 minute period. If a tab is in the outward position, the heater will be off during that period.

Please note that when you first use your heater all the tabs are out. You must push in the tabs that correspond to the period when you want the heater to be on. (If you want to bypass the timer you must push all 96 tabs inward.)

Timer operation

- A) Plug in the heater.
- B) Turn timer dial clockwise to set clock with the current time of day (see CLOCK SETTING).
- C) Push tabs inwards for the period you want the heater to operate. For example, in the shown illustration, the heater will operate from 2 p.m. to 4.30 p.m. and from 4.45 a.m. to 5 a.m.
- D) Push switch(-es) in.
- E) Once you have set the tabs for the desired heating periods, your heater will cycle on and off according to these settings.
- F) As long as you keep the heater plugged in, the timer will maintain the proper time.

6. MAINTENANCE AND SERVICE

Always unplug the heater from the power outlet and allow the radiator to cool. Wipe radiator with a soft damp cloth; do not use detergents and abrasives.

Should the radiator not be in use over a certain length of time, roll the cable around the holder and store it in a dry place (see fig. on front page).

This appliance has been built to last for many years of trouble-free service.

In case of malfunction or doubt, do not try to repair the heater by yourself: this might increase the risk of fire and electric shock.

Call your nearest Service Center (see attached list of Service Centers).



The De'Longhi logo is enclosed in a rounded rectangular border. The text 'De'Longhi' is written in a bold, sans-serif font, with the apostrophe in the 'e'.

LIMITED WARRANTY

What Does This Warranty Cover? We warrant each appliance to be free from defects in material and workmanship. Our obligation under this warranty is limited to replacement or repair, free of charge at our factory or authorized service centers, of any defective part or parts thereof other than parts damaged in transit, which shall be returned to us, transportation prepaid. This warranty shall apply only if the appliance is used in accordance with the factory directions which accompany it, and on an Alternating Current (AC) circuit.

How Long Does The Coverage Last? This warranty runs for one year from the date of delivery and applies only to the original purchaser for use.

What Does This Warranty Not Cover? This warranty does not cover defects or damage of the appliance which result from repairs or alterations to the appliance outside our factory or authorized service centers, nor shall it apply to any appliance which has been subject to abuse, misuse, negligence or accidents. Also, consequential and incidental damages resulting from the use of this product or arising out of any breach of contract or breach of this warranty are not recoverable under this warranty. Some states do not allow the exclusion or limitation of incidental or consequential damages, so the above limitation may not apply to you.

How Do You Get Service? If repairs become necessary or spare parts are needed, please write to:

De' Longhi America Inc.
Park 80 West Plaza One, 4th floor
Saddle Brook, NJ 07663
or call Service Tel. No. 1-800-322-3848

The above warranty is in lieu of all other express warranties and representations. All implied warranties are limited to the applicable warranty period set forth above. This limitation does apply if you enter into an extended warranty with De' Longhi. Some states do not allow limitations on how long an implied warranty lasts, so the above exclusions may not apply to you. De' Longhi does not authorize any other person or company to assume for it any liability in connection with the sale or use of its appliance.

How Does State Law Apply? This warranty gives you specific legal rights, and you may also have other rights which vary from state to state.