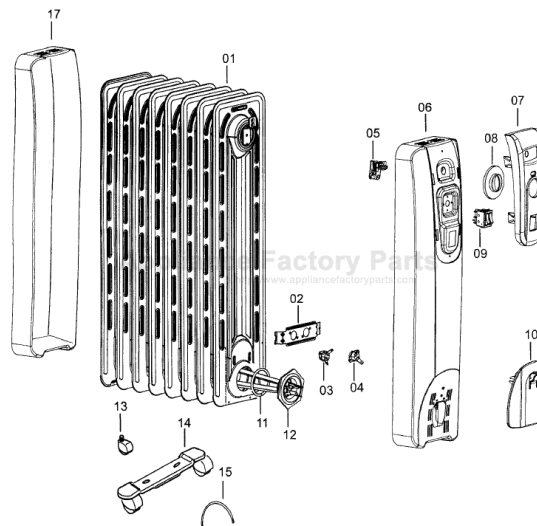


This Owner's Manual is provided and hosted by Appliance Factory Parts.



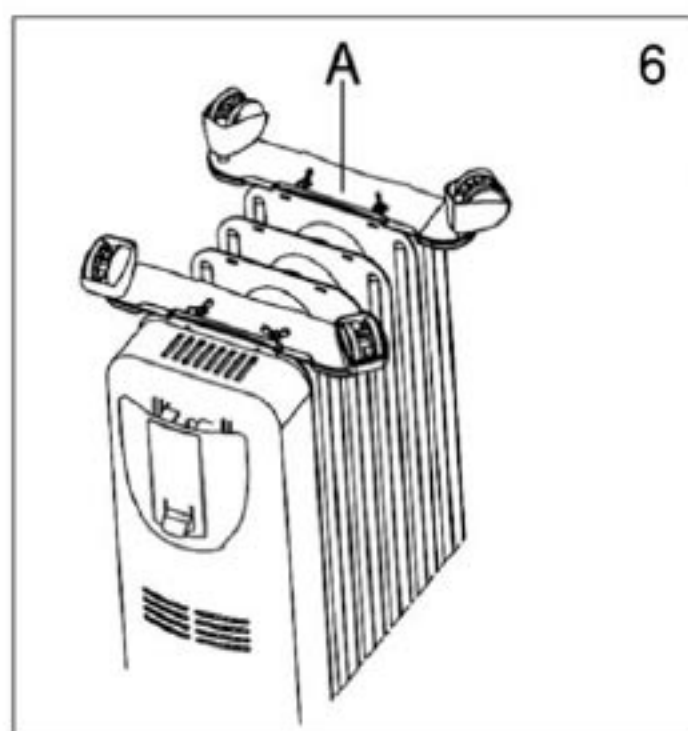
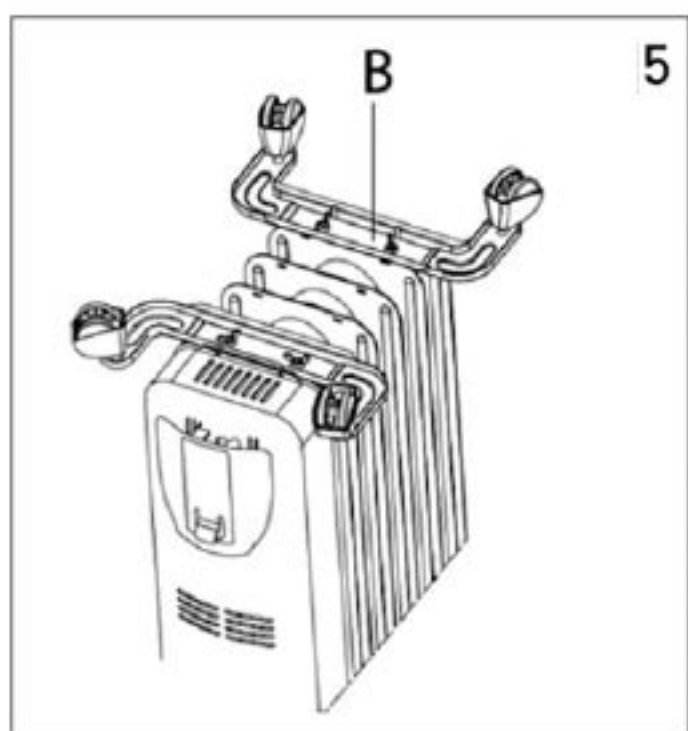
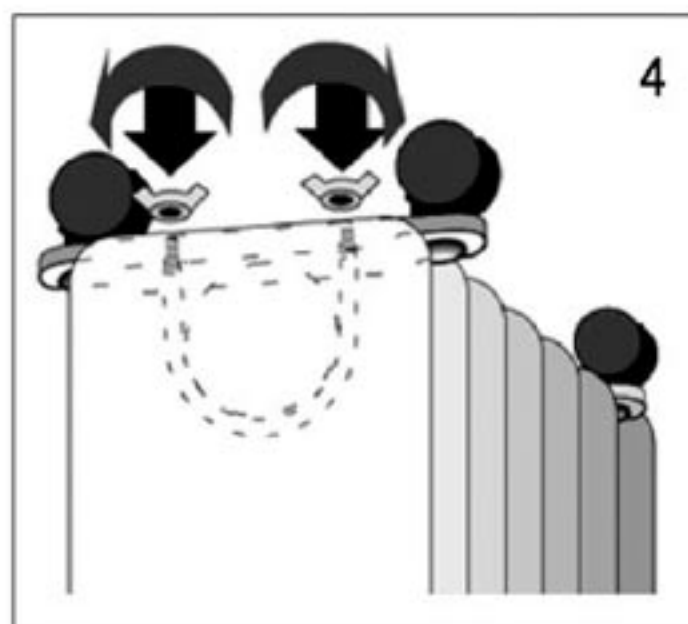
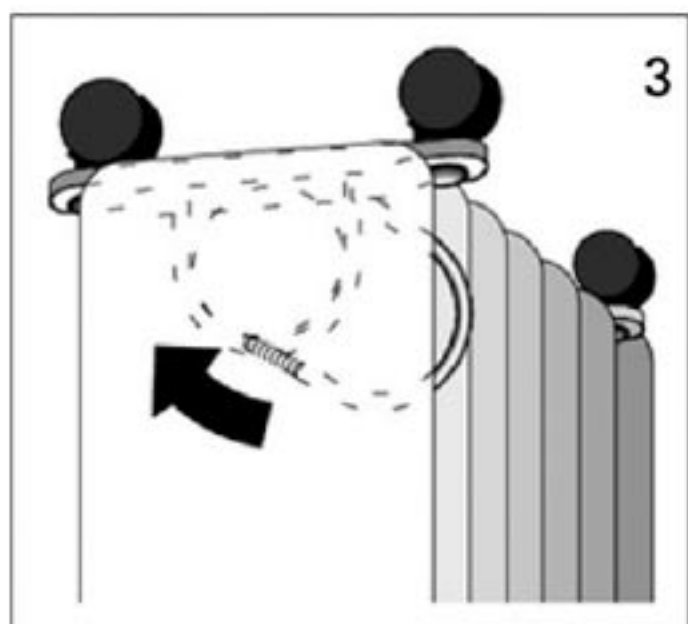
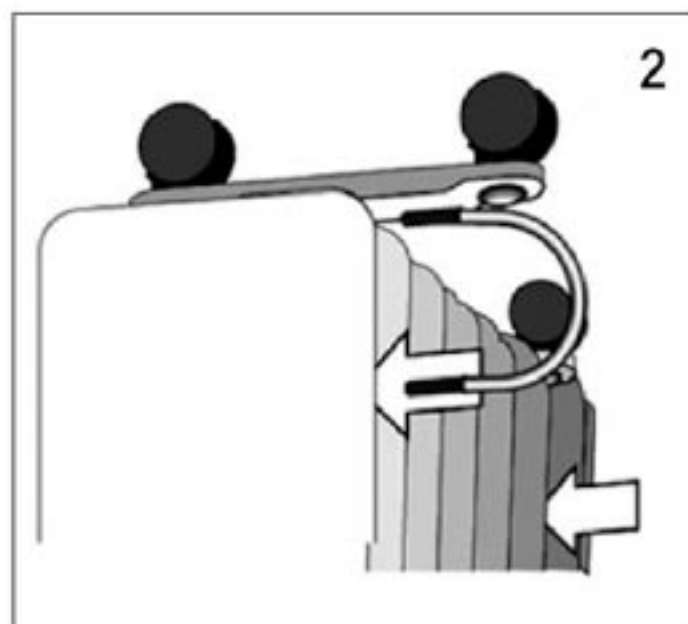
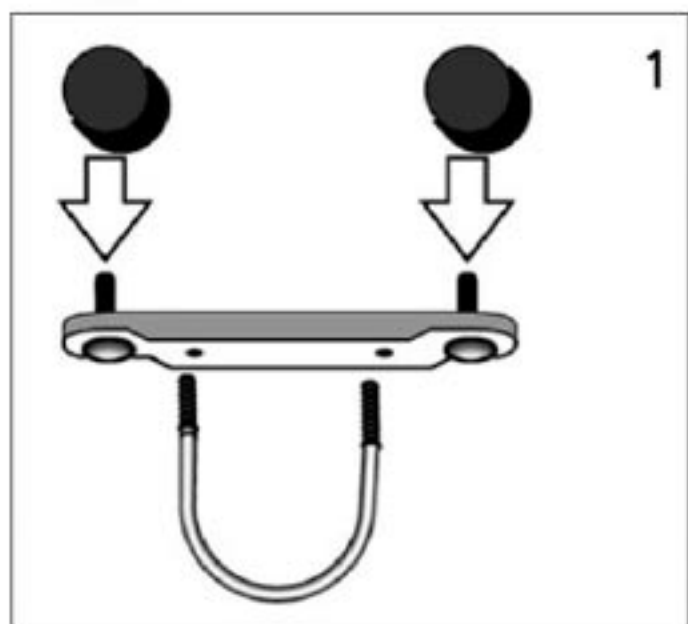
DE'LONGHI KH71220 Owner's Manual

[Shop genuine replacement parts for DE'LONGHI
KH71220](#)



[Find Your DE'LONGHI HVAC Parts - Select From 166 Models](#)

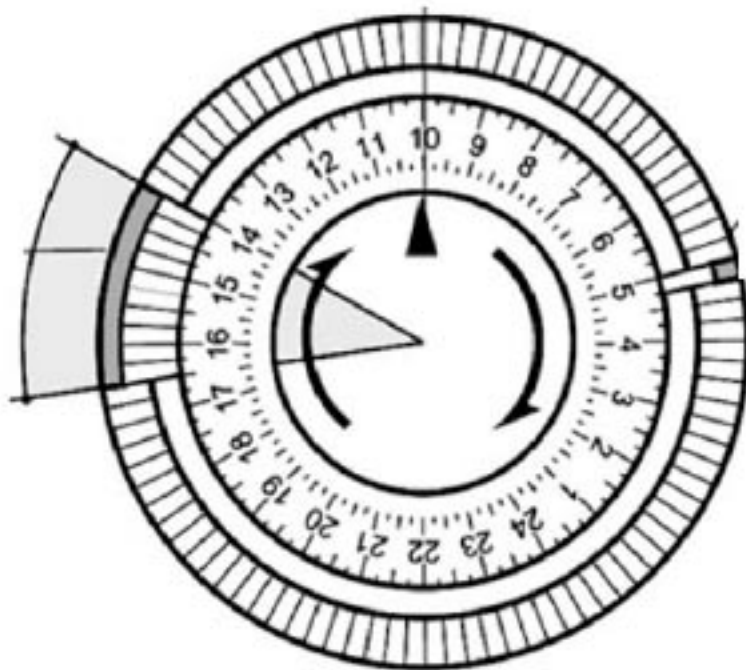
----- Manual continues below -----



7



8



1. GENERAL FEATURES

Remove the appliance from the packaging, turn upside down and rest on the polystyrene. Check that neither the appliance nor the power cable has been damaged in any way during transportation.

Do not operate the appliance if damaged

2. FITTING THE FEET

Remove the feet and the castors from the polystyrene packing.

Fit the castors to the spindles on the feet and push firmly until they click into position (fig. 1).

Pull each castor to check that it is fitted correctly.

In certain models, the castors are already mounted on the feet.

Using the threaded u-bolt and wing nuts, fit the feet to the bottom of the radiator between the last two elements as shown in figures 2, 3 and 4.

Depending on the type supplied, type A or type B, mount the feet as shown in figure 5 or 6.

Models with "Easy wheel" system

Turn the radiator upside-down on a rug or a soft surface in order to prevent damaging the paint finish. Fully unfold the castors by turning them outwards (Fig.7).

Turn the radiator back to its upright position.

IMPORTANT

When in use, the radiator should always be kept vertical (wheels at the bottom, controls at the top). Any other position could be dangerous!

3. ELECTRICAL CONNECTION

- Before plugging the radiator into the mains, check that the voltage of your mains electricity supply corresponds to the value V indicated on the appliance and that the socket and power line are appropriately dimensioned.
- CONNECT THE RADIATOR TO EFFICIENTLY EARTHED SOCKETS ONLY
- This appliance complies with EEC Directive 89/336 and D.M. 476/92, relating to electromagnetic compatibility.

4. INSTRUCTIONS FOR USE

Switching on

Plug into the mains socket. Turn the thermostat to maximum. Switch the radiator on using the switch/switches following the procedures given in points a) - b).

a) Models with single switch (1 power level):

- button in position «I» = Total power on (indicator light on);
- button in position «O» = (indicator light off)

b) Models with double switch (3 power levels)

- button in position «I» = minimum power (indicator light on);
- button in position «II» = intermediate power (indicator light on);
- both buttons in position «I» «II» = maximum power (indicator lights on)

To turn appliance off, switch off both switches or remove plug from wall socket.

Adjusting the thermostat

When the room has reached the required temperature, turn the thermostat slowly anticlockwise until the indicator light goes out (or until you hear a "click") and no further. The set temperature will then be regulated automatically and kept constant by the thermostat.

Frost protection function

With the thermostat in position * and the switches pressed, the appliance maintains the room at a temperature of about 5°C, preventing freezing with minimum energy consumption.


c) Models with a 24 hour time-clock (fig. 8)

To programme heating, proceed as follows:

- Look at the time on your clock or watch. If it is 10.00, turn the numbered timer disk clockwise until the number 10 on the disk coincides with the pointer ▲ on the timer. Set the periods of time when you want the appliance to work by pushing the teeth inwards. Each tooth corresponds to a period of 15 minutes. This will leave visible sectors which correspond to the periods of operation. When set, the radiator will operate automatically each day during the times programmed (important: the radiator must always be plugged into the socket).
- To change the programming, move the teeth back into the initial position and set the new periods of functioning.
- If you want to make the appliance operate without programming, push all the teeth into the centre. In this case, to turn the appliance off completely, as well as turning the switches off, you must also unplug it from the mains to avoid continued operation of the timer.

TURBO HEATING

Some models are fitted with a heating fan which heats the room more quickly.

To turn this function on, push the button into the  position.

Important: a safety device cuts in and switches off the appliance if it overheats due to an accumulation of dust on the air intake and output grills. To restart it, unplug from the mains and leave the appliance to cool down. Clean the air intake and output grills with a vacuum cleaner, then replug into the mains and turn on again.

5. MAINTENANCE

Before carrying out any operation on the radiator, unplug from the electric mains and wait for it to cool.

The oil-filled electric radiator requires no particular maintenance. It is sufficient to remove the dust with a soft, dry cloth. Never use abrasive powders or solvents. If necessary remove concentrations of dirt using a vacuum cleaner.

6. IMPORTANT



IMPORTANT: Never under any circumstances cover the appliance during operation as this would lead to dangerous overheating.

If this recommendation is not respected, a safety device will turn the radiator off. To reset, contact the technical assistance service.

- Never use the radiator near a bath, shower, basin or swimming pool.
- Never use the radiator to dry damp garments. Never rest the cable on hot elements.
- Use the radiator in the vertical position only.
- If the supply cord is damaged, it must be replaced by the manufacturer, its service agent or similarly qualified persons in order to avoid a hazard.
- When you start the radiator for the first time, leave it operating at maximum power for at least two hours. During this operation, ventilate the room well to eliminate the "new" smell emanating from the appliance.
- It is normal for the appliance to emit a squeaking noise when turned on for the first time.
- The appliance must never be placed immediately under a fixed mains socket.
- This radiator is filled with a precise quantity of oil and repairs which require it to be opened must be carried out exclusively by the manufacturer or an authorised service centre. In the case of oil leaks, contact the manufacturer or the authorised service centre.
- When scrapping the appliance, respect legislation on the disposal of oil.
- Do not use the appliance in rooms with a base area of less than 4 m².