

This Owner's Manual is provided and hosted by [Appliance Factory Parts](http://www.ApplianceFactoryParts.com).



# DE'LONGHI BBH100 Owner's Manual

**[Shop genuine replacement parts for DE'LONGHI  
BBH100](#)**



**[Find Your DE'LONGHI HVAC Parts - Select From 166 Models](#)**

----- Manual continues below -----

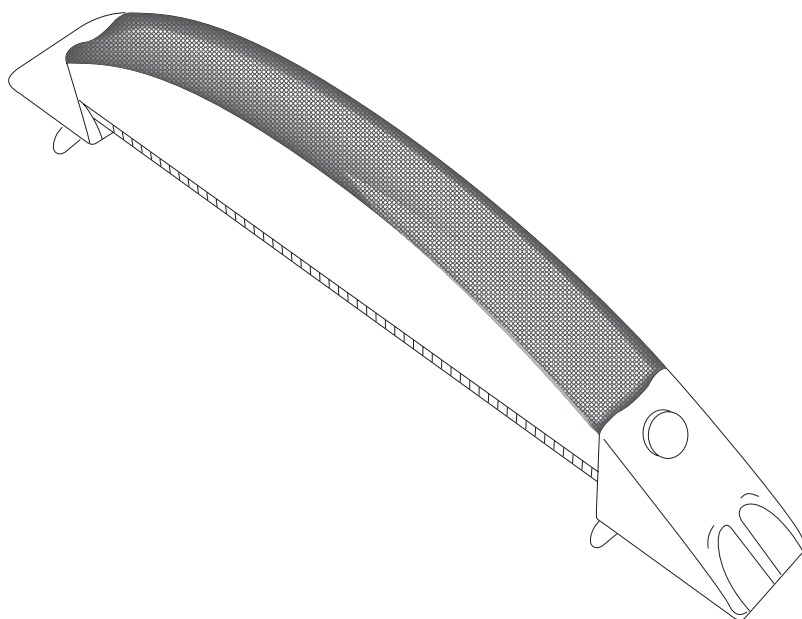


**IMPORTANT INSTRUCTIONS**

*SAVE THESE INSTRUCTIONS*

**INSTRUCCIONES IMPORTANTES**

*GUARDAR LAS INSTRUCCIONES*



**PORTABLE ELECTRIC  
BASEBOARD HEATER**

**CONVECTOR ELECTRICO  
PORTATIL CON ZOCALO**

# IMPORTANT SAFEGUARDS

When using electrical appliances, basic precautions should always be followed to reduce risk of fire, electric shock, and injury to persons, including the following:

1. Read all instructions before using this heater.
2. This heater is hot when in use. To avoid burns, do not let bare skin touch hot surfaces. Use handle when moving this heater. Keep combustible materials, such as furniture, pillows, bedding, papers, clothes, and curtains at least 3 feet (0,9 m) from the front and top of the heater and keep them away from the sides and rear.
3. Extreme caution is necessary when any heater is used by or near children or invalids and whenever the heater is left operating and unattended.
4. Always unplug heater when not in use.
5. **Do not operate any heater with a damaged cord or plug or after the heater malfunctions, has been dropped or damaged in any manner. Return heater to authorized service facility for examination, electrical or mechanical adjustment, or repair.**
6. Do not use outdoors.
7. This heater is not intended for use in bathrooms, laundry areas and similar indoor locations. Never locate heater where it may fall into a bathtub or other water container.
8. **Do not run cord under carpeting. Do not cover cord with throw rugs, runners, or the like. Arrange cord away from traffic area and where it will not be tripped over.**
9. To disconnect heater, turn controls to off, then remove plug from outlet.
10. Connect to properly polarized outlets only.
11. Do not insert or allow foreign objects to enter any ventilation or exhaust opening as this may cause an electric shock, fire, or damage the heater.
12. To prevent a possible fire, do not block air intakes or exhaust in any manner. Do not use on soft surfaces, like a bed, where openings may become blocked.
13. **A heater has hot or arcing or sparking parts inside. Do not use it in areas where gasoline, paint, or flammable liquids are used or stored.**
14. Use this heater only as described in this manual. Any other use not recommended by the manufacturer may cause fire, electric shock, or injury to persons.
15. To prevent overload and blown fuses, be sure that no other appliance is plugged into the same outlet (receptacle) or into another outlet (receptacle) wired into the same circuit.
16. It is normal for the heater's plug and cord to feel warm to the touch. A plug or cord which becomes hot to the touch or becomes distorted in shape may be a result of a worn electrical outlet (receptacle). Worn outlets or receptacles should be replaced prior to further use of the heater. Plugging heater into a worn outlet /receptacle/ may result in overheating of the power cord or fire.

17. **Do not use an extension cord because the extension cord may overheat and cause a risk of fire. However, if you have to use an extension cord, the cord shall be UL listed No. 14 AWG minimum size and rated not less than 1,875 watts, 15AMP at 125 V and has to be used only for supplying power to this heater.**
18. Be sure that the plug is fully inserted into an appropriate receptacle. Please remember that receptacles also deteriorate due to aging and continuous use: check periodically if signs of overheating or deformations are evidenced by the plug. Do not use the receptacle and CALL your electrician.
19. Check that neither the appliance nor the power cable have been damaged in any way during transportation.
20. Before connecting to electric power outlet, check your electrical power supply. It must be 120 volts A.C. (alternating current). The outlet may be 15 amp. or 20 amp. The circuit must be of adequate size and must be protected by fuse or circuit breaker. DO NOT place heater directly beneath electrical receptacle and DO NOT place heater against paper board or low density fiberboard.  
DO NOT touch hot surfaces.
21. DO NOT immerse cord, plug or heater in water or other liquid, this will cause dangerous electrical conditions and potential electrical shock.  
DO NOT obstruct the top or bottom air openings.  
Dust and lint on the heating element can obstruct the free flow of air. DO NOT operate when so obstructed.  
See MAINTENANCE. Operating with air openings obstructed could cause a dangerous condition.
22. Make sure that no pieces of polystyrene or other packaging material have been left in the appliance. It may be necessary to pass over the appliance with a vacuum cleaner.
23. When switching on the appliance for the first time, allow it to run at full power for about two hours to get rid of the unpleasant smell. Make sure that the room in which the appliance is located is well ventilated during this operation. It is normal for the appliance to emit small cracking sounds.
24. It is not advisable for the appliance to be positioned where it is exposed to draughts which might prevent it from working properly.

**SAVE THESE INSTRUCTIONS**

# HOW TO USE YOUR HEATER

Your product is equipped with a polarized alternating current line plug (a plug having one blade wider than the other). This plug will fit into the power outlet only one way. This is a safety feature. If you are unable to insert the plug fully into the outlet, try reversing the plug. If the plug should still fail to fit, contact your electrician to replace your obsolete outlet. Do not defeat the safety purpose of the polarized plug.

## 1. LOCATION

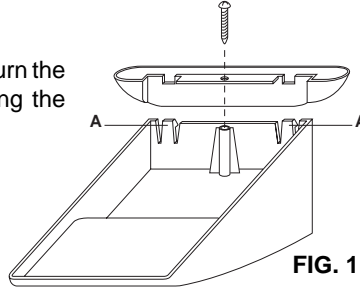
Place heater on floor beneath coldest window in the room or any desired location. Your heater will minimize the effect of cold drafts.

The heater must not be located immediately below a socket-outlet.

## 2. FASTENING THE FEET

Remove the feet and the fastening screws from the bag. Turn the appliance upside-down on a soft surface, to avoid ruining the paintwork.

Insert the feet as shown in the figure 1, making sure they are inserted completely: the teeth **A** at the bottom must be coupled to the feet. Finally, fasten the feet using the two screws.



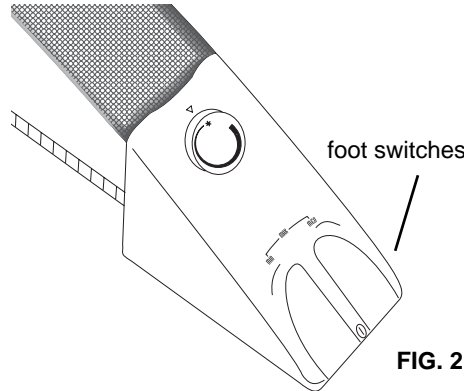
## 3. CONNECTION

The heater must be connected to a properly polarized A/C 110/120 V household outlet in perfect working conditions.

Keep loose clothing or bedding, furniture and flammable material away from the wall outlet where the heater plug is fitted in.

## 4. SWITCHING ON THE APPLIANCE (FIG. 2)

- Turn the thermostat knob in a clockwise direction until it reaches the maximum setting.
- **Heating at full power:** press both the foot switches (**min + med**). The lights will come on.
- **Heating at medium power:** press only the foot switch "**med**". Only the light "**med**" will come on.
- **Heating at minium power:** press only the foot switch "**min**". Only the light "**min**" will come on.



## 5. SETTING THE THERMOSTAT

When the room has reached the required temperature, turn slowly the thermostat knob counter-clockwise until the lights go out but no further.

Having been set in this way, the temperature will automatically be regulated and kept at a constant level by the thermostat.

## 6. ANTIFREEZE FUNCTION

Set the switch to "on" and then turn the thermostat knob to " \* " setting. When it is set in this way the appliance keeps the room at a temperature of approx. 42°F (5°C) with minimal energy expenditure.

## 7. MAINTENANCE

- Before cleaning, turn off heater, unplug from outlet and allow heater to cool.
- DO NOT immerse cord, plug or heater in water or other liquid or pour water or other liquid over heater (see IMPORTANT SAFEGUARD).
- To clean dust and lint from air openings, disconnect the heater electric cord from the wall outlet. Use the crevice tool hose attachment of a household vacuum cleaner to remove dust and lint from air openings.

To clean, pass the vacuum cleaner attachment along the grill surface. Dust the appliance with a soft, dry cloth. Never use abrasive powders or solvents. Should the appliance fail to work properly do not attempt to carry out repairs as there may be a risk of fire or electric shocks. Always contact the nearest authorized Service Center (see attached list of Service Centers).



**This warranty applies to all products with De'Longhi or Kenwood brand names.**

### **Limited Warranty**

#### **What does the warranty cover?**

We warrant each appliance to be free from defects in material and workmanship. Our obligation under this warranty is limited to repair at our factory or authorized service center of any defective parts or part thereof, other than parts damaged in transit. In the event of a products replacement or return, the unit must be returned transportation prepaid. The repaired or new model will be returned at the company expense.

This warranty shall apply only if the appliance is used in accordance with the factory directions, which accompany it, and on an Alternating current ( AC ) circuit.

#### **How long does the coverage last?**

This warranty runs for one year ( 1 ) from the purchase date found on your receipt and applies only to the original purchaser for use.

#### **What is not covered by the warranty?**

The warranty does not cover defects or damage of the appliance, which result from repairs or alterations to the appliance outside our factory or authorized service centers, nor shall it apply to any appliance, which has been subject to abuse, misuse, negligence or accidents. Also, consequential and incidental damage resulting from the use of this product or arising out of any breach of contract or breach of this warranty are not recoverable under this warranty. Some states do not allow the exclusion or limitation of incidental or consequential damage, so the above limitation may not apply to you.

#### **How do you get service?**

If repairs become necessary, see contact information below:

U.S. Residents:

Please contact our toll free hotline at **1-800-322-3848** or log onto our website at [www.delonghi.com](http://www.delonghi.com).

For all accessories, spare parts or replacement parts, please contact our parts division at **1-800-865-6330**.

Residents of Canada: Please contact our toll free hotline at **1-888-335-6644** or log onto our website at [www.delonghi.com](http://www.delonghi.com).

**Residents of Mexico:** Please refer to the Limited Warranty statement for Mexico.

Please refer to the back page of the manual for De'Longhi addresses.

The above warranty is in lieu of all other express warranties and representations. All implied warranties are limited to the applicable warranty period set forth above. This limitation does not apply if you enter into an extended warranty with De'Longhi. Some states do not allow limitations on how long an implied warranty lasts, so the above exclusions may not apply to you. De'Longhi does not authorize any other person or company to assume for it any liability in connection with the sale or use of its appliance.

#### **How does state law apply?**

This warranty gives you specific legal rights, and you may also have other rights, which vary from state to state.