

This Owner's Manual is provided and hosted by [Appliance Factory Parts](#).



DE'LONGHI CH15 Owner's Manual

[Shop genuine replacement parts for DE'LONGHI CH15](#)

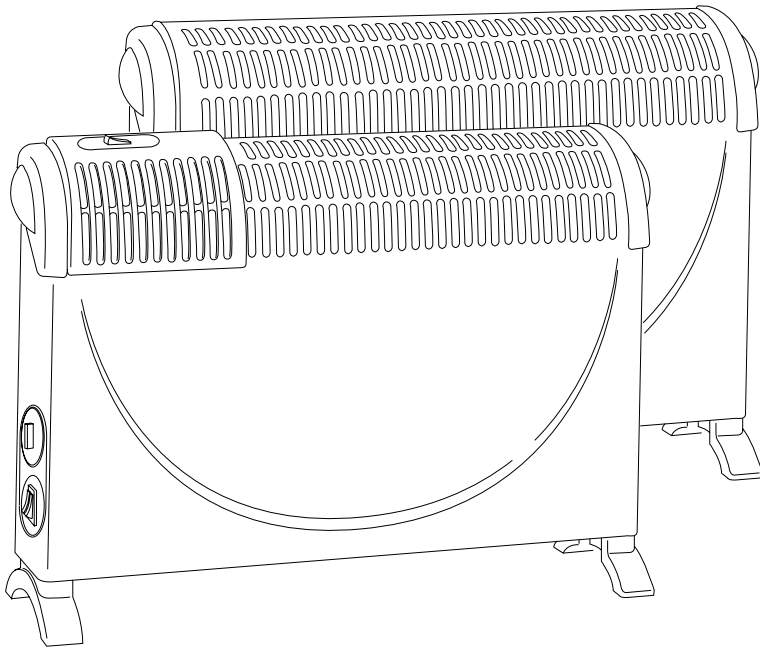


[Find Your DE'LONGHI HVAC Parts - Select From 166 Models](#)

----- Manual continues below -----



**IMPORTANT INSTRUCTIONS
SAVE THESE INSTRUCTIONS
INSTRUCCIONES IMPORTANTES
GUARDE ESTAS INSTRUCCIONES**



**ELECTRIC CONVECTOR HEATER
TERMOCONVECTOR ELECTRICO**

IMPORTANT SAFEGUARDS

When using electrical appliances, basic precautions should always be followed to reduce risk of fire, electric shock, and injury to persons, including the following:

1. Read all instructions before using this heater.
2. This heater is hot when in use. To avoid burns, do not let bare skin touch hot surfaces. Use handle when moving this heater. Keep combustible materials, such as furniture, pillows, bedding, papers, clothes, and curtains at least 3 feet (0,9 m) from the front and top of the heater and keep them away from the sides and rear.
3. Extreme caution is necessary when any heater is used by or near children or invalids and whenever the heater is left operating and unattended.
4. Always unplug heater when not in use.
5. **Do not operate any heater with a damaged cord or plug or after the heater malfunctions, has been dropped or damaged in any manner. Return heater to authorized service facility for examination, electrical or mechanical adjustment, or repair.**
6. Do not use outdoors.
7. This heater is not intended for use in bathrooms, laundry areas and similar indoor locations. Never locate heater where it may fall into a bathtub or other water container.
8. **Do not run cord under carpeting. Do not cover cord with throw rugs, runners, or the like. Arrange cord away from traffic area and where it will not be tripped over.**
9. To disconnect heater, turn controls to off, then remove plug from outlet.
10. Connect to properly polarized outlets only.
11. Do not insert or allow foreign objects to enter any ventilation or exhaust opening as this may cause an electric shock, fire, or damage the heater.
12. To prevent a possible fire, do not block air intakes or exhaust in any manner. Do not use on soft surfaces, like a bed, where openings may become blocked.
13. **A heater has hot or arcing or sparking parts inside. Do not use it in areas where gasoline, paint, or flammable liquids are used or stored.**
14. Use this heater only as described in this manual. Any other use not recommended by the manufacturer may cause fire, electric shock, or injury to persons.
15. To prevent overload and blown fuses, be sure that no other appliance is plugged into the same outlet (receptacle) or into another outlet (receptacle) wired into the same circuit.
16. It is normal for the heater's plug and cord to feel warm to the touch. A plug or cord which becomes hot to the touch or becomes distorted in shape may be a result of a worn electrical outlet (receptacle). Worn outlets or receptacles should be replaced prior to further use of the

heater. Plugging heater into a worn outlet /receptacle/ may result in overheating of the power cord or fire.

17. **Do not use an extension cord because the extension cord may overheat and cause a risk of fire. However, if you have to use an extension cord, the cord shall be UL listed No. 14 AWG minimum size and rated not less than 1875 watts, ISAMP at 125 V and has to be used only for supplying power to this heater.**
18. Be sure that the plug is fully inserted into an appropriate receptacle. Please remember that receptacles also deteriorate due to aging and continuous use: check periodically if signs of overheating or deformations are evidenced by the plug. Do not use the receptacle and CALL your electrician.
19. Check that neither the appliance nor the power cable have been damaged in any way during transportation.
20. Before connecting to electric power outlet, check your electrical power supply. It must be 120 volts A.C. (alternating current). The outlet may be 15 amp. or 20 amp. The circuit must be of adequate size and must be protected by fuse or circuit breaker. DO NOT place heater directly beneath electrical receptacle and DO NOT place heater against paper board or low density fiberboard.
DO NOT touch hot surfaces.
DO NOT immerse cord, plug or heater in water or other liquid, or pour this will cause dangerous electrical conditions and potential electrical shock.
DO NOT obstruct the top or bottom air openings.
Dust and lint on the heating element can obstruct the free flow of air. DO NOT operate when so obstructed.
Operating with air openings obstructed could cause a dangerous condition.
22. Make sure that no pieces of polystyrene or other packaging material have been left into the appliance. It may be necessary to pass over the appliance with a vacuum cleaner.
23. When switching on the appliance for the first time, allow it to run at full power for about 1 hour to get rid of the unpleasant smell. Make sure that the room in which the appliance is located is well ventilated during this operation.
24. It is not advisable for the appliance to be positioned where it is exposed to draughts which might prevent it from working properly.

SAVE THESE INSTRUCTIONS

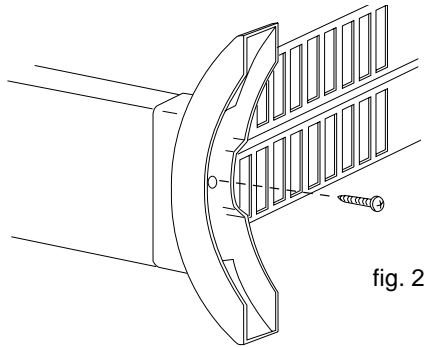
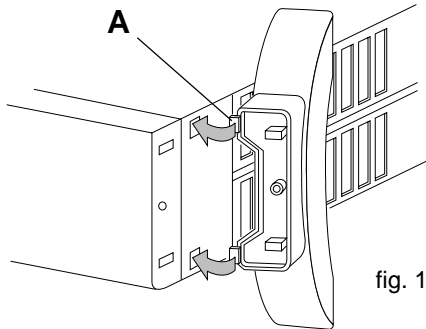
HOW TO USE YOUR HEATER

FEET ASSEMBLING

Remove the feet from the packing.

Fit the feet to the appliance as follows:

- 1 Insert the anchor pins (A) into the slots and turn the foot until it clicks into position (fig. 1).
- 2 Fasten the feet in position using the screw (fig. 2).



BE CAREFUL

Operate the heater in upright position only.

Any other position could create hazard situation!

The appliance is fitted with a tilt-switch which turns the appliance off if it should fall over. To restart the appliance, simply place it upright again.

LOCATION

Place heater on floor beneath coldest window in the room or any desired location. Your heater will minimize the effect of cold drafts.

The heater must not be located immediately below a socket-outlet.

SWITCHING HEATER ON

The heater must be connected to a properly polarized A/C 110/120 V household outlet in perfect working conditions.

Keep loose clothing or bedding, furniture and flammable material away from the wall outlet where the heater plug is fitted in.

Turn the thermostat knob clockwise to the highest setting and push one or both switches on. Pilot lights will go on, indicating that unit is operating.

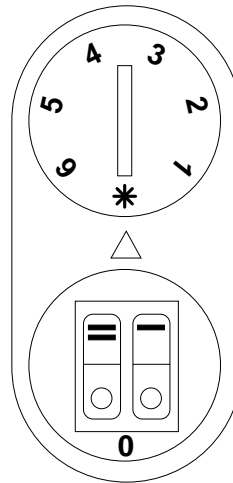
REMINDER

To completely shut unit off, both switches must be placed in "0" position (lights off).

THERMOSTAT OPERATING

The thermostat operates on room air temperature and not heater temperature. Counter clockwise direction - lower number, lower temperature. Clockwise direction - higher number, higher temperature.

Switch your heater on as shown in the previous paragraph. When your room reaches a comfortable temperature, turn thermostat knob back gradually until you hear a "click" and not

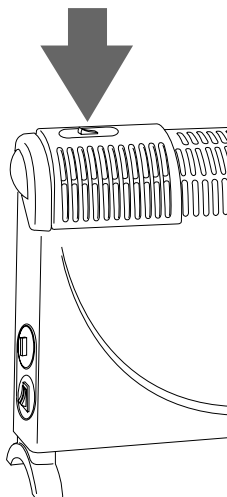


further. Keep thermostat at this setting for future use. When temperature drops below your selected temperature, the heater switches on automatically until the room again reaches the set temperature. Room comfort is thus maintained with minimum use of electricity.

MODEL WITH FAN

Proceed as follows:

- as **warm ventilation** during cold months, by pushing on the fan switch (see figure), along with one or both switches. Your fan will propel the heat instantly.
- as cold ventilation simply turning clockwise the thermostat knob to its maximum position and without pushing on the switches, but the fan switch. Your fan will refresh room-air circulation.



MAINTENANCE AND SERVICE

Disconnect electric and allow the heater to cool. Wipe with a soft damp cloth, do not use detergents and abrasives.

Should the heater not be in use over a certain length of time, keep it in a dry place. This appliance has been built to give many years of trouble free service.

In case of malfunction or doubt, do not try to repair the heater yourself. Call nearest Service Centre (see attached list of Service Centers).



Limited Warranty

What Does This Warranty Cover? We warrant each appliance to be free from defects in material and workmanship. Our obligation under this warranty is limited to replacement or repair, free of charge at our factory or authorized service centers, of any defective part or parts thereof other than parts damaged in transit, which shall be returned to us, transportation prepaid. This warranty shall apply only if the appliance is used in accordance with the factory directions which accompany it, and on an Alternating Current (AC) circuit.

How Long Does The Coverage Last? This warranty runs for one year from the date of delivery and applies only to the original purchaser for use.

What Does This Warranty Not Cover? This warranty does not cover defects or damage of the appliance which result from repairs or alterations to the appliance outside our factory or authorized service centers, nor shall it apply to any appliance which has been subject to abuse, misuse, negligence or accidents. Also, consequential and incidental damages resulting from the use of this product or arising out of any breach of contract or breach of this warranty are not recoverable under this warranty. Some states do not allow the exclusion or limitation of incidental or consequential damages, so the above limitation may not apply to you.

How Do You Get Service? If repairs become necessary or spare parts are needed, please write to:

De' Longhi America Inc.
625, Washington Avenue
Carlstadt, N.J. 07072
or call Service Tel. No. 1-800-322-3848

The above warranty is in lieu of all other express warranties and representations. All implied warranties are limited to the applicable warranty period set forth above. This limitation does apply if you enter into an extended warranty with De' Longhi. Some states do not allow limitations on how long an implied warranty lasts, so the above exclusions may not apply to you. De' Longhi does not authorize any other person or company to assume for it any liability in connection with the sale or use of its appliance.

How Does State Law Apply? This warranty gives you specific legal rights, and you may also have other rights which vary from state to state.