

This Owner's Manual is provided and hosted by [Appliance Factory Parts](#).



DE'LONGHI RFH9030 Owner's Manual

[Shop genuine replacement parts for DE'LONGHI
RFH9030](#)



[Find Your DE'LONGHI HVAC Parts - Select From 166 Models](#)

----- Manual continues below -----



DeLonghi

FAN HEATER
INSTRUCTIONS FOR USE
SAVE THESE INSTRUCTIONS

R

Type/Modèle/Modelo
RFH9030



Mode selector

Indicator light

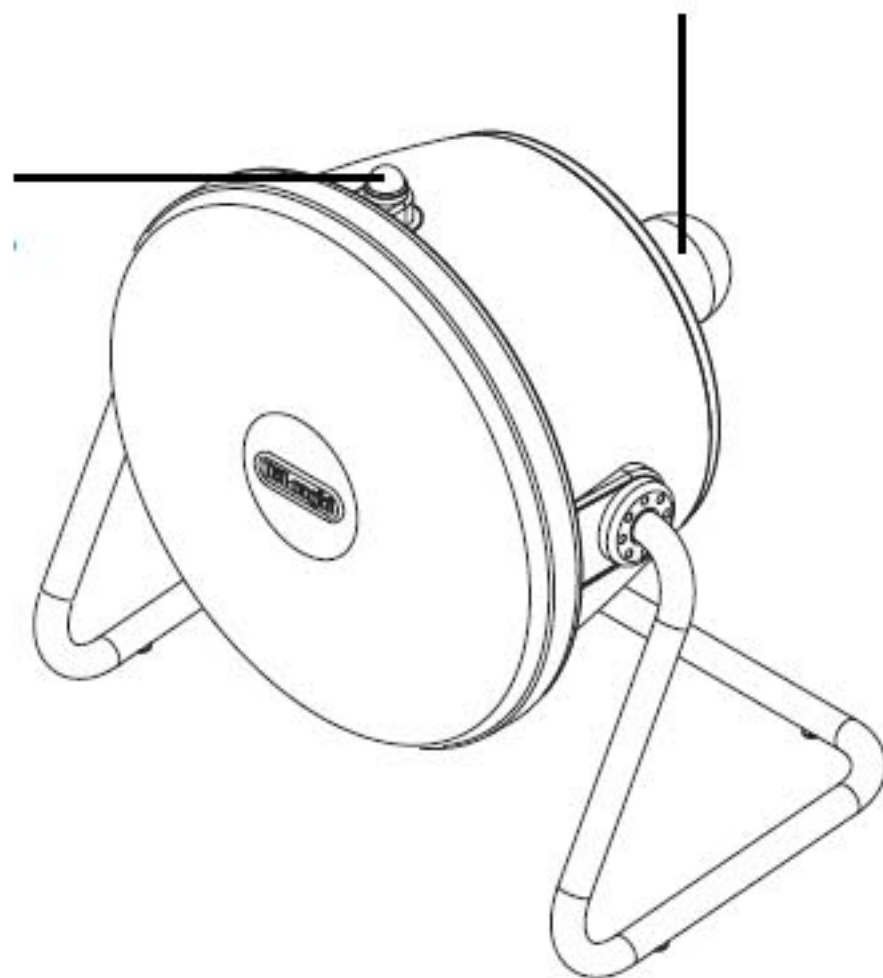


Fig. 1

Pos. 1

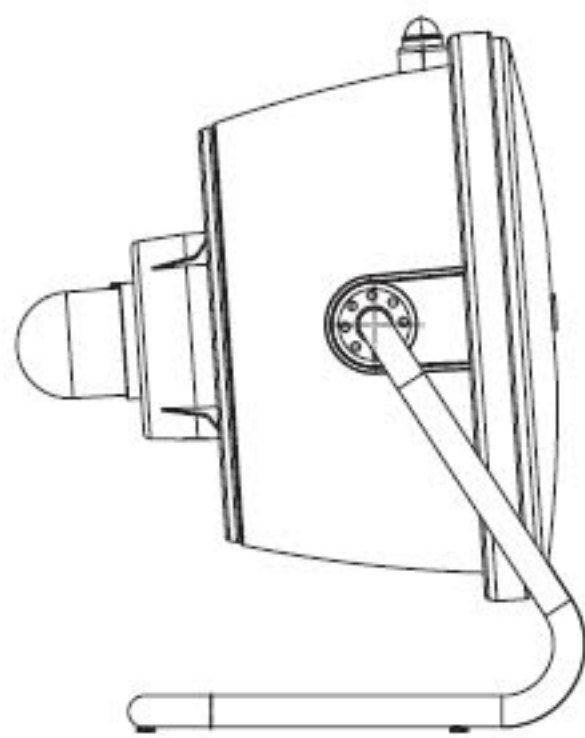
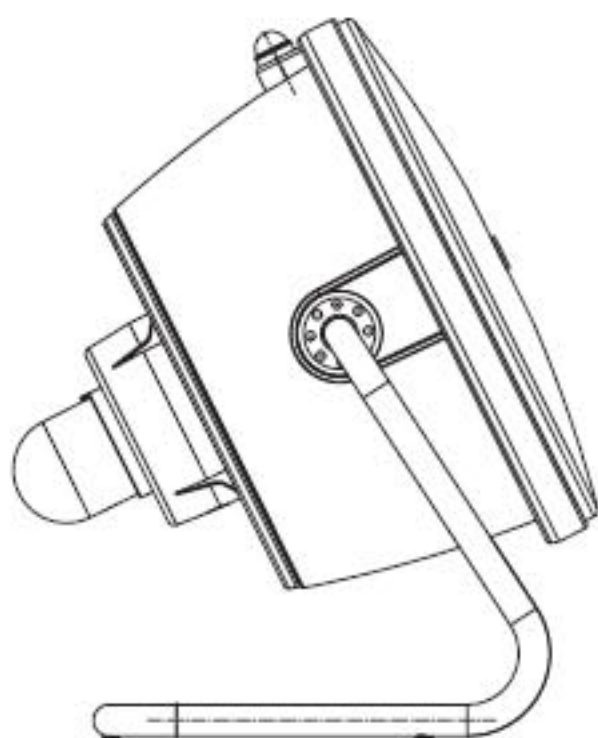


Fig. 2

IMPORTANT SAFEGUARDS

When using electrical appliances, basic precautions should always be followed to prevent fire, electric shock, and injury to persons, including the following:

1. Read all instructions before using the appliance.
2. This appliance is hot when in use. To avoid burns, do not let bare skin touch the heater. Use handle when moving this heater. Keep combustible materials, such as bedding, papers, clothes and curtains at least 3 feet (0,9 m) from the heater and keep them away from the sides and rear.
3. Extreme caution is necessary when any appliance is used by or near children. Never leave the heater left operating and unattended.
4. Always unplug appliance when not in use.
5. **Do not operate any appliance with a damaged cord or plug or after the cord or plug has been dropped or damaged in any manner. Return heater to a qualified service facility for examination, electrical or mechanical adjustment, or repair.**
6. Do not use outdoors.
7. This heater is not intended for use in bathrooms, laundry areas and other wet locations. Never place appliance where it may fall into a bathtub or other water.
8. **Do not run cord under carpeting. Do not cover cord with throw rugs, mats or mats. Arrange cord away from traffic area and where it will not be tripped over.**
9. To disconnect the appliance, turn controls to off, then remove plug from outlet.
10. Connect to properly polarized outlets only.
11. Do not insert or allow foreign objects to enter any ventilation opening. This may cause electric shock, fire or damage the appliance.
12. To prevent a possible fire, do not block air intakes or exhaust in any manner. Do not use on soft surfaces, like a bed, where openings may become blocked.
13. **A fan heater has hot or arcing or sparking parts inside. Do not use in areas where gasoline, paint, or flammable liquids are used or stored.**
14. Use this appliance only as described in this manual. Any other use not intended by the manufacturer may cause fire, electric shock, or injury to persons.
15. To prevent overload and blown fuses, be sure that no other appliances are plugged into the same outlet (receptacle) or into another outlet (receptacle) wired into the same circuit.
16. It is normal for the heater's plug and cord to feel warm to the touch. A plug or cord that is hot to the touch is a sign of a problem. If you notice a hot plug or cord, stop using the heater immediately and contact a qualified service technician for assistance.

ELECTRICAL CONNECTION



- Before using the appliance check that your supply voltage is the same rating label of the unit.

INSTALLATION

The appliance can be used as a portable unit only, resting on any horizontal

The appliance must not be positioned directly underneath a fixed power point

OPERATION

- **Summer use (ventilation only):** turn the mode selector clockwise to the  position. The fan switches on.
- **Heating at low power:** turn the mode selector to the 1 position.
- **Heating at maximum power:** turn the mode selector to the 2 position.
- **Setting the mode selector:** when the room temperature has reached the desired level, turn the mode selector counter-clockwise until the indicator light goes out but no further. The appliance will automatically maintain the temperature at the desired level.
- **Anti-freeze function**
With the mode selector in the thermostat position , the appliance maintains a minimum of 5 degrees C (41 degrees F) thus preventing freezing with minimal energy consumption.
- **Switching the heater off:** turn the mode selector fully counter-clockwise to the "0" position.
To direct the air flow in the required direction, tilt the appliance manually to one of the 2 positions (see fig. 2/3).

MAINTENANCE

- Always unplug the appliance before cleaning the heater.
- **Periodically clean the air intake and outtake grille during the period in use.**
- Do not use abrasive cleaning products or solvents.

CAUTION

- Do not use this heater in the immediate proximity of showers, bathtubs, etc.
- Always use the heater in an upright position.
- Do not use the heater to dry your laundry. Never obstruct the intake and outtake grilles (risk of overheating).
- The heater must be positioned at least 50 cm (20 inches) from furniture or other objects.
- Do not use the appliance close to walls, furniture, curtains etc.
- If the power cable is damaged, it must be replaced by the manufacturer, service center or a qualified electrician in order to eliminate all risk.



LIMITED WARRANTY

This warranty applies to all products with De'Longhi or Kenwood brand name.

Limited Warranty

What does the warranty cover?

We warrant each appliance to be free from defects in material and workmanship. Our obligation under this warranty is limited to repair at our factory or authorized service center of any defective appliance, other than parts damaged in transit. In the event of a product replacement or repair, the original product must be returned transportation prepaid. The repaired or new model will be returned at no charge, less the shipping expense.

This warranty shall apply only if the appliance is used in accordance with the factory directions and the instructions that accompany it, and on an Alternating current (AC) circuit.

How long does the coverage last?

This warranty runs for one year (1) from the purchase date found on your receipt and applies only to the original purchaser for use.

What is not covered by the warranty?

The warranty does not cover defects or damage of the appliance, which result from repairs or modifications to the appliance outside our factory or authorized service centers, nor shall it cover damage to the appliance, which has been subject to abuse, misuse, negligence or accidents. Also, consequential damage resulting from the use of this product or arising out of any breach of this warranty are not recoverable under this warranty. Some states do not allow for limitation of incidental or consequential damage, so the above limitation may not apply in those states.

How do you get service?

If repairs become necessary, see contact information below:

U.S. Residents:

Please contact our toll free hotline at **1-800-322-3848** or log onto our website at www.delonghi.com. For all accessories, spare parts or replacement parts, please contact our parts division at **1-800-451-3848**.

Residents of Canada: Please contact our toll free hotline at **1-888-335-6644** or log onto our website at www.delonghi.com.

Residents of Mexico: Please refer to the Limited Warranty statement for Mexico.