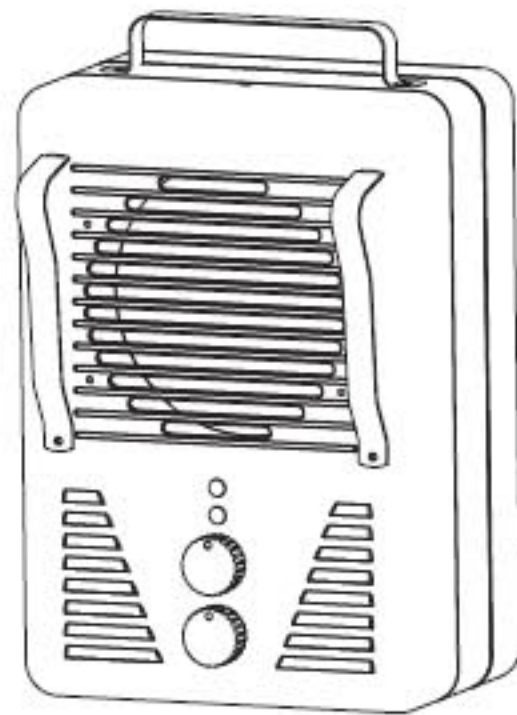




**FAN HEATER
INSTRUCTION MANUAL
SAVE THESE INSTRUCTIONS**



Type/Modèle/Modelo/Modello
DUH 301

Register this product on-line and receive a free trial issue of Cook's Illustrated. Visit www.prodregister.com/delonghi. Visit www.delonghi.com for a list of service centers near you. (U.S. Only).

CARACTERISTICAS ELECTRICAS
120V-60Hz 1500W

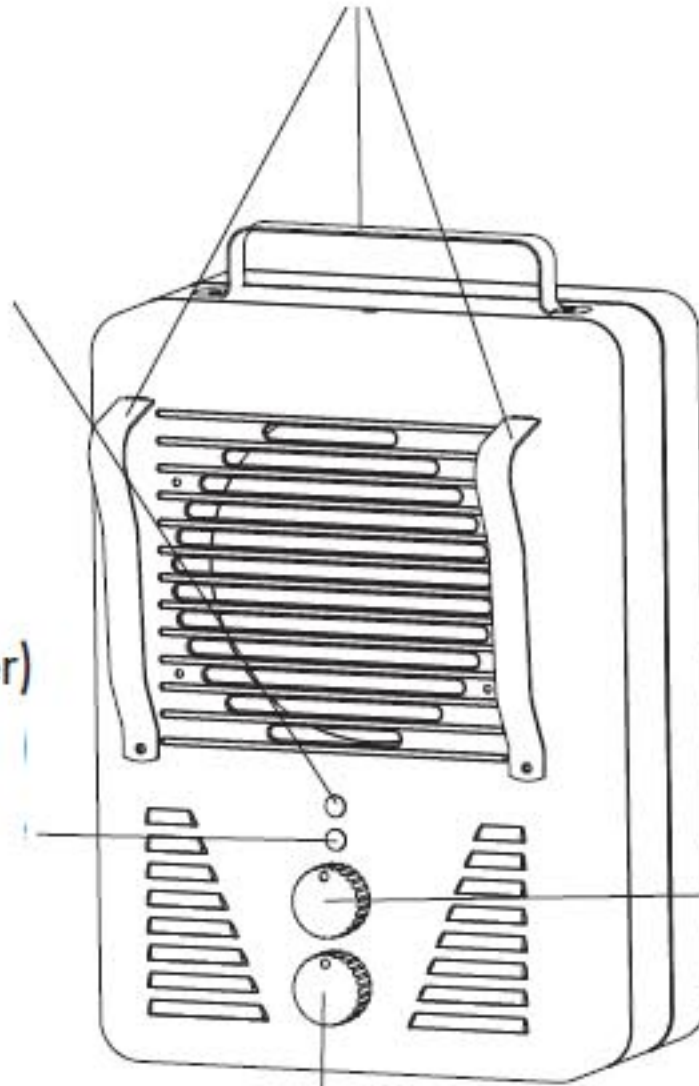
Carry handle

Overheat Safety
Light (Red)

Power indicator Light (Amber)

Function Selector

Thermostat Control





IMPORTANT SAFEGUARDS

When using electrical appliances, basic precautions should always be followed to reduce risk of fire, electric shock, and injury to persons, including the following:

1. Read all instructions before using the appliance.
2. This appliance is hot when in use. To avoid burns, do not let bare skin touch hot surfaces. Use handle when moving this heater. Keep combustible materials, such as furniture, pillows, bedding, papers, clothes and curtains at least 3 feet (0,9 m) from the front and top of the heater and keep them away from the sides and rear.
3. Extreme caution is necessary when any appliance is used by or near children or invalids and whenever the heater is left operating and unattended.
4. Always unplug appliance when not in use.
5. **Do not operate any appliance with a damaged cord or plug or after the appliance malfunctions, has been dropped or damaged in any manner. Return heater to authorized service facility for examination, electrical or mechanical adjustment, or repair.**
6. Do not use outdoors.
7. This heater is not intended for use in bathrooms, laundry areas and similar indoor locations. Never locate appliance where it may fall into a bathtub or other water container.
8. **Do not run cord under carpeting. Do not cover cord with throw rugs, runners, or the like. Arrange cord away from traffic area and where it will not be tripped over.**
9. To disconnect the appliance, turn controls to off, then remove plug from outlet.
10. Connect to properly polarized outlets only.
11. Do not insert or allow foreign objects to enter any ventilation opening as this may cause an electric shock, fire or damage the appliance.
12. To prevent a possible fire, do not block air intakes or exhaust in any manner. Do not use on soft surfaces, like a bed, where openings may become blocked.
13. **A fan heater has hot or arcing or sparking parts inside. Do not use it in areas where gasoline, paint, or flammable liquids are used or stored.**
14. Use this appliance only as described in this manual. Any other use not recommended by the manufacturer may cause fire, electric shock, or injury to persons.
15. To prevent overload and blown fuses, be sure that no other appliance is plugged into the same outlet (receptacle) or into another outlet (receptacle) wired into the same circuit.
16. It is normal for the heater's plug and cord to feel warm to the touch. A plug or cord which becomes hot to the touch or becomes distorted in shape may be a result of a worn electrical outlet (receptacle). Worn outlets or receptacles should be replaced prior to further use of the heater. Plugging heater into a worn outlet/receptacle/ may result in overheating of the power cord or fire.
17. **Do not use an extension cord because the extension cable may overheat and cause a risk of fire. However, if you have to use an extension cable, the cable shall be no. 14 AWG minimum size and rated not less than 1875 watts, and has to be used only for supplying power to this appliance.**
18. Be sure that the plug is fully inserted into an appropriate receptacle. Please remember that receptacles also deteriorate due to aging and continuous use: check periodically if signs overheating or deformations are evidenced by the plug. Do not use the receptacle and **CALL** your electrician.

19. Check that neither the appliance nor the power cable have been damaged in any way during transportation.
20. **CAUTION:** to prevent electric shock match wide blade of plug to wide slot, fully insert.
21. Do not cover the appliance while it is functioning in order to avoid overheating with the attendant risk of fire.

SAVE THESE INSTRUCTIONS

Your product is equipped with a polarized alternating current line plug (a plug having one blade wider than the other). This plug will fit into the power outlet only one way. This is a safety feature. If you are unable to insert the plug fully into the outlet, try reversing the plug. If the plug should still fail to fit, contact your electrician to replace your obsolete outlet. Do not defeat the safety purpose of the polarized plug.

Voltage Wattage	See rating label
-----------------	------------------

CAUTION

- This heater includes a thermal Cut-Off Overheat Protection System that shuts the unit off if it overheats due to abnormal conditions. If this occurs, the Overheat safety light "red" will turn on. Turn the heater "Off", unplug it, and inspect and remove any objects on or adjacent to the heater. Allow it to cool for a few minutes, plug it back in, and resume normal operation.
- Always use the heater in an upright position.
- Do not use the heater to dry your laundry. Never obstruct the intake and outlet grilles (danger of overheating).
- The appliance must be installed so that the switches and other controls cannot be reached from a person standing in a bathtub or a shower.
- The electrical feed cord must be replaced only by officially authorized personnel.

ELECTRIC POWER CONNECTION


The fan heater must be connected to a properly polarized A/C 110/120 V household outlet in perfect working condition.

Keep loose clothing or bedding, furniture and flammable material away from the wall outlet where the heater is plugged in.

INSTALLATION

The fan heater can be easily positioned on any horizontal support surface in an upright position.

OPERATION

- Turn the thermostat knob in a clockwise direction until it reaches the maximum setting.
- **Summer service (ventilation only):** turn the function selector knob to setting  (the pilot light amber is in "on position").
- **Heating at reduced power:** turn the function selector knob to setting 1.
- **Heating at full power:** turn the function selector knob to setting 2.
- **Switching off:** turn the function selector knob to setting 0.

- **Setting the thermostat:**

When the room has reached the desired temperature, turn the thermostat knob slowly in an anti-clockwise direction until the pilot light turns off and not beyond it. The thermostat will then adjust that set temperature automatically and keep it constant.

- **Anti-freeze function**

Turn the function selector knob to setting 2, then turn the thermostat knob to setting * . When it is set in this way the appliance keeps the room at a temperature of approx. 41° F (5° C) with minimal energy expenditure.

- **Switching the appliance off:** turn the function selector in position "OFF" and the thermostat in the * position, then remove the plug from the electrical outlet.

- **Additional features:** Front Safety Guards- prevent the front grill from touching the floor when the heater is tipped over forward.

- Convenient Carry Handle-allows for easy transport from room to room.

MAINTENANCE AND SERVICE

Always remove the plug from the power socket and allow the heater to cool. After the heater has cooled, clean it with a soft damp cloth, do not use detergents or abrasives. Periodically clean the air intake and outlet grilles during the period in which the heater is in use with a vacuum cleaner.

Should the heater not be in use over a certain length of time, store it in a dry place.

This appliance has been built to provide many years of trouble free service.

In case of malfunction, do not try to repair the heater yourself: it may result in fire hazard or electric shock. Call the nearest Service Center (see attached list of Service Centers).

ATTENTION

A safety device switches the fan heater off if it accidentally overheats. To reset the unit for normal operation, remove the plug from the mains socket for a few minutes, eliminate the cause of overheating (e.g. air intake or outlet grilles obstructed) and then plug the fan heater back in again.

Contact your nearest Service Center if the fan heater does not begin normal operation again.

The appliance is equipped with a double tip-over-switch for extra safety. This device turns the appliance off should it fall over or if it is not perfectly stable. To restart the appliance, simply place it upright again.



LIMITED WARRANTY

This warranty applies to all products with De'Longhi or Kenwood brand names.

What does the warranty cover?

We warrant each appliance to be free from defects in material and workmanship. Our obligation under this warranty is limited to repair at our factory or authorized service center of any defective parts or part thereof, other than parts damaged in transit. In the event of a products replacement or return, the unit must be returned transportation prepaid. The repaired or new model will be returned at the company expense.

This warranty shall apply only if the appliance is used in accordance with the factory directions, which accompany it, and on an Alternating current (AC) circuit.

How long does the coverage last?

This warranty runs for one year (1) from the purchase date found on your receipt and applies only to the original purchaser for use.

What is not covered by the warranty?

The warranty does not cover defects or damage of the appliance, which result from repairs or alterations to the appliance outside our factory or authorized service centers, nor shall it apply to any appliance, which has been subject to abuse, misuse, negligence or accidents. Also, consequential and incidental damage resulting from the use of this product or arising out of any breach of contract or breach of this warranty are not recoverable under this warranty. Some states do not allow the exclusion or limitation of incidental or consequential damage, so the above limitation may not apply to you.

How do you get service?

If repairs become necessary, see contact information below:

U.S. Residents:

Please contact our toll free hotline at **1-800-322-3848** or log onto our website at www.delonghi.com.

For all accessories, spare parts or replacement parts, please contact our parts division at **1-800-865-6330**.

Residents of Canada: Please contact our toll free hotline at **1-888-335-6644** or log onto our website at www.delonghi.com.

Residents of Mexico: Please refer to the Limited Warranty statement for Mexico.

Please refer to the back page of the manual for De'Longhi addresses.

The above warranty is in lieu of all other express warranties and representations. All implied warranties are limited to the applicable warranty period set forth above. This limitation does not apply if you enter into an extended warranty with De'Longhi. Some states do not allow limitations on how long an implied warranty lasts, so the above exclusions may not apply to you. De'Longhi does not authorize any other person or company to assume for it any liability in connection with the sale or use of its appliance.

How does state law apply?

This warranty gives you specific legal rights, and you may also have other rights, which vary from state to state.